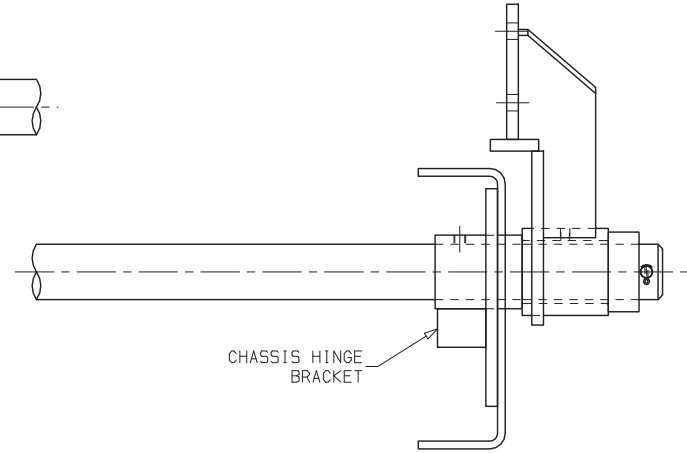


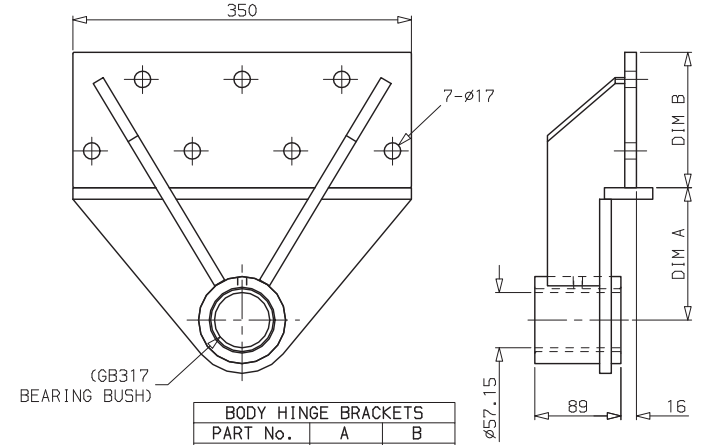
**HINGE WITH CHASSIS SUBFRAME**

FIT COLLAR COA18 AS SHOWN. HINGE BAR DRILLED ON ASSEMBLY TO SUIT PIN BH8. SECURE USING SPLIT PINS KP8 BOTH SIDES. SUBFRAME HINGE BOSS BC2/148 WELDED INSIDE SUBFRAME. LOCK HINGE BAR THROUGH BOSS WITH M12 BOLT. BODY BRACKETS BOLTED OUTSIDE BODY RUNNERS.

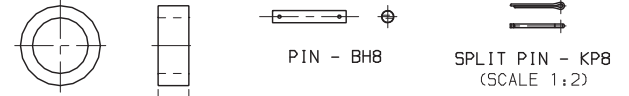


**HINGE INTEGRAL WITH CHASSIS FRAME**

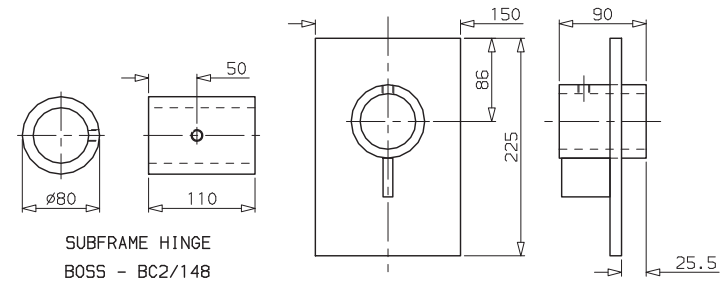
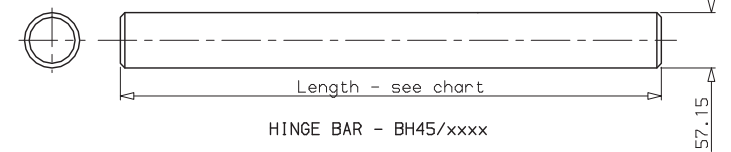
FIT COLLAR COA18 AS SHOWN. HINGE BAR DRILLED ON ASSEMBLY TO SUIT PIN BH8. SECURE USING SPLIT PINS KP8 BOTH SIDES. CHASSIS HINGE BRACKET EBF1373 BOLTED INSIDE CHASSIS FRAME. LOCK HINGE BAR THROUGH CHASSIS HINGE BRACKET BOSS WITH M12 BOLT. BODY BRACKETS BOLTED OUTSIDE BODY RUNNERS.



BODY HINGE BRACKETS		
PART No.	A	B
EBF1266/1	100.5	150
EBF1246/1	137.5	140
EBF1261/1	155.5	150
EBF1318/1	180.5	150



2.1/4" HINGE BAR ASSY		HB30/xx ASSY
PART No.	BH45/xxxx	1off BH45/xxxx
HB30/30	1143	2off BH8
HB30/23	1295	2off COA18
HB30/24	1372	4off KP8



**EDBRO HEAVY DUTY REAR HINGE EQUIPMENT (26t & 32t GVW)**