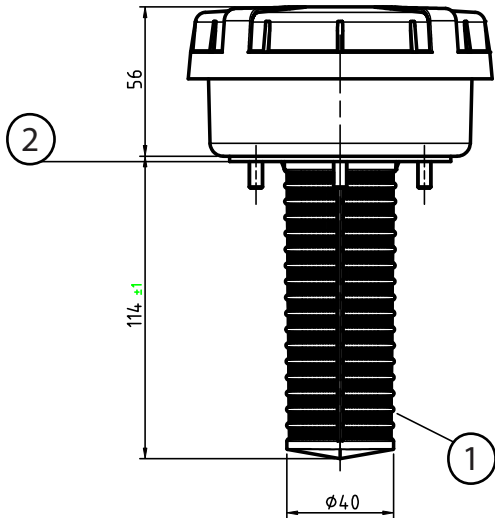
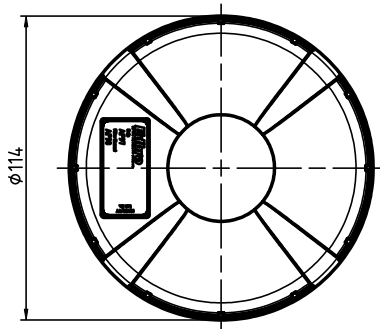


Combined Filler Breather - AF97



- * Replaces AF83 tank cap
- * Flow rate: 1600l/min ($d_p=0.02$ BAR)
- * Working Temperature: -25C - 110C
- * AF98 filter media: resin impregnated paper 10uM
- * Compatible with fluids: Mineral Oil ISO 2943
- * Supplied with 6x DIN965 M5x16 Screws and 6x DIN7982C 4.8x19 Screws



Replacement parts:

1. AF98 - Filter media

2. PM597 - Rubber gasket

