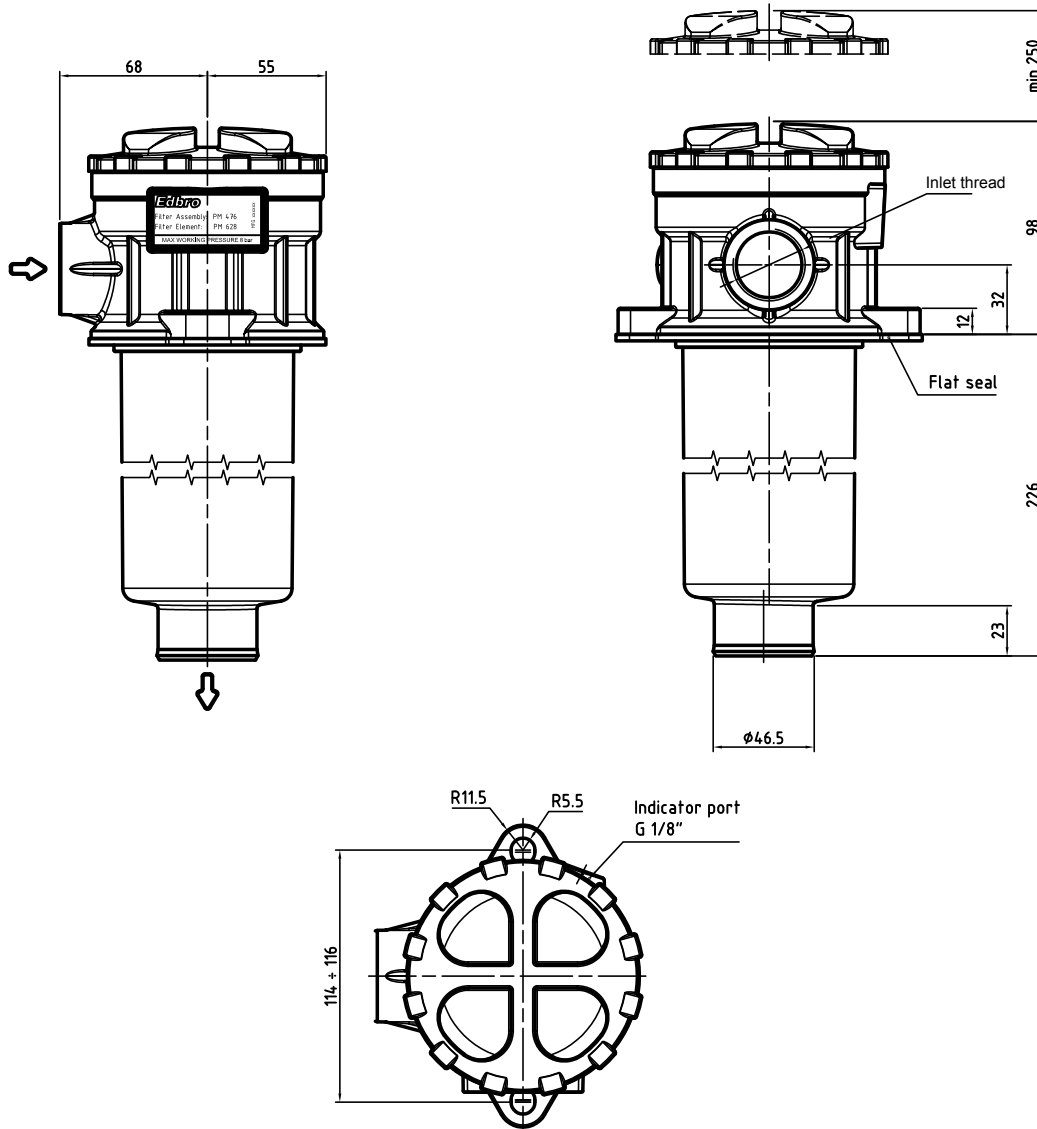


External Return Filter - PM476 - G1"

- * Filter body Max working pressure: 7 bar
- * Max flow rate: 200l/min
- * Working Temperature: -25C - +110C
- * Filter Grade : 25um
- * Inlet thread: G 1"
- * Max pressure : 3 bar (using 25um filter PM628)
- * Weight: 1.2kg



Replacement Filter PM628

Data based on 30mm²/s (cSt)

All dimensions are given in mm unless otherwise stated. Technical Specifications are subject to change without notice.