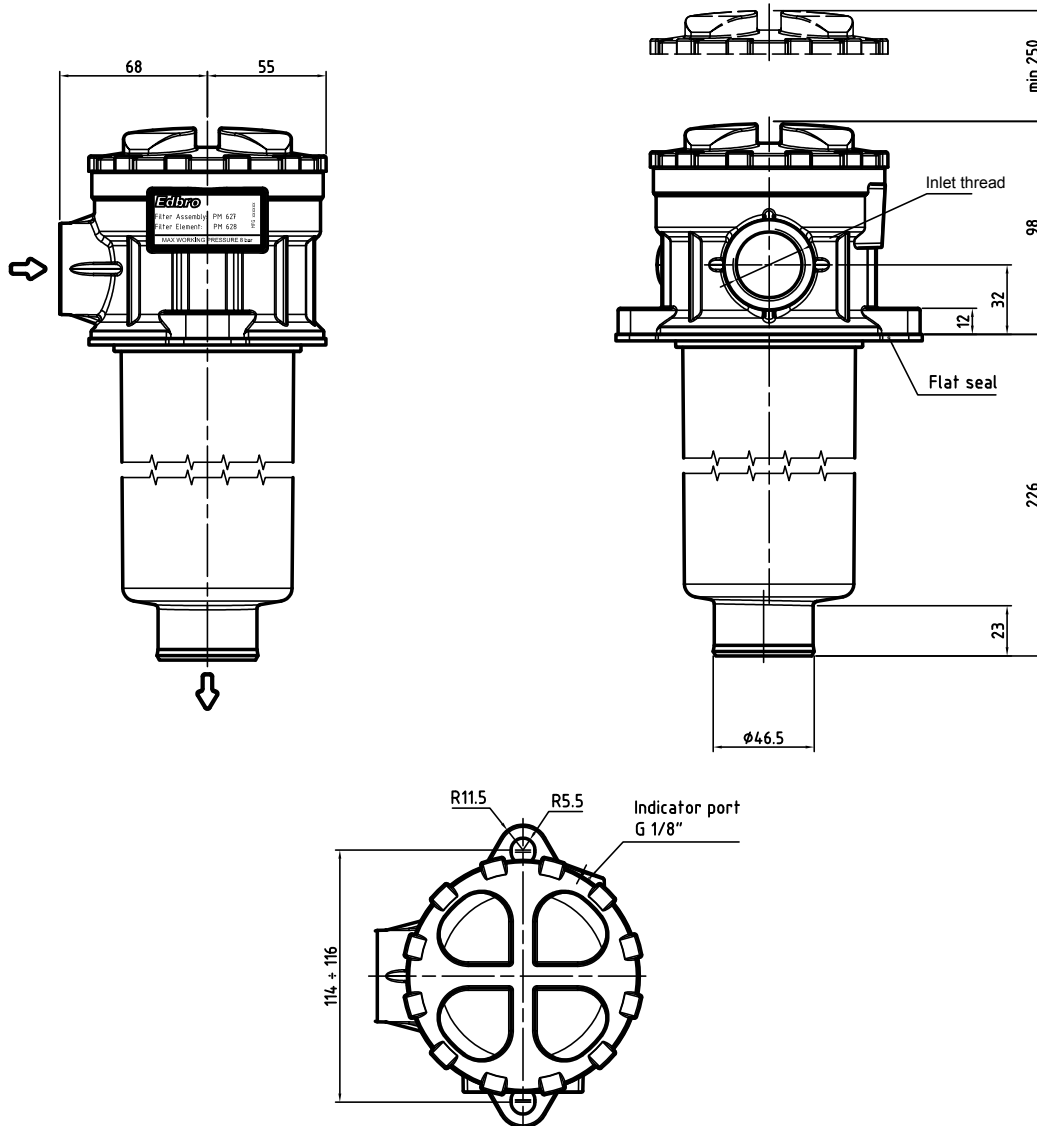


External Return Filter - PM627-G1.1/4"

- \* Filter body Max working pressure: 7 bar
- \* Max flow rate: 200 l/min
- \* Working Temperature: -25C - +110C
- \* Filter Grade: 25um
- \* Inlet thread: G 1.1/4"
- \* Max pressure : 3 bar (using 25um filter PM628 )
- \* Weight: 1.2kg



Replacement Filter PM628

Data based on 30mm<sup>2</sup>/s (cSt)