



**Edbro offers a wide range of air control units with options to suit all markets.**

**A multi-function truck and trailer control is also available for operators wishing to control all operations with a single unit.**

**Hoist/PTO air controls: 6mm air fittings**

Applies to the following air controls: SA2895/V2, SA2896/V2, SA2897/V2 & SA2898/V2

- \* Proportional lower control
- \* Compact and lightweight for easy installation
- \* Multiple mounting options
- \* Secure and easy to use push-in fittings
- \* Wide range of control options
- \* Available as valve only, or as a complete kit

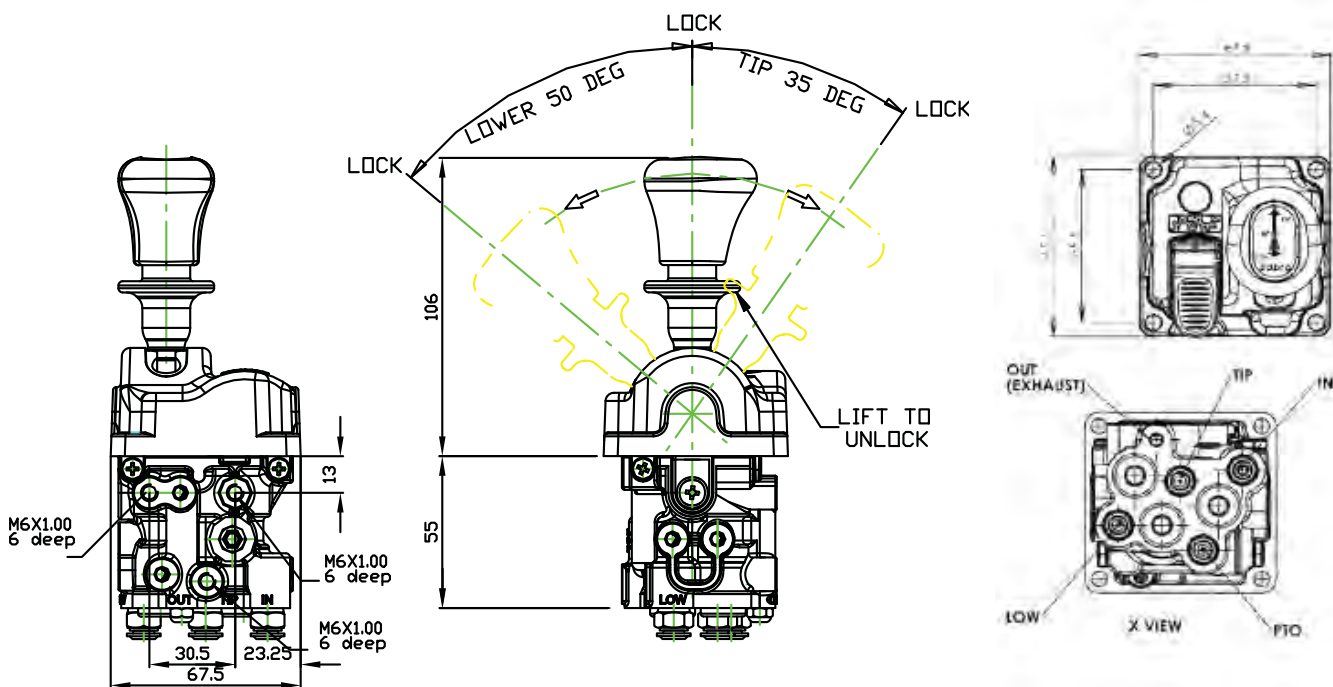
Valve part number	Hold in Tip	Hold in Low	Auto PTO	CE approved	Kit part number
SA2895/V2	Y	Y	Y	N	AV242/V2
SA2896/V2	N	Y	Y	Y	AV243/V2
SA2897/V2	Y	Y	N	N	AV244/V2
SA2898/V2	N	Y	N	Y	AV245/V2

AV kits also contain 6mm air pipe, ties, bolt kit & pipe diagram.

Air Controls

**Specification of all hoist/PTO operating air controls:**

<b>Typical weight:</b>	450 grams
<b>Operating temperature range:</b>	-45° to +80°
<b>Air condition:</b>	Dry filtered air
<b>Max working pressure:</b>	12 bar
<b>Air pipe material:</b>	Nylon
<b>Air pipe diameter:</b>	6 mm
<b>Recommended vehicle voltage:</b>	24 volts



Note: Mounting brackets are available to mount the air control in the cab. A detailed spec sheet is available containing mounting dimensions.

All dimensions are given in mm unless otherwise stated. Technical Specifications are subject to change without notice.

**Hoist only air controls: 6mm air fittings**

Applies to the following air controls: SA2894/V2 & SA2901/V2

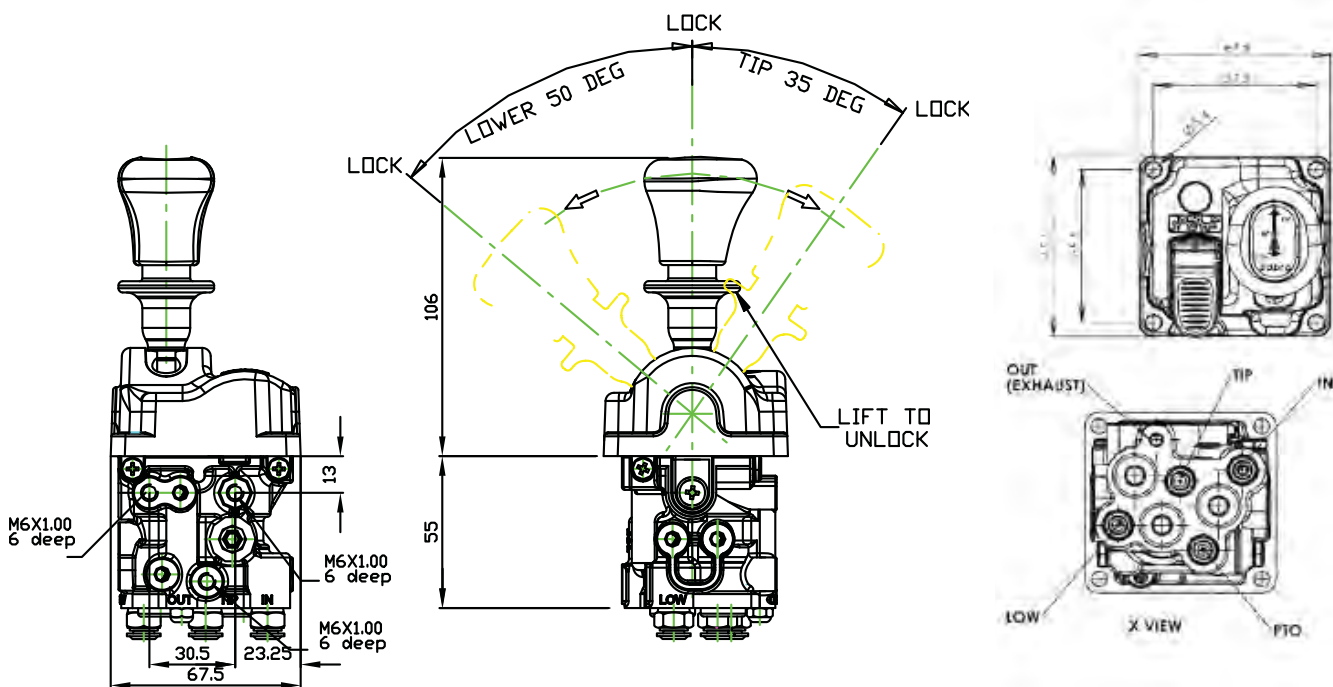
- \* Proportional lower control
- \* Compact and lightweight for easy installation
- \* Multiple mounting options
- \* Secure and easy to use push-in fittings
- \* Wide range of control options
- \* Available as valve only, or as a complete kit

Valve part number	Hold in Tip	Hold in Low	CE approved	Kit part number
SA2894/V2	N	Y	Y	AV241/V2
SA2901/V2	Y	Y	N	AV246/V2

AV kits also contain 6mm air pipe, ties, bolt kit & pipe diagram.

**Specification of all hoist/PTO operating air controls:**

<b>Typical weight:</b>	450 grams
<b>Operating temperature range:</b>	-45° to +80°
<b>Air condition:</b>	Dry filtered air
<b>Max working pressure:</b>	12 bar
<b>Air pipe material:</b>	Nylon
<b>Air pipe diameter:</b>	6 mm
<b>Recommended vehicle voltage:</b>	24 volts



Note: Mounting brackets are available to mount the air control in the cab. A detailed spec sheet is available containing mounting dimensions.

All dimensions are given in mm unless otherwise stated. Technical Specifications are subject to change without notice.

**Hoist/PTO air controls: 1/4" air fittings**

Applies to the following air controls: SA2902/V2, SA2941/V2, SA2942/V2 & SA2943/V2

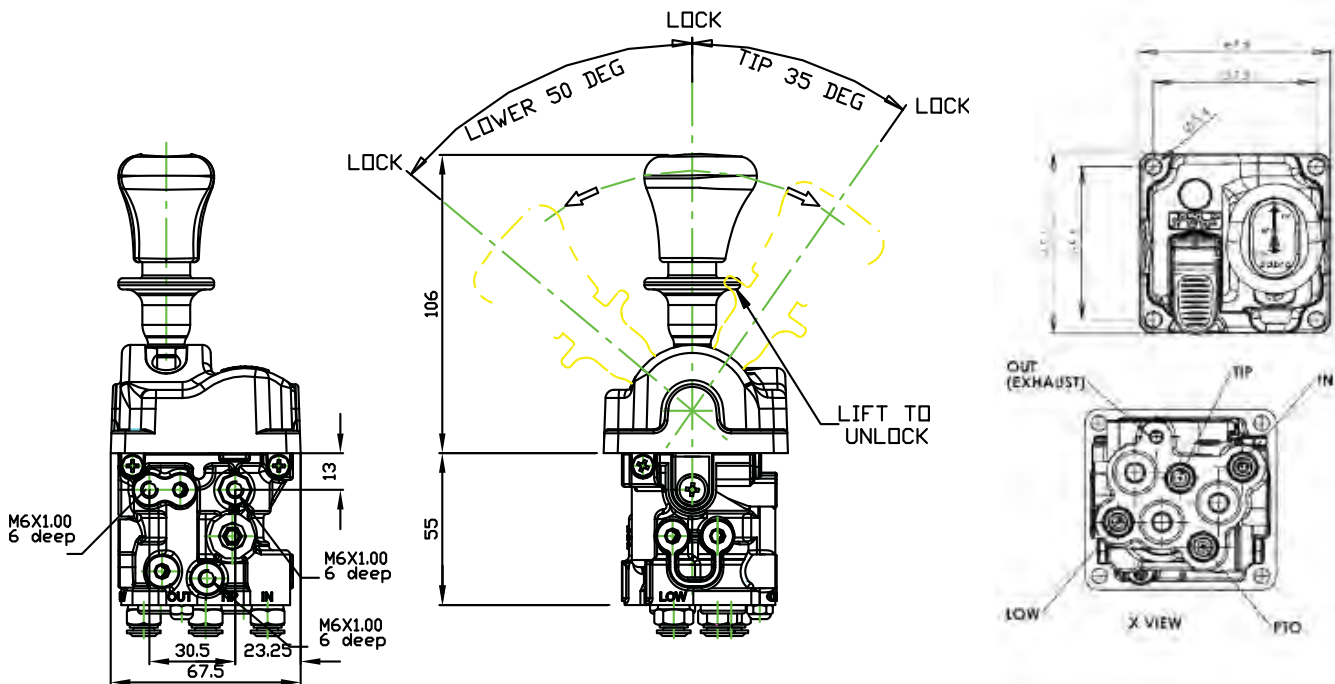
- \* Proportional lower control
- \* Compact and lightweight for easy installation
- \* Multiple mounting options
- \* Secure and easy to use push-in fittings
- \* Wide range of control options
- \* Available as valve only, or as a complete kit

Valve part number	Hold in Tip	Hold in Low	Auto PTO	CE approved	Kit part number
SA2902/V2	Y	Y	Y	N	AV247/V2
SA2941/V2	Y	Y	N	N	AV251/V2
SA2942/V2	N	Y	Y	Y	AV252/V2
SA2943/V2	N	Y	N	Y	AV253/V2

AV kits also contain 1/4" air pipe (20m), ties, bolt kit & pipe diagram.

**Specification of all hoist/PTO operating air controls:**

<b>Typical weight:</b>	450 grams
<b>Operating temperature range:</b>	-45° to +80°
<b>Air condition:</b>	Dry filtered air
<b>Max working pressure:</b>	12 bar
<b>Air pipe material:</b>	Nylon
<b>Air pipe diameter:</b>	1/4"
<b>Recommended vehicle voltage:</b>	24 volts



Note: Mounting brackets are available to mount the air control in the cab. A detailed spec sheet is available containing mounting dimensions.

All dimensions are given in mm unless otherwise stated. Technical Specifications are subject to change without notice.

**Hoist only air controls: 1/4" air fittings**

Applies to the following air controls: SA2893A/V2 & SA2940/V2

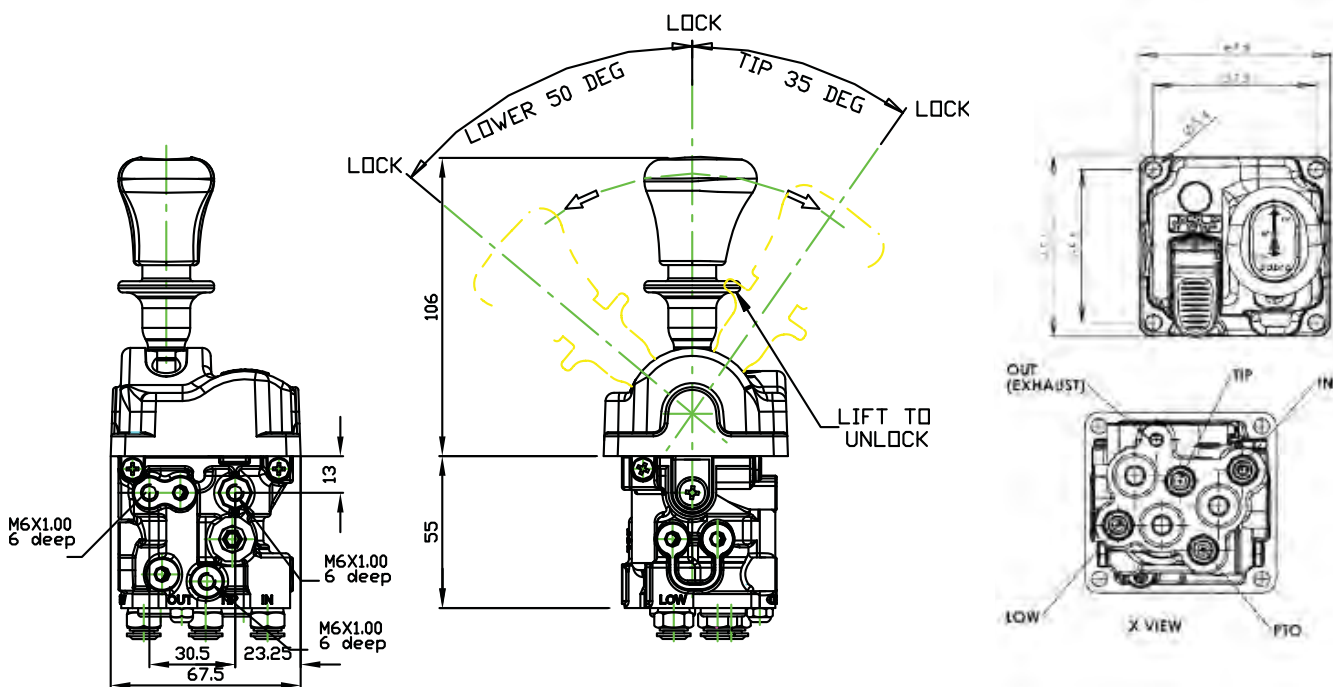
- \* Proportional lower control
- \* Compact and lightweight for easy installation
- \* Multiple mounting options
- \* Secure and easy to use push-in fittings
- \* Wide range of control options
- \* Available as valve only, or as a complete kit

Valve part number	Hold in Tip	Hold in Low	CE approved	Kit part number
SA2893A/V2	Y	Y	N	AV240/V2
SA2940/V2	N	Y	Y	AV254/V2

AV kits also contain 1/4" air pipe (20m), ties, bolt kit & pipe diagram.

**Specification of all hoist/PTO operating air controls:**

<b>Typical weight:</b>	450 grams
<b>Operating temperature range:</b>	-45° to +80°
<b>Air condition:</b>	Dry filtered air
<b>Max working pressure:</b>	12 bar
<b>Air pipe material:</b>	Nylon
<b>Air pipe diameter:</b>	1/4"
<b>Recommended vehicle voltage:</b>	24 volts



Note: Mounting brackets are available to mount the air control in the cab. A detailed spec sheet is available containing mounting dimensions.

All dimensions are given in mm unless otherwise stated. Technical Specifications are subject to change without notice.



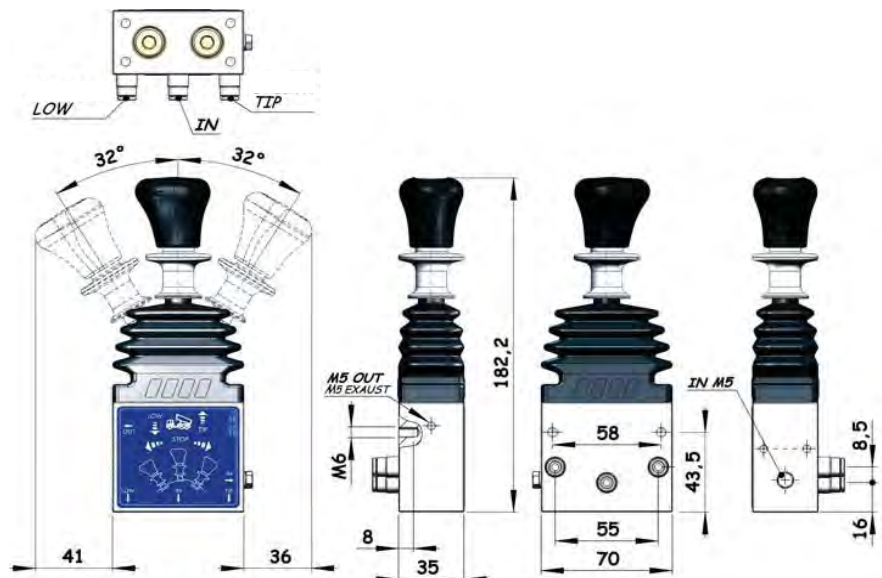
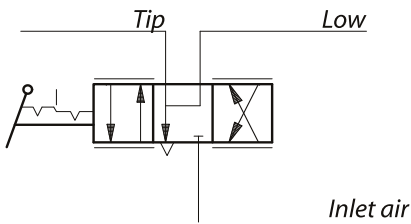
**Pneumatic Proportional Control Switch - SA2891**



- Compact Size
- Fully proportional
- Multiple connectable switches available
- No DMH

	Pressure values		Temperature	
	Min. Bar	Max. Bar	Min.	Max.
Lever return				
Automatic "CE"	5	12	-30	+80
Manual (with low and tip block)				

**Functional diagram**



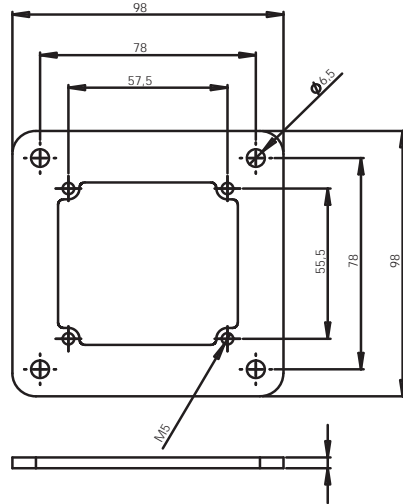
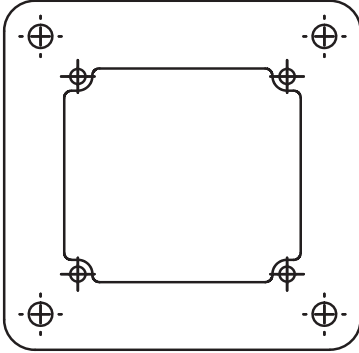
All dimensions are given in mm unless otherwise stated. Technical Specifications are subject to change without notice.

**Air control mounting brackets - SA2903/V2 - 2905/V2**

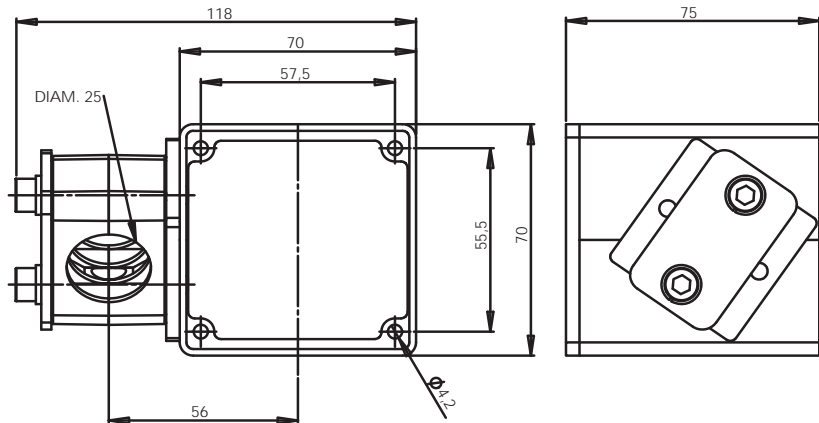
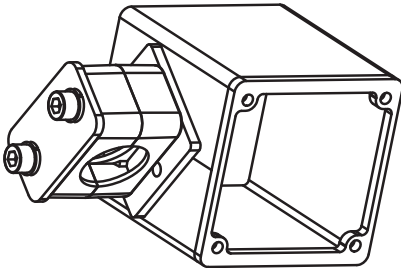
Mounting brackets for: SA2894/V2, SA2895V2, SA2896/V2, SA2897/V2, SA2898/V2 & SA2901/V2

Air Controls

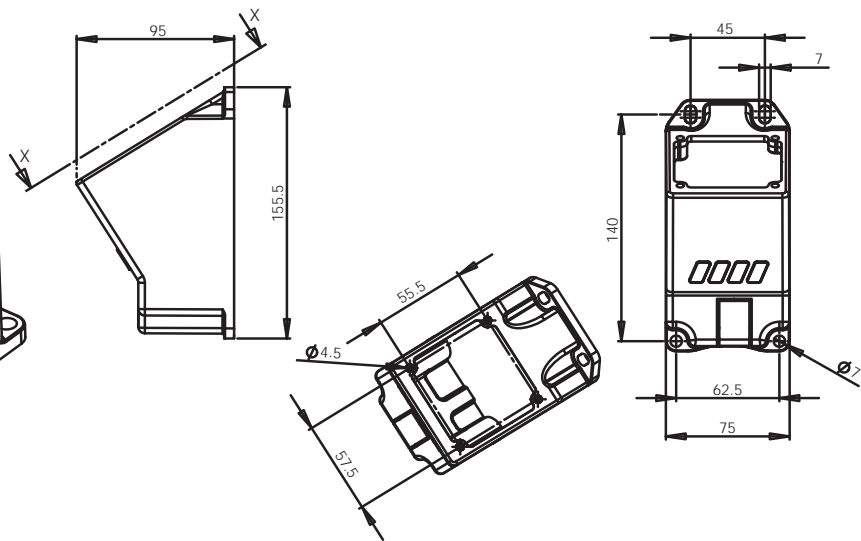
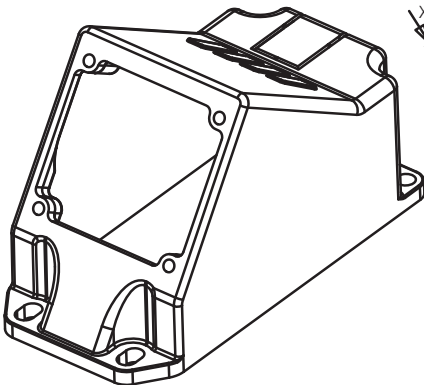
**SA2903/V2** Dash Mount



**SA2904/V2** Grab handle Mount



**SA2905/V2** Floor/Seat Mount



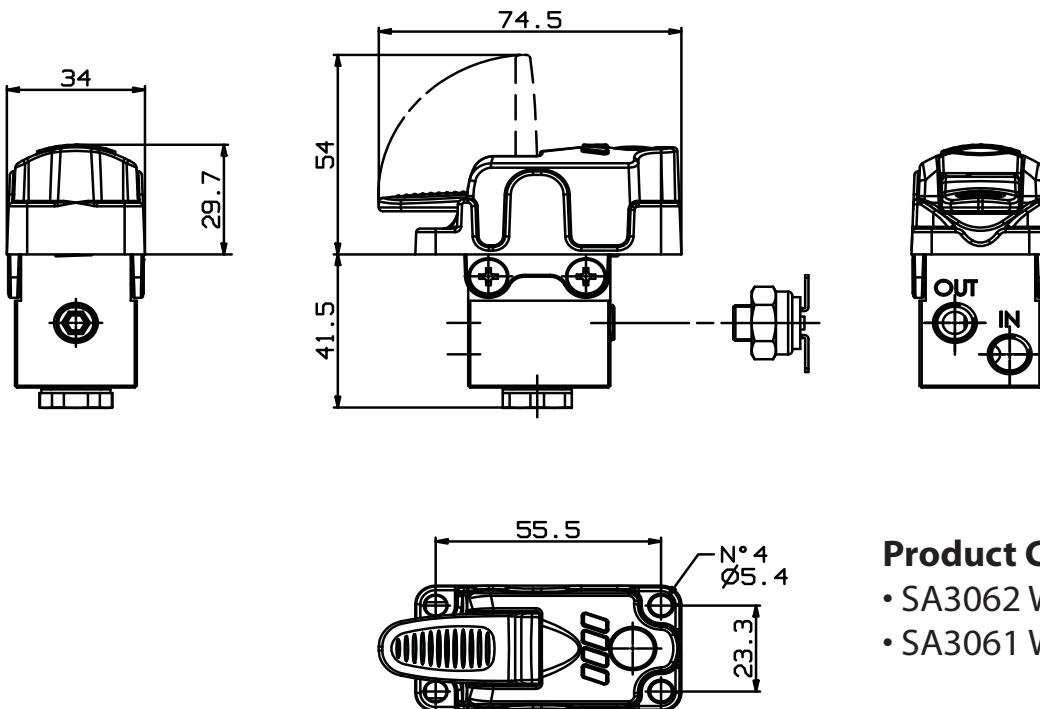
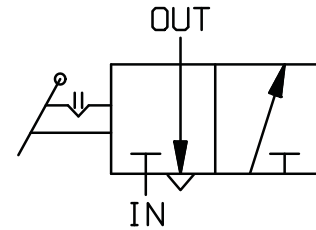
All dimensions are given in mm unless otherwise stated. Technical Specifications are subject to change without notice.

**Spec sheet name: PTO Switch - SA3061/SA3062**



**Technical features:**

- Pneumatic switch 3/2
- Maximum pressure 12 bar
- Pressure switch option for auxiliary signal
- Optional LED PTO engaged signal



**Product Codes:**

- SA3062 With Light
- SA3061 Without Light

Bracket kit options available on request

*All dimensions are given in mm unless otherwise stated. Technical Specifications are subject to change without notice.*

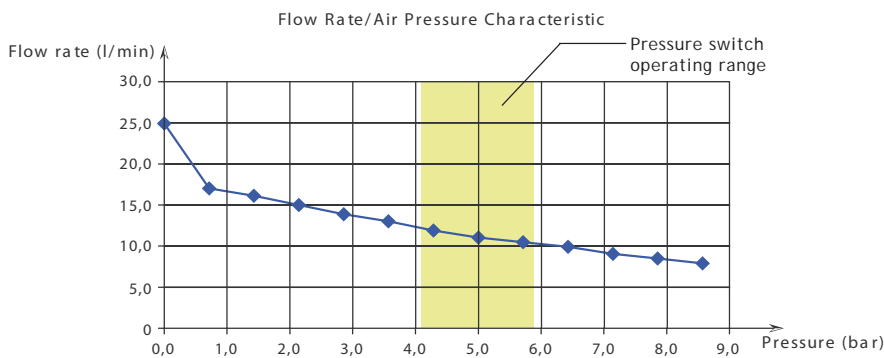


**AIR COMPRESSOR FOR PTO's 24V - PM499**



- Generates compressed air needed to pneumatically engage PTO's
- Enables the installation of pneumatic PTO's on any vehicle, leading to improved reliability of the system
- 4 mm air pipe supplied with unit
- Optional 6mm to 4mm air adaptor available (APU30)

*Dimensions*  
260 x 240 x 75mm



**OPERATING SPECIFICATION**

$P_{min} = 4.2 \text{ bar}$   
 $P_{max} = 5.8 \text{ bar}$

Flow Rate = 10 l/min

150W DC electric motor  
Direct coupling between motor and compressor piston

- Monobloc pneumatic circuit - no fittings reduces the likelihood of leaks

Specification	U.M.	Min	Typ	Max
Flow rate with air pressure of 5 bar	dm <sup>3</sup> /min	10	11	12
Displacement	cm <sup>3</sup> /rev	5,5		
Motor speed at 5.8 bar	rpm	2300		
Maximum running pressure	bar	9		
Maximum continuous working time	s	60		
Pressure switch trip pressure	bar	4,2	-	5,8
Noise level (at a distance of 1 meter)		65	68	70
Supply voltage	V		24	
Absorbed current	A	8	9	10
Average time to reach 5.8 bar	s	0,4	0,55	0,7
Mean engage time	s	0,3	0,4	0,5
Overall dimensions	mm	260x75x240		
Weight	kg	2,65		

Bodybuilder must inform user to verify pneumatic seals annually or after every 500 hours of PTO operation

*All dimensions are given in mm unless otherwise stated. Technical Specifications are subject to change without notice.*

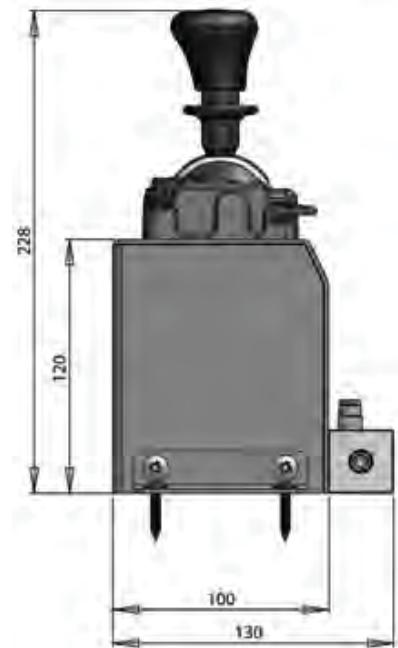
**Truck & Dog Air Control Unit - PM605**

- \* Air control unit for truck & dog dual application
- \* Ready to fit unit including air pipe, brackets and manifold
- \* Weight - 3.4KG



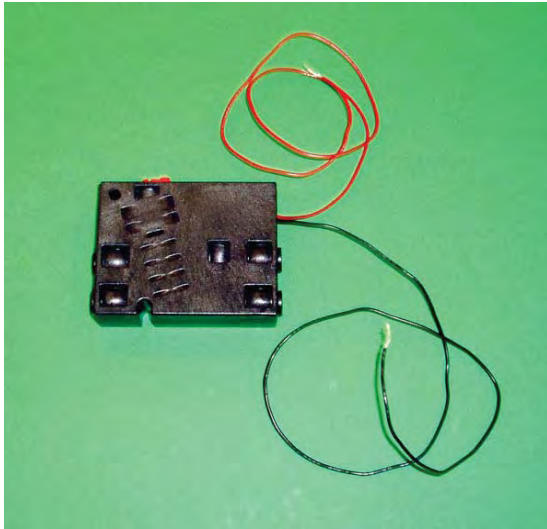
Air Controls

**Dimensions:** *all dimensions given in mm*



*All dimensions are given in mm unless otherwise stated. Technical Specifications are subject to change without notice.*

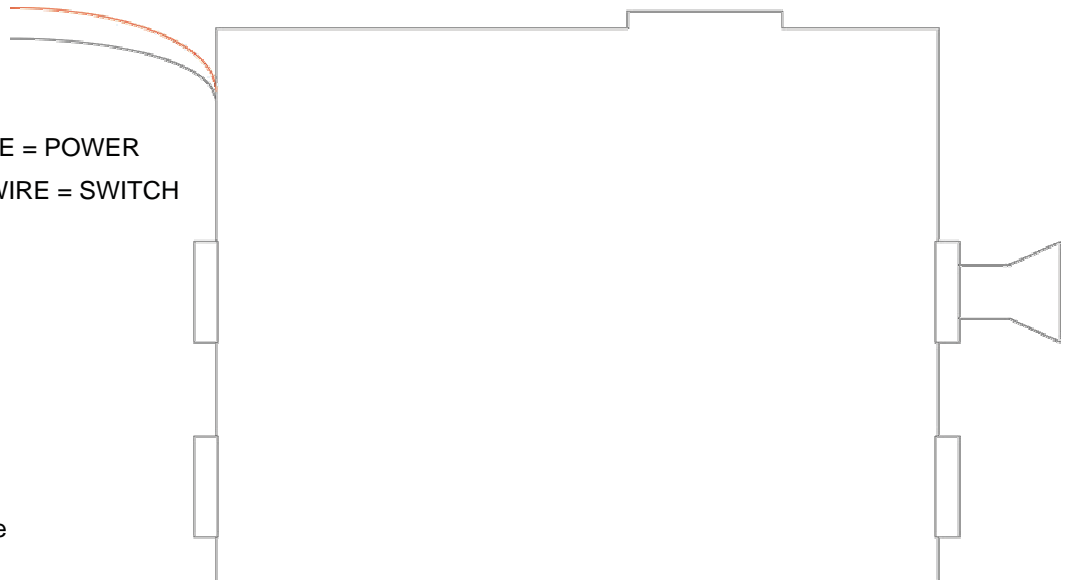
**Handbrake Interlock Kit - ELA257**



- Directional air solenoid valve
- Voltage: 24v DC
- Weight: 95g
- 4 x 6 mm pilot ports
- Optional 6mm to 4mm adaptor is available (APU30)
- Min pressure: 2 bar
- Max pressure: 8.3 bar
- Conforms to DIN 40 050 and DIN 43650 specifications

Air Controls

**RED WIRE = POWER**  
**BLACK WIRE = SWITCH**

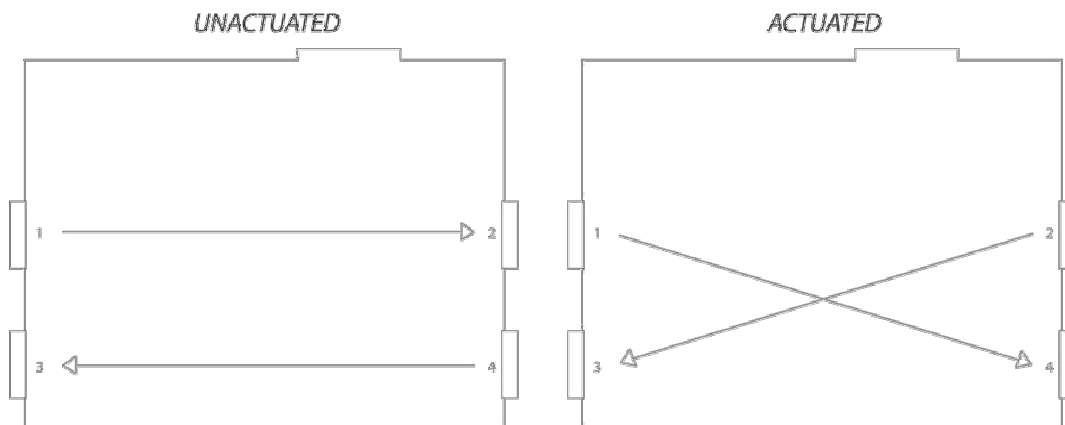


**Kit contents:**

1 x EL854 solenoid valve

1 x APP3 6mm plug

*Optional APU30 6mm to 4mm adaptor available*



*All dimensions are given in mm unless otherwise stated. Technical Specifications are subject to change without notice.*

**Knock-Off Valve - OV340H**

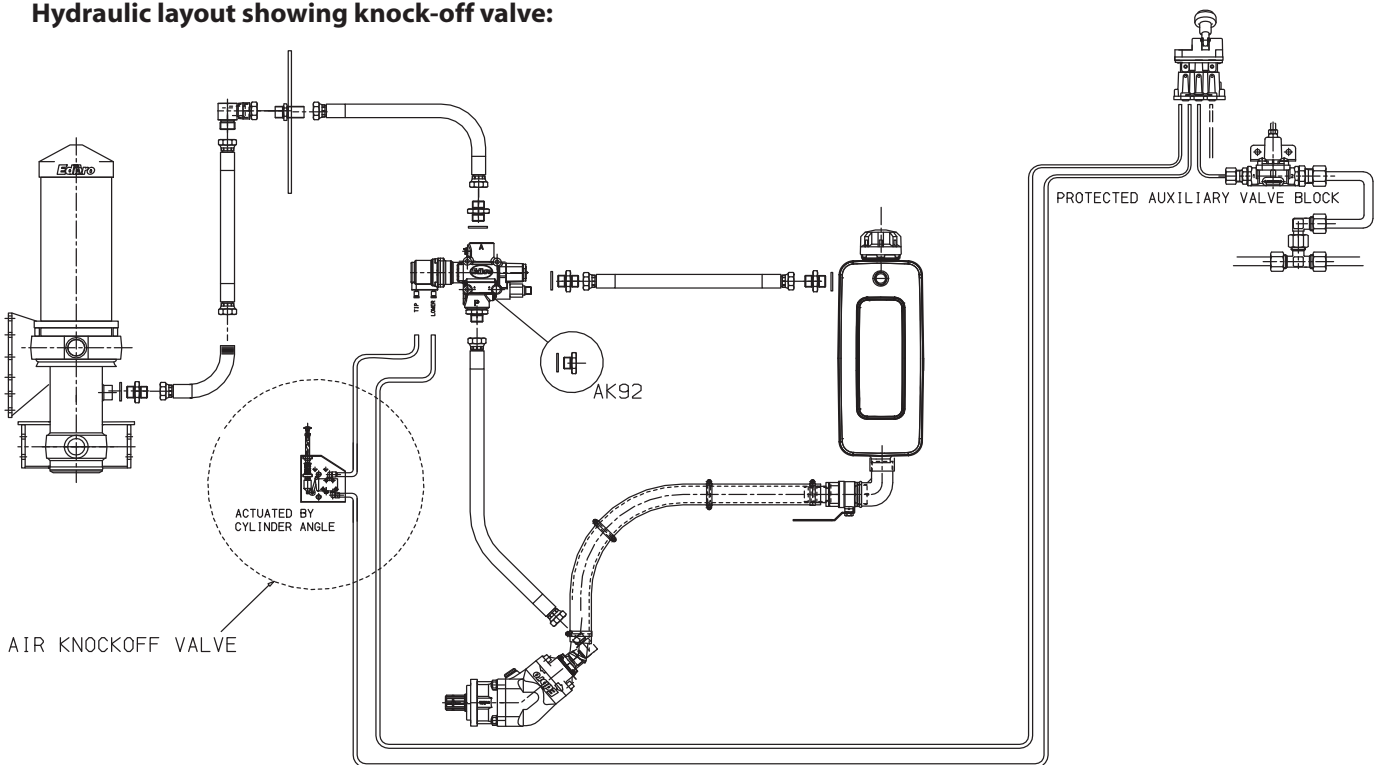
Pneumatic knock-off valve designed to restrict end of stroke tipping and control angle of tip.



**Part numbers:**

- OV340HA     ¼" push-in air fitting
- OV340HM     6mm push-in air fitting

**Hydraulic layout showing knock-off valve:**



*All dimensions are given in mm unless otherwise stated. Technical Specifications are subject to change without notice.*

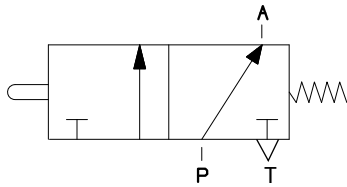
**Knock Off Valve: PM629**

The valve is designed to cut off the air flow to the tipping valve and therefore stop movement of the cylinder at the desired position.

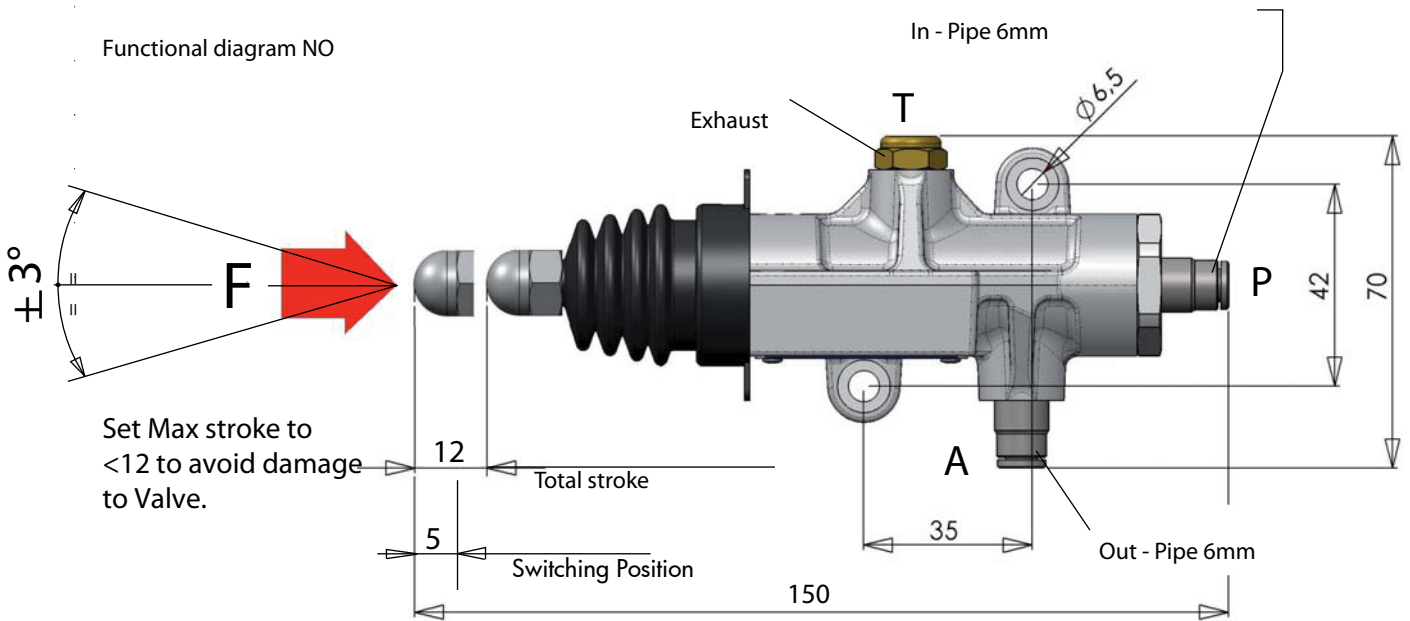
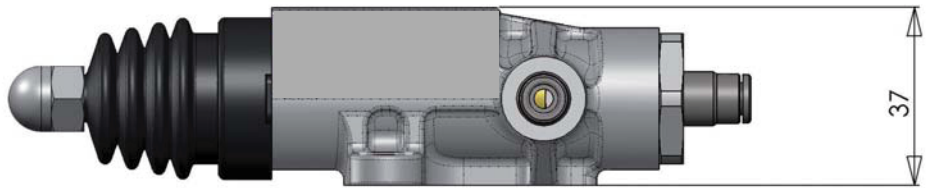
This system can be used as alternative to the end of stroke cable connected to the spool of the tipping valve.

Max. pressure: 12 bar

Service temperature: -40° +140°C

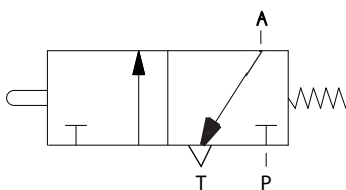


Functional diagram NO

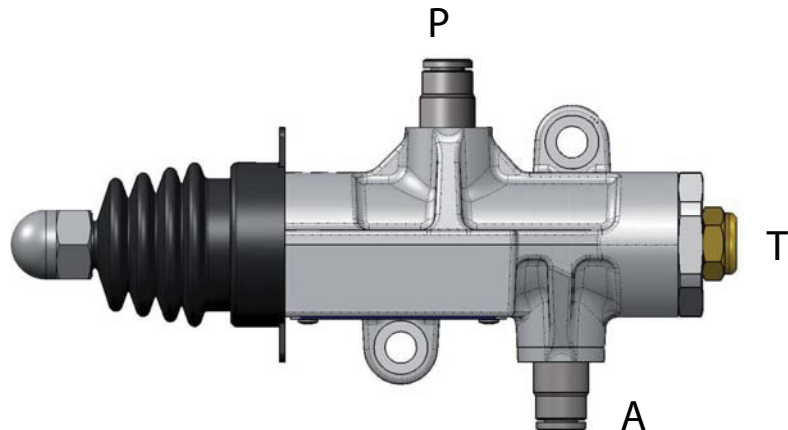


Set Max stroke to <12 to avoid damage to Valve.

ALTERNATIVE USE: if the air ports are inverted the switch will work as NC (Normally Closed).

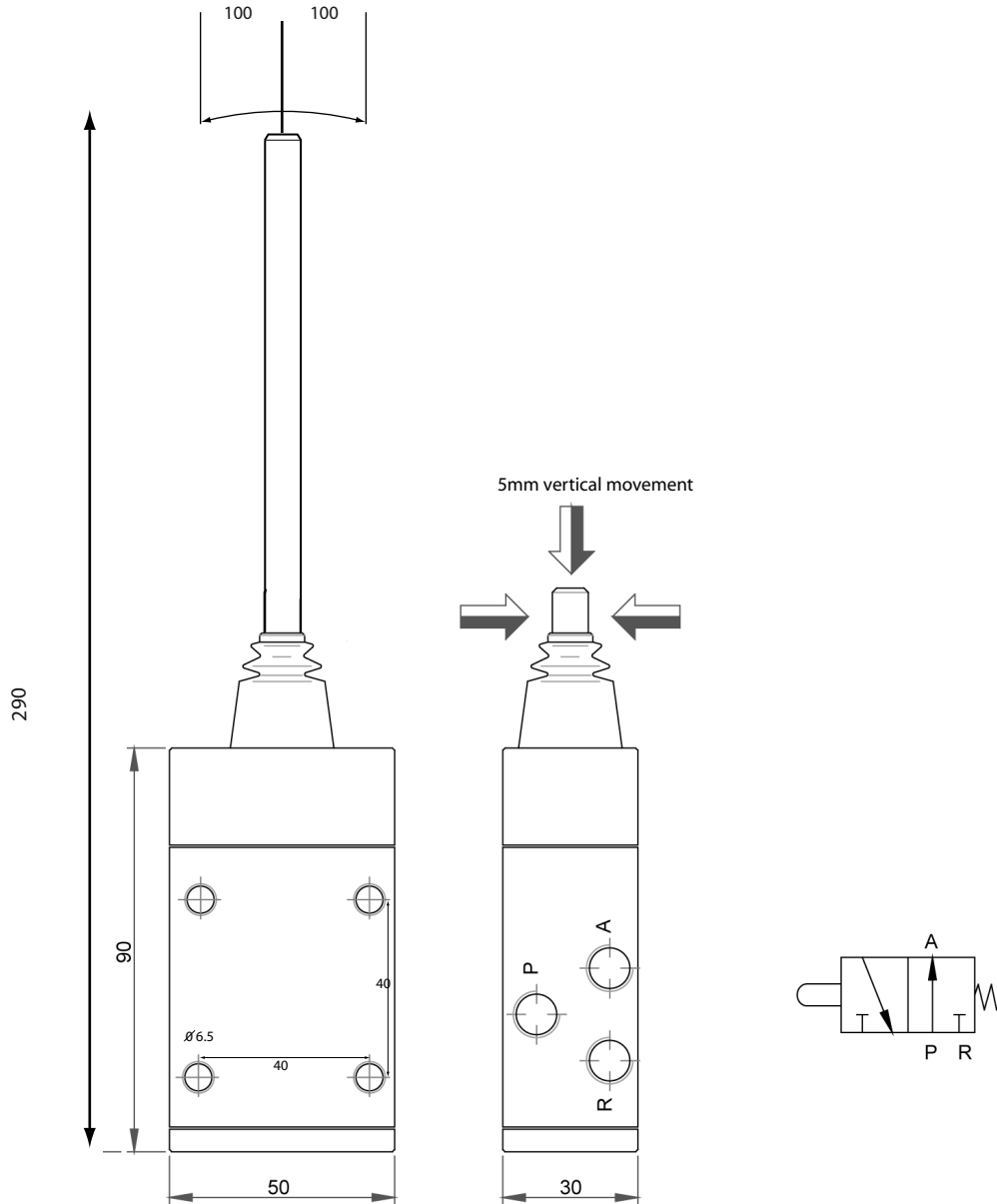


Functional diagram NC



All dimensions are given in mm unless otherwise stated. Technical Specifications are subject to change without notice.

**Pneumatic Knock off Valve: PM604**



Air Controls

Main Data	
Switching	360° +/- 100mm
Port Threads	1/8" BSP
Max. Pressure	12 bar
Weight	0.65 kg

All dimensions are given in mm unless otherwise stated. Technical Specifications are subject to change without notice.