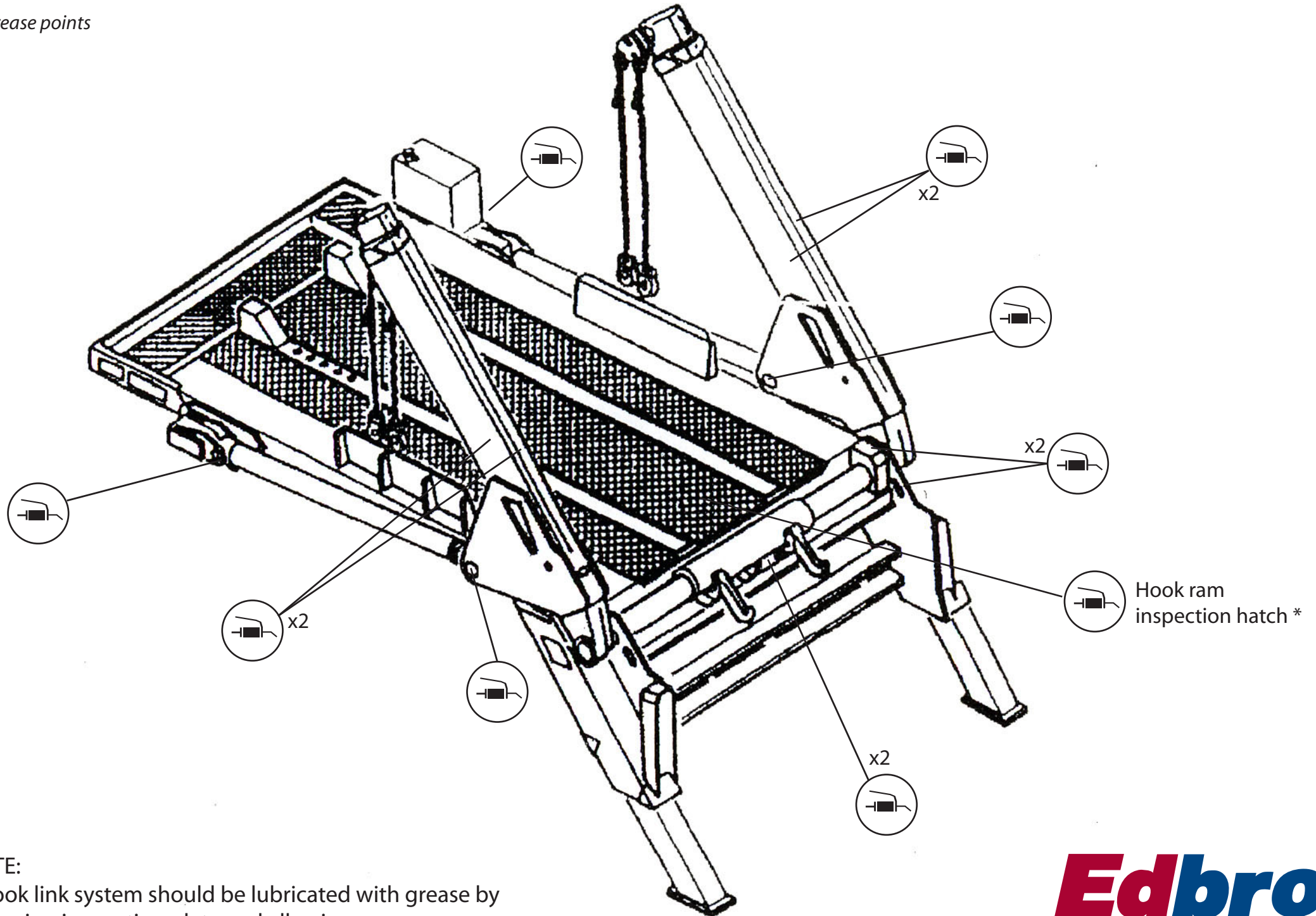


BLBTA TELESCOPIC SKIPLOADER GREASE POINT GUIDE

12 grease points



NOTE:

* Hook link system should be lubricated with grease by removing inspection plate and allowing access