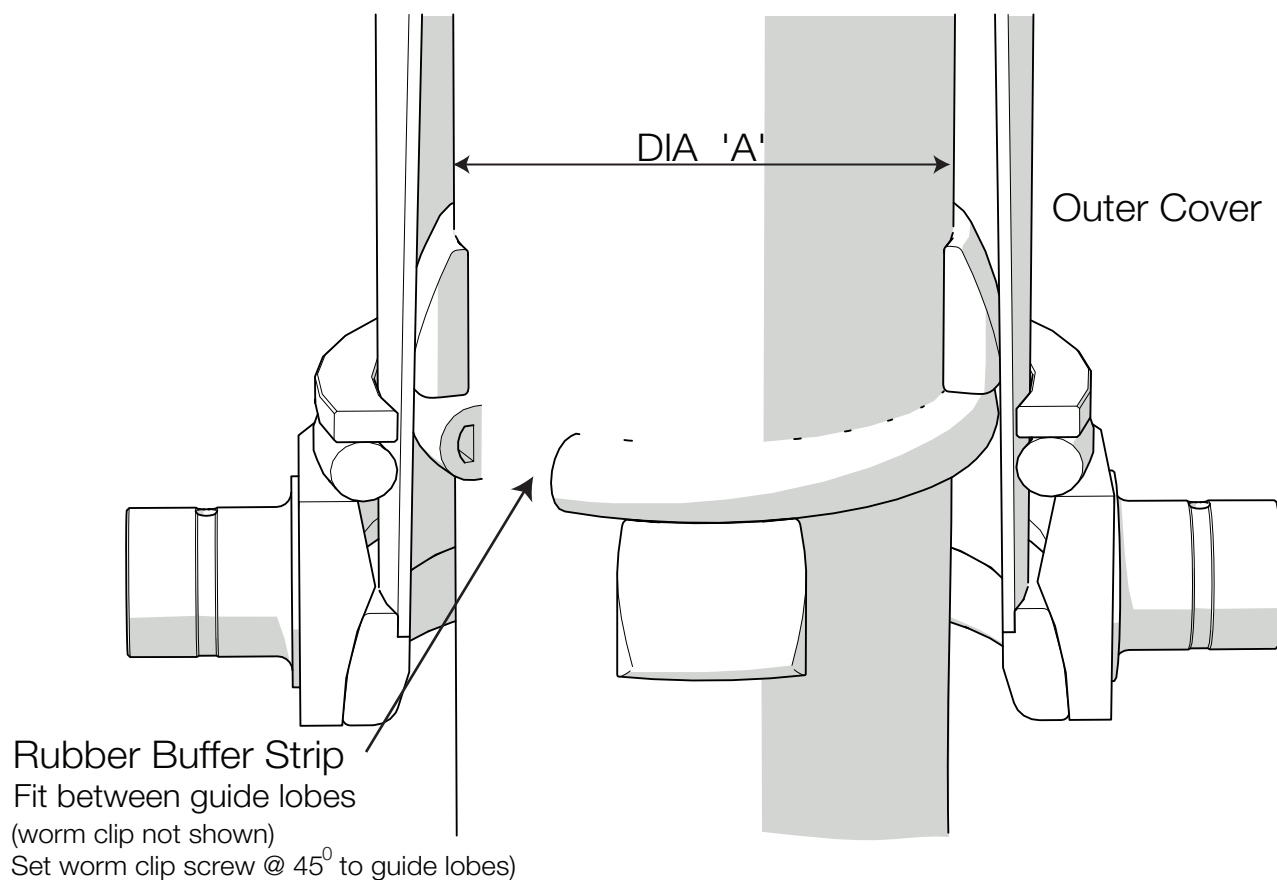


C Series :

Anti Rattle Kit

Anti Rattle Kit - ARK***



Assembly Includes Rubber Buffer Strip & Worm Clip

Hoist Type	DIA 'A'	Anti-Rattle Kit Part No.
CS/X 10	117 mm	ARK437
CS/X 11	136 mm	ARK525/03
CS/X 13	155 mm	ARK610/01
CS/X 14	155 mm	ARK610/04
CS/X 15	176 mm	ARK693/02
CS 17	198 mm	ARK780/02
CS 17 Ultra	198 mm	ARK780/03
CS 18	211 mm	ARK837/01
CS 18 Ultra	211 mm	ARK837/01
CS 19 A	223 mm	ARK874
CS 19 B	223 mm	ARK874/01
CS 22	250 mm	ARK986