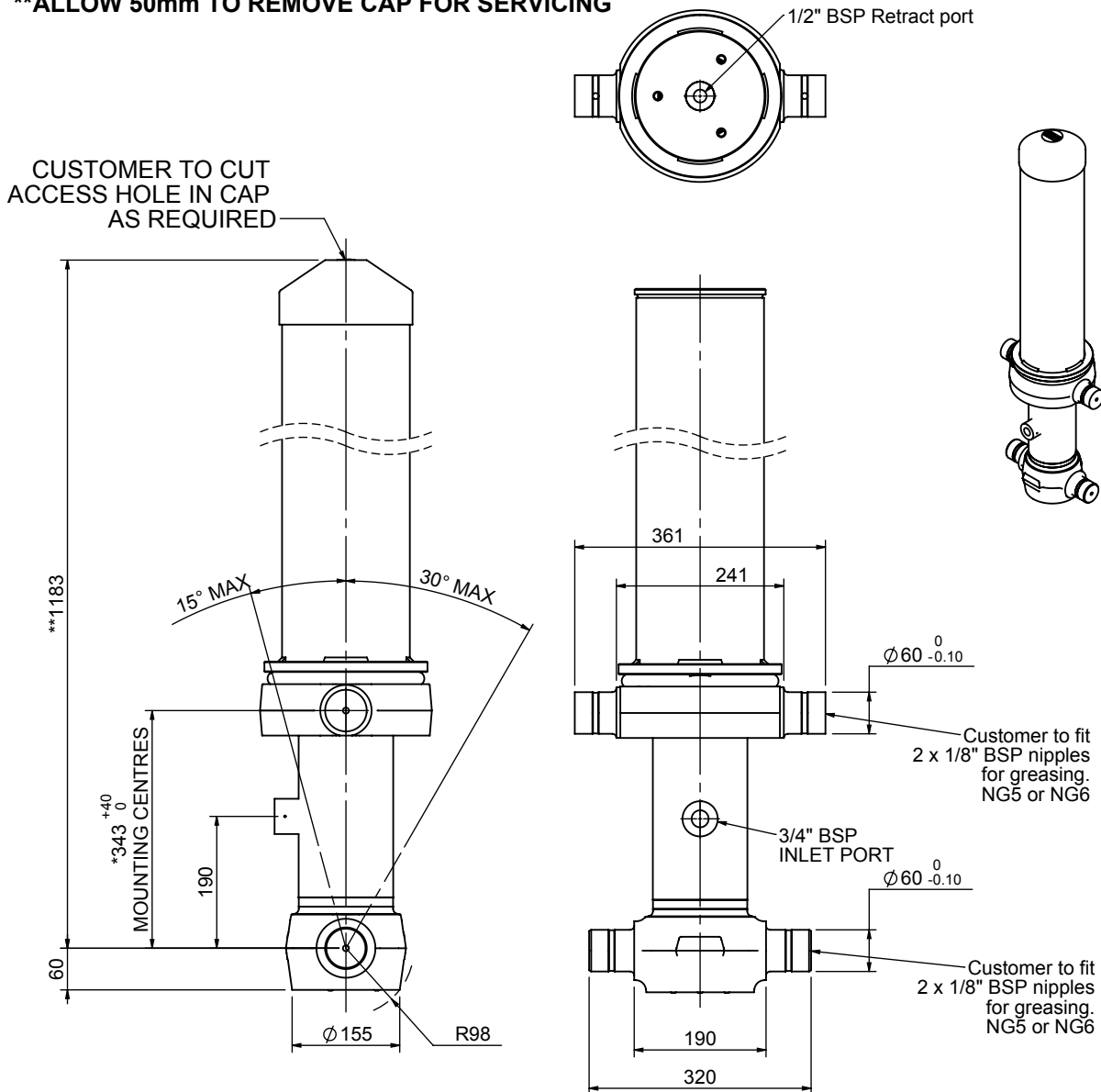


Cylinder 3 stage with double acting final stage

****ALLOW 50mm TO REMOVE CAP FOR SERVICING**

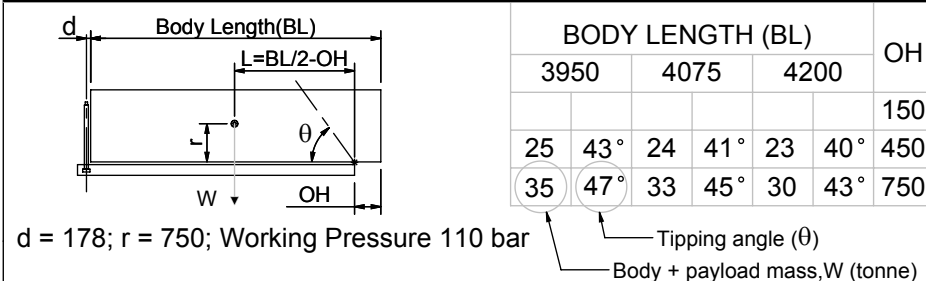


***Includes 14mm Pull Out.**

CB110032665B19A11

SPECIFICATION		TIPPING CAPACITY : 23-35 TONNES***		
Stage	Diameter	Length	Stroke	Swept Volume
-	-	-	-	-
OUTER COVER	184	785	-	-
0	136	1125	-	-
1	117	1090	899	10
2	98	1090	917	7
3R	87	1090	849	-
3	79	1090	849	4
Total (+5/-10)			2665	21
Final stroke reduced by	0	Priming Volume		10
Cylinder Mass (Kg)	109	Total Volume (Litres)		31
Maximum Pressure (Bar)	150	Max. first stage thrust		130 KN

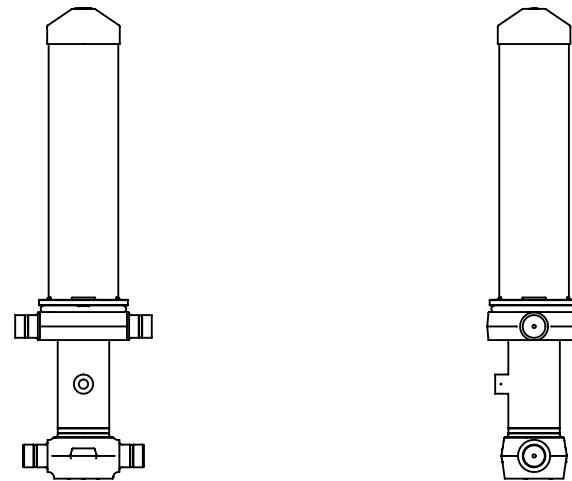
***TIPPING CAPACITY AT WORKING PRESSURE



Retract force @ Stage 3 = 15.65kN @150bar maximum pressure

NOTES

1. This cylinder is for lifting purposes only and side load conditions should be avoided
2. Cylinder is painted in primer paint to RAL5013
3. Refer to www.edbro.com for ;-
 - Bracket details
 - Installation instructions that must be observed
 - Correct oil selection
 - An explanation of tipping capacity
4. This cylinder is typically for intermittent use in vacuum tanker applications. Refer to Edbro for other uses.



CB110032665B19A11