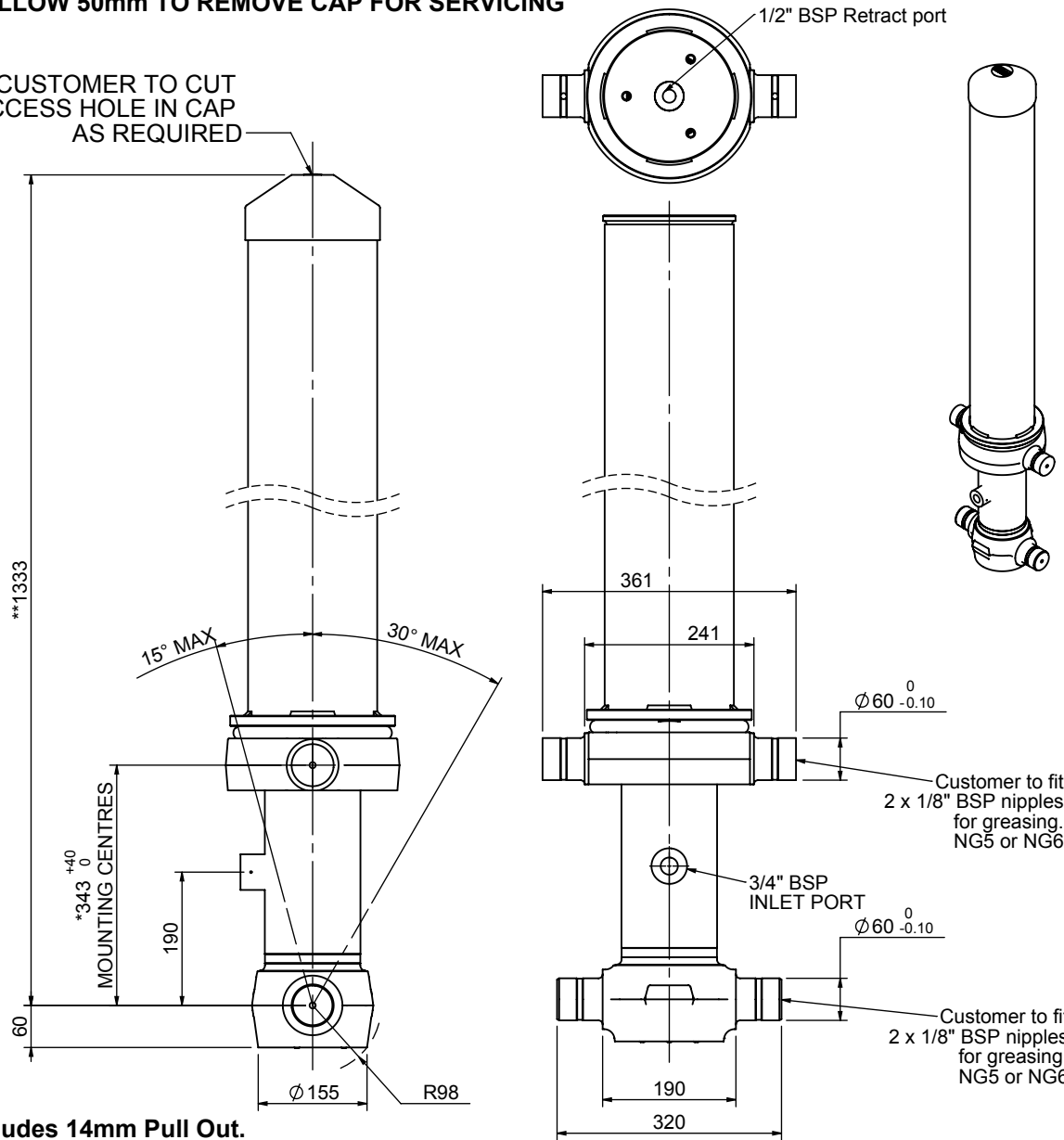


Cylinder 3 stage with double acting final stage

****ALLOW 50mm TO REMOVE CAP FOR SERVICING**

CUSTOMER TO CUT ACCESS HOLE IN CAP AS REQUIRED



*Includes 14mm Pull Out.

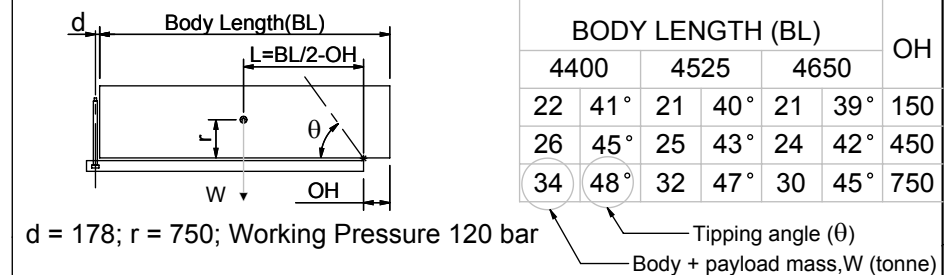
CB110033115B19A11

SPECIFICATION

TIPPING CAPACITY : 21-34 TONNES***

Stage	Diameter	Length	Stroke	Swept Volume
-	-	-	-	-
OUTER COVER	184	935	-	-
0	136	1275	-	-
1	117	1240	1049	11
2	98	1240	1067	8
3R	87	1240	999	-
3	79	1240	999	5
Total (+5/-10)			3115	24
Final stroke reduced by	0	Priming Volume		10
Cylinder Mass (Kg)	119	Total Volume (Litres)		34
Maximum Pressure (Bar)	150	Max. first stage thrust		130 KN

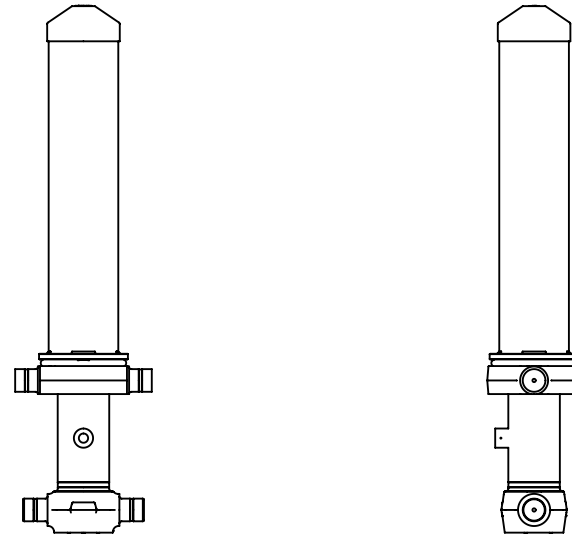
***TIPPING CAPACITY AT WORKING PRESSURE



Retract force @ Stage 3 = 15.65kN @150bar maximum pressure

NOTES

1. This cylinder is for lifting purposes only and side load conditions should be avoided
2. Cylinder is painted in primer paint to RAL5013
3. Refer to www.edbro.com for:-
 - Bracket details
 - Installation instructions that must be observed
 - Correct oil selection
 - An explanation of tipping capacity
4. This cylinder is typically for intermittent use in vacuum tanker applications. Refer to Edbro for other uses.



CB110033115B19A11