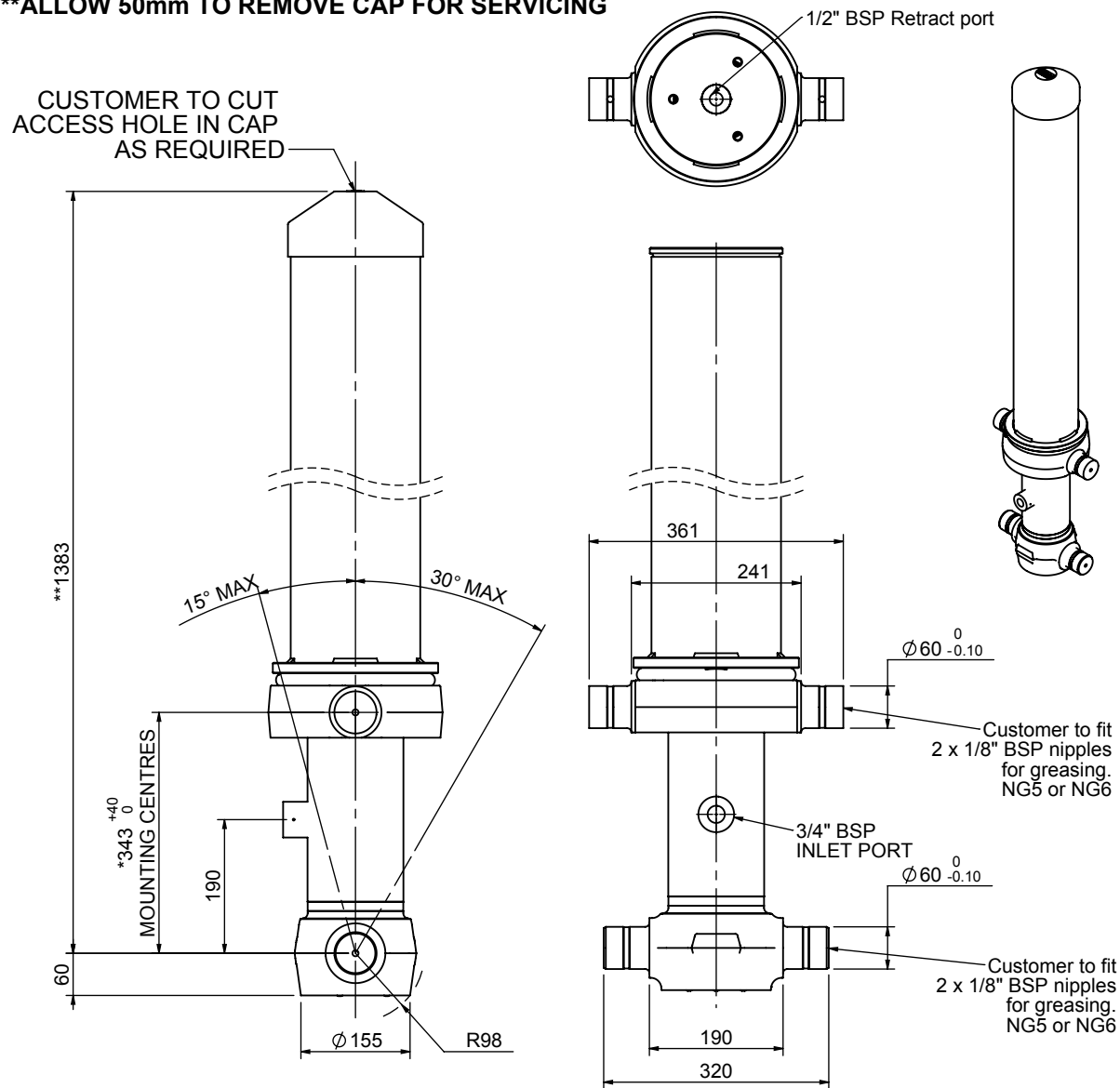


# Cylinder 3 stage with double acting final stage

**\*\*ALLOW 50mm TO REMOVE CAP FOR SERVICING**



**\*Includes 14mm Pull Out.**

## CB110033265B19A11

SPECIFICATION		TIPPING CAPACITY : 23-33 TONNES***		
Stage	Diameter	Length	Stroke	Swept Volume
-	-	-	-	-
OUTER COVER	184	985	-	-
0	136	1325	-	-
1	117	1290	1099	12
2	98	1290	1117	8
3R	87	1290	1049	-
3	79	1290	1049	5
Total (+5/-10)			3265	25
Final stroke reduced by	0	Priming Volume		10
Cylinder Mass (Kg)	122	Total Volume (Litres)		35
Maximum Pressure (Bar)	150	Max. first stage thrust		130 KN

### \*\*\*TIPPING CAPACITY AT WORKING PRESSURE

BODY LENGTH (BL)		BODY LENGTH (BL)			OH	
4550	4675	4800				
22	42°	21	41°	21	40°	150
26	45°	25	44°	24	43°	450
33	49°	31	47°	30	46°	750

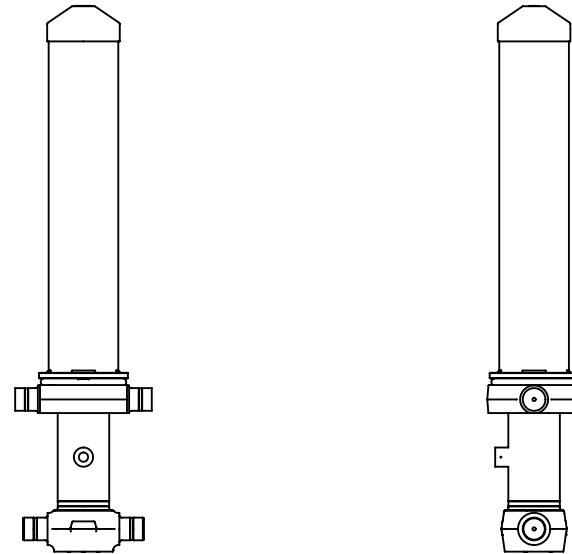
$d = 178; r = 750; \text{Working Pressure } 120 \text{ bar}$

Tipping angle ( $\theta$ )  
Body + payload mass, W (tonne)

Retract force @ Stage 3 = 15.65kN @150bar maximum pressure

### NOTES

1. This cylinder is for lifting purposes only and side load conditions should be avoided
2. Cylinder is painted in primer paint to RAL5013
3. Refer to [www.edbro.com](http://www.edbro.com) for:-
  - Bracket details
  - Installation instructions that must be observed
  - Correct oil selection
  - An explanation of tipping capacity
4. This cylinder is typically for intermittent use in vacuum tanker applications. Refer to Edbro for other uses.



CB110033265B19A11