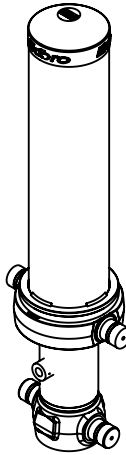
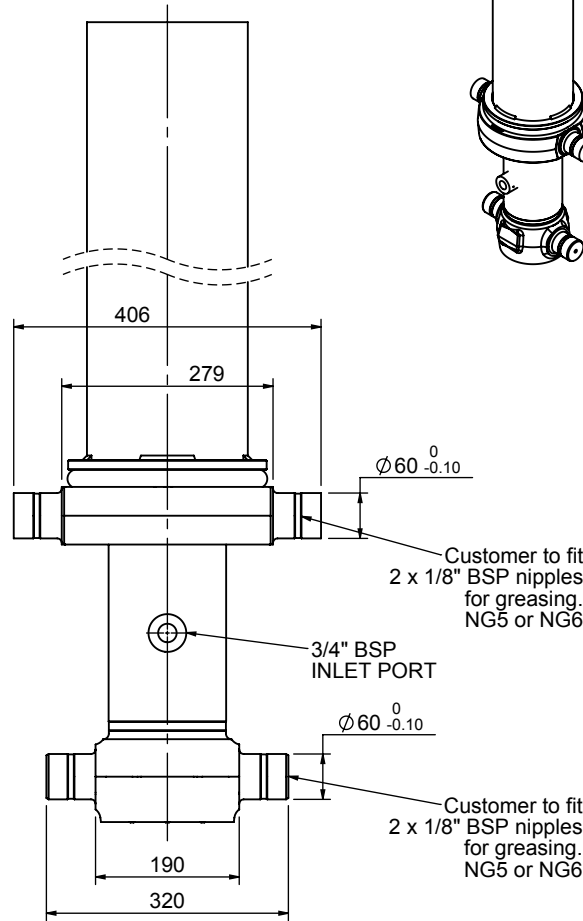
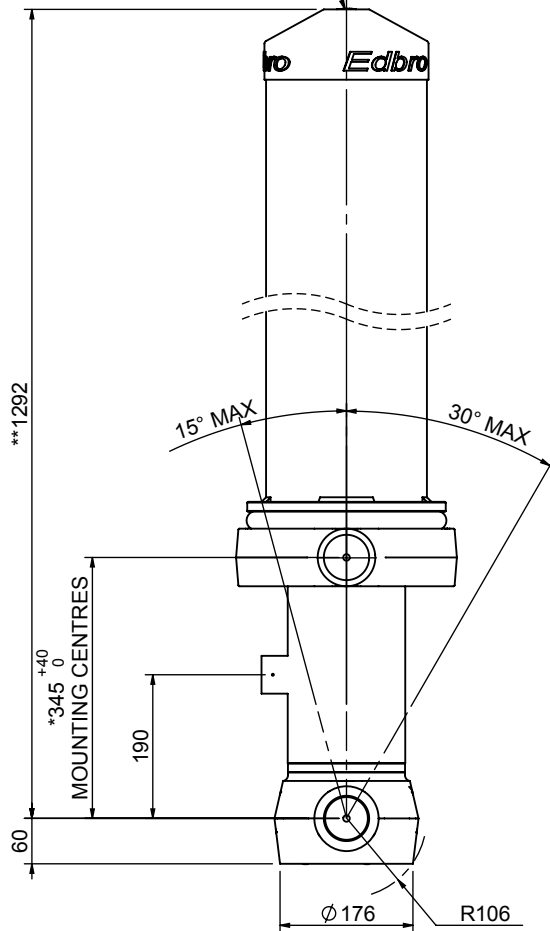
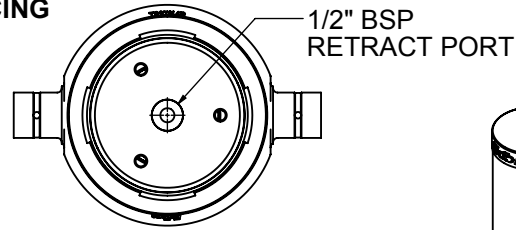


Cylinder 4 stage with double acting 4th stage

****ALLOW 50mm TO REMOVE CAP FOR SERVICING**

CUSTOMER TO CUT ACCESS HOLE IN CAP AS REQUIRED

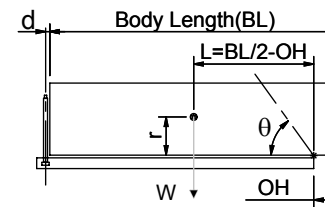


*Includes 14mm Pull Out.

CB130043961B19A11

SPECIFICATION		TIPPING CAPACITY :28-43 TONNES***		
Stage	Diameter	Length	Stroke	Swept Volume
OUTER COVER	213	905	-	-
0	155	1225	-	-
1	136	1190	983	14
2	117	1190	1012	11
3	98	1190	1017	8
4R	87	1190	949	-
4	79	1190	949	5
Total (+5/-10)			3961	38
Final stroke reduced by	0	Priming Volume		10
Cylinder Mass (Kg)	155	Total Volume (Litres)		48
Maximum Pressure (Bar)	150	Max. first stage thrust		170 KN

***TIPPING CAPACITY AT WORKING PRESSURE



BODY LENGTH (BL)						OH
4900	5150	5400				
31	48°	29	45°	28	43°	150
38	51°	34	48°	32	46°	450
		43	52°	39	49°	750

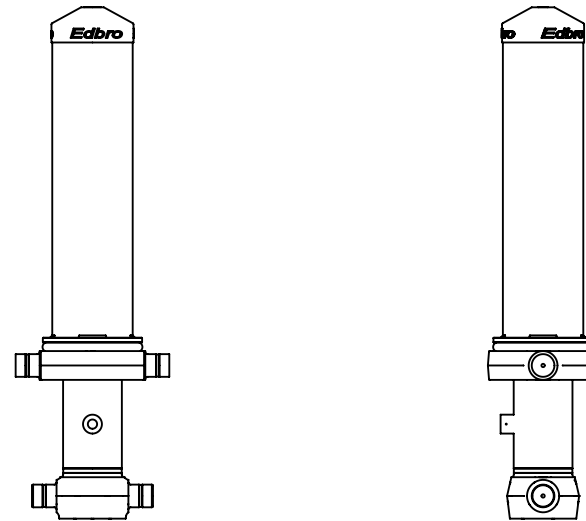
d = 178; r = 750; Working Pressure 150 bar

Tipping angle (θ)
Body + payload mass, W (tonne)

Retract force @ Stage 4 = 15.65kN @150bar maximum pressure

NOTES

1. This cylinder is for lifting purposes only and side load conditions should be avoided
2. Cylinder is painted in primer paint to RAL5013
3. Refer to www.edbro.com for:-
 - Bracket details
 - Installation instructions that must be observed
 - Correct oil selection
 - An explanation of tipping capacity
4. This cylinder is typically for intermittent use in vacuum tanker applications. Refer to Edbro for other uses.



CB130043961B19A11