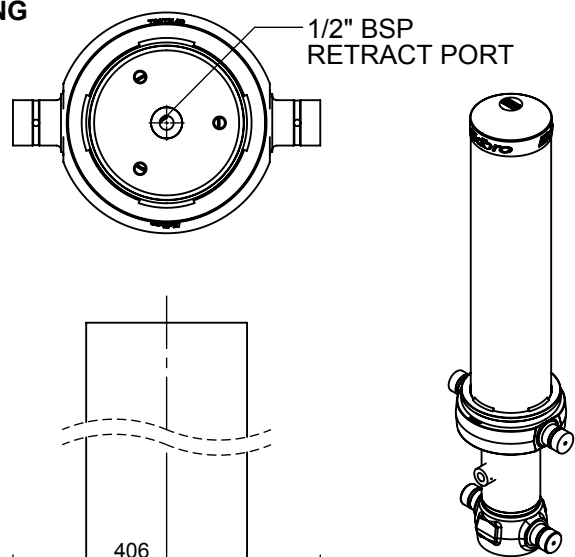
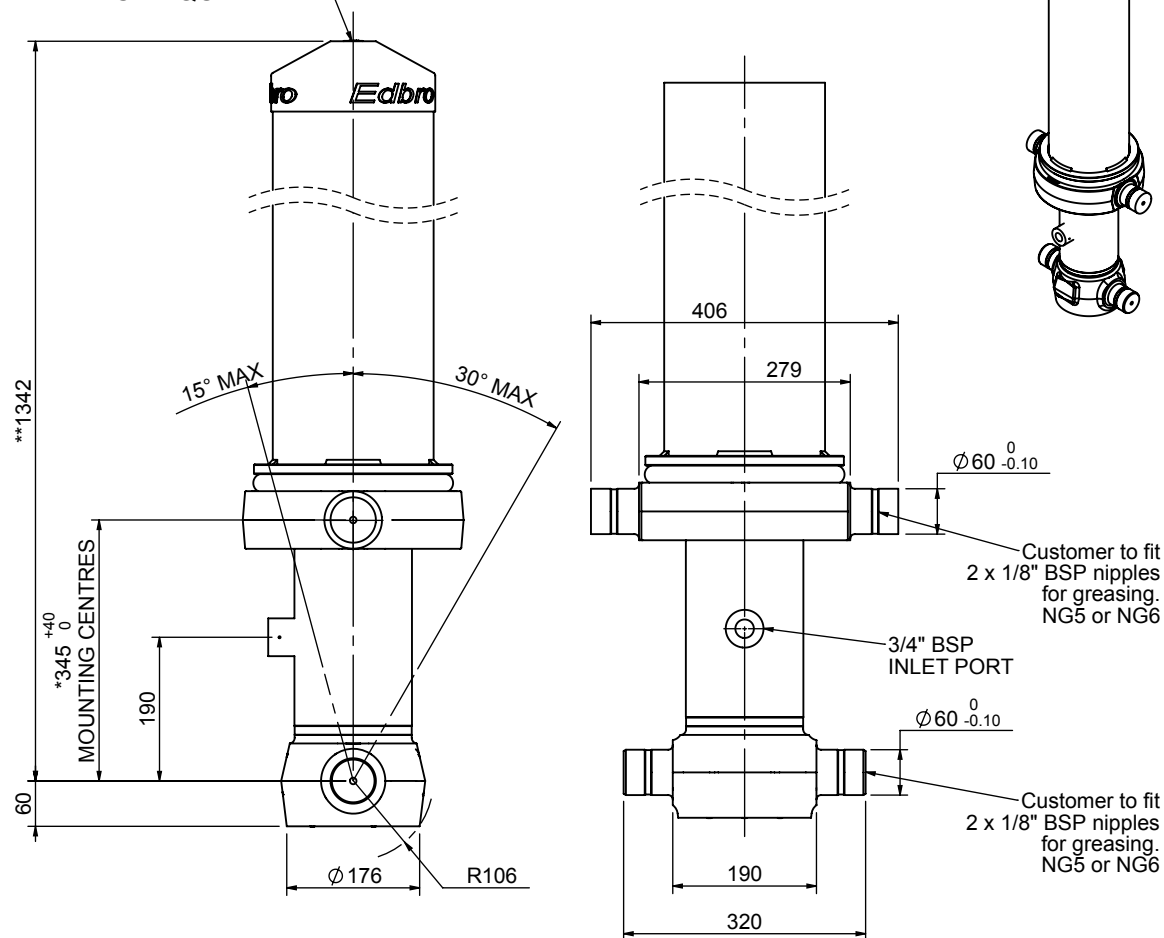


# Cylinder 4 stage with double acting 4th stage

**\*\*ALLOW 50mm TO REMOVE CAP FOR SERVICING**



CUSTOMER TO CUT ACCESS HOLE IN CAP AS REQUIRED

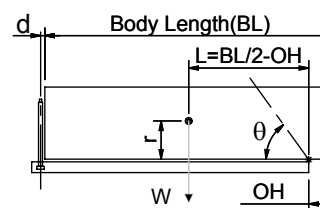


\*Includes 14mm Pull Out.

## CB130044161B19A11

SPECIFICATION		TIPPING CAPACITY :27-39 TONNES***		
Stage	Diameter	Length	Stroke	Swept Volume
OUTER COVER	213	955	-	-
0	155	1275	-	-
1	136	1240	1033	15
2	117	1240	1062	11
3	98	1240	1067	8
4R	87	1240	999	-
4	79	1240	999	5
Total (+5/-10)			4161	39
Final stroke reduced by	0	Priming Volume		10
Cylinder Mass (Kg)	160	Total Volume (Litres)		49
Maximum Pressure (Bar)	150	Max. first stage thrust		170 KN

### \*\*\*TIPPING CAPACITY AT WORKING PRESSURE



BODY LENGTH (BL)						OH
5250	5500	5750				
29	47°	28	44°	27	42°	150
35	50°	32	47°	31	45°	450
		39	50	36	48°	750

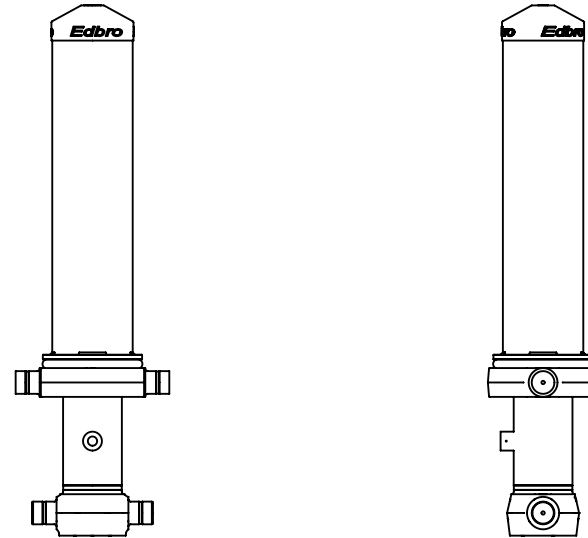
d = 178; r = 750; Working Pressure 150 bar

Tipping angle (θ)  
Body + payload mass, W (tonne)

Retract force @ Stage 4 = 15.65kN @150bar maximum pressure

### NOTES

- This cylinder is for lifting purposes only and side load conditions should be avoided
- Cylinder is painted in primer paint to RAL5013
- Refer to [www.edbro.com](http://www.edbro.com) for:-
  - Bracket details
  - Installation instructions that must be observed
  - Correct oil selection
  - An explanation of tipping capacity
- This cylinder is typically for intermittent use in vacuum tanker applications. Refer to Edbro for other uses.



CB130044161B19A11