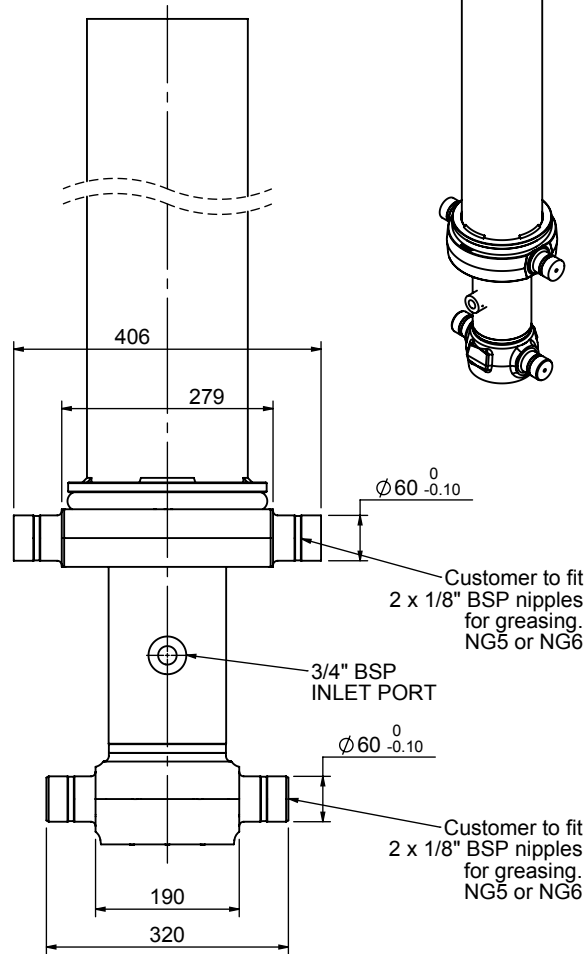
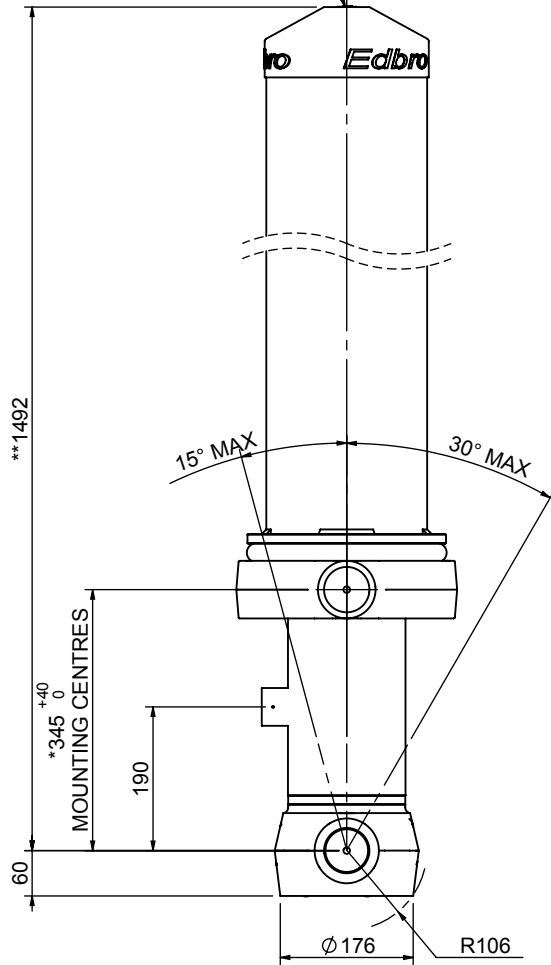
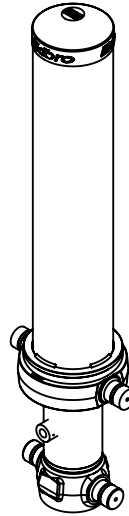
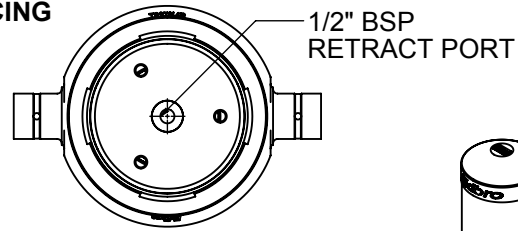


# Cylinder 4 stage with double acting 4th stage

**\*\*ALLOW 50mm TO REMOVE CAP FOR SERVICING**

CUSTOMER TO CUT ACCESS HOLE IN CAP AS REQUIRED

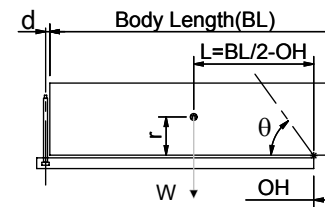


\*Includes 14mm Pull Out.

## CB130044761B19A11

SPECIFICATION		TIPPING CAPACITY :26-38 TONNES***		
Stage	Diameter	Length	Stroke	Swept Volume
OUTER COVER	213	1105	-	-
0	155	1425	-	-
1	136	1390	1183	17
2	117	1390	1212	13
3	98	1390	1217	9
4R	87	1390	1149	-
4	79	1390	1149	6
Total (+5/-10)			4761	45
Final stroke reduced by	0	Priming Volume		12
Cylinder Mass (Kg)	174	Total Volume (Litres)		57
Maximum Pressure (Bar)	150	Max. first stage thrust		170 KN

### \*\*\*TIPPING CAPACITY AT WORKING PRESSURE



BODY LENGTH (BL)						OH
6000	6250	6500				
28	47°	27	45°	26	43°	150
32	49°	30	47°	29	45°	450
38	52°	35	50°	33	48°	750

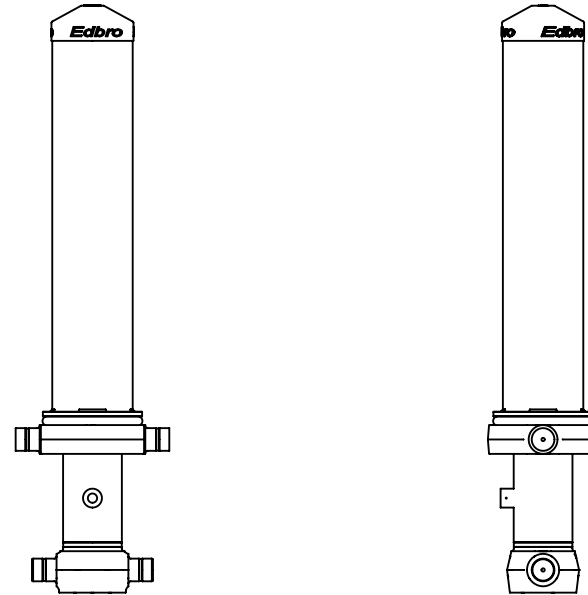
d = 178; r = 750; Working Pressure 150 bar

Tipping angle (θ)  
Body + payload mass, W (tonne)

Retract force @ Stage 4 = 15.65kN @150bar maximum pressure

### NOTES

1. This cylinder is for lifting purposes only and side load conditions should be avoided
2. Cylinder is painted in primer paint to RAL5013
3. Refer to [www.edbro.com](http://www.edbro.com) for :-
  - Bracket details
  - Installation instructions that must be observed
  - Correct oil selection
  - An explanation of tipping capacity
4. This cylinder is typically for intermittent use in vacuum tanker applications. Refer to Edbro for other uses.



CB130044761B19A11