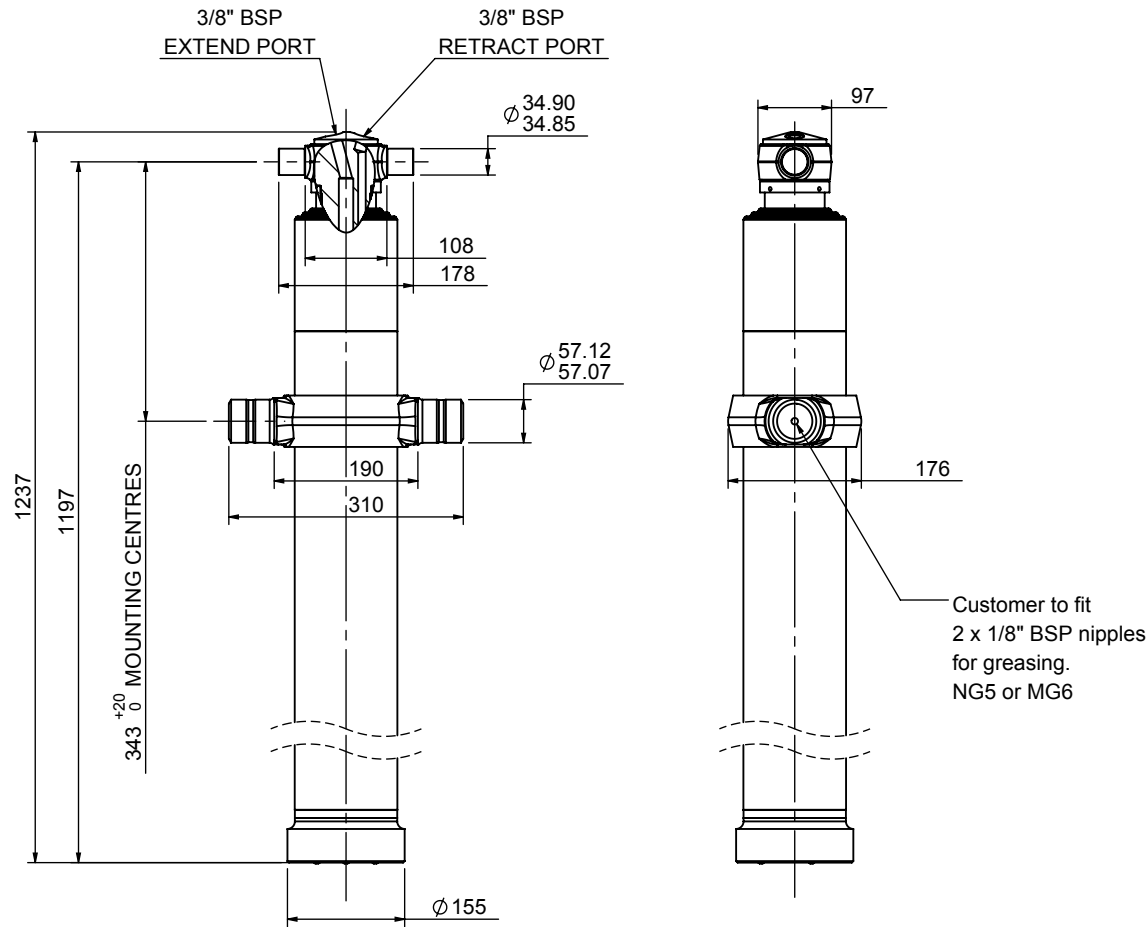


Double acting cylinder 3 stage with trunnion

CD11TT3002674BA10343



SPECIFICATION

Stage	Tube Diameter	Tube Bore	Length	Stroke	Swept Volume (Extend)	Swept Volume (Retract)
Base	136	125	1125	-	-	-
1	117	106	1090	887	10.9	1.3
2	98	87	1090	891	7.9	1.1
3	79	71	1115	896	5.3	0.9
Total (+5/-10)				2674	mm	
Final stroke reduced by				0	mm	
Swept Vol (Extend)				24.1	Litres	
Swept Vol (Retract)				3.3	Litres	
Maximum Pressure				175	Bar	
Operating Pressure				175	Bar	
Cylinder Mass				82	kg	
Stage	Thrust (t)					
	Extend	Retract				
1	21.9	2.7				
2	15.7	2.3				
3	10.6	1.9				

NOTES

- This cylinder is intended for load ejection purposes only and should not be used for compacting.
- Cylinder is painted in primer to RAL5013.
- Refer to www.edbro.com for:-
 - Bracket details
 - Installation instructions that must be observed
 - Correct oil selection
 - An explanation of ejection capacity

INNER TUBES HARD CHROMED



JOST UK LTD
 Edbro House, Nelson Street, Bolton, England, BL3 2JJ
 Tel +44 (0) 1204 528888 Fax +44 (0) 1204 531957
 Email: sales@jost-world.com Web: www.edbro.com

Technical Specifications are subject to change without notice
 Date Created/Updated: 31 July 2018
 Refer www.edbro.com to confirm latest specification
 All dimensions are in 'mm', unless otherwise stated