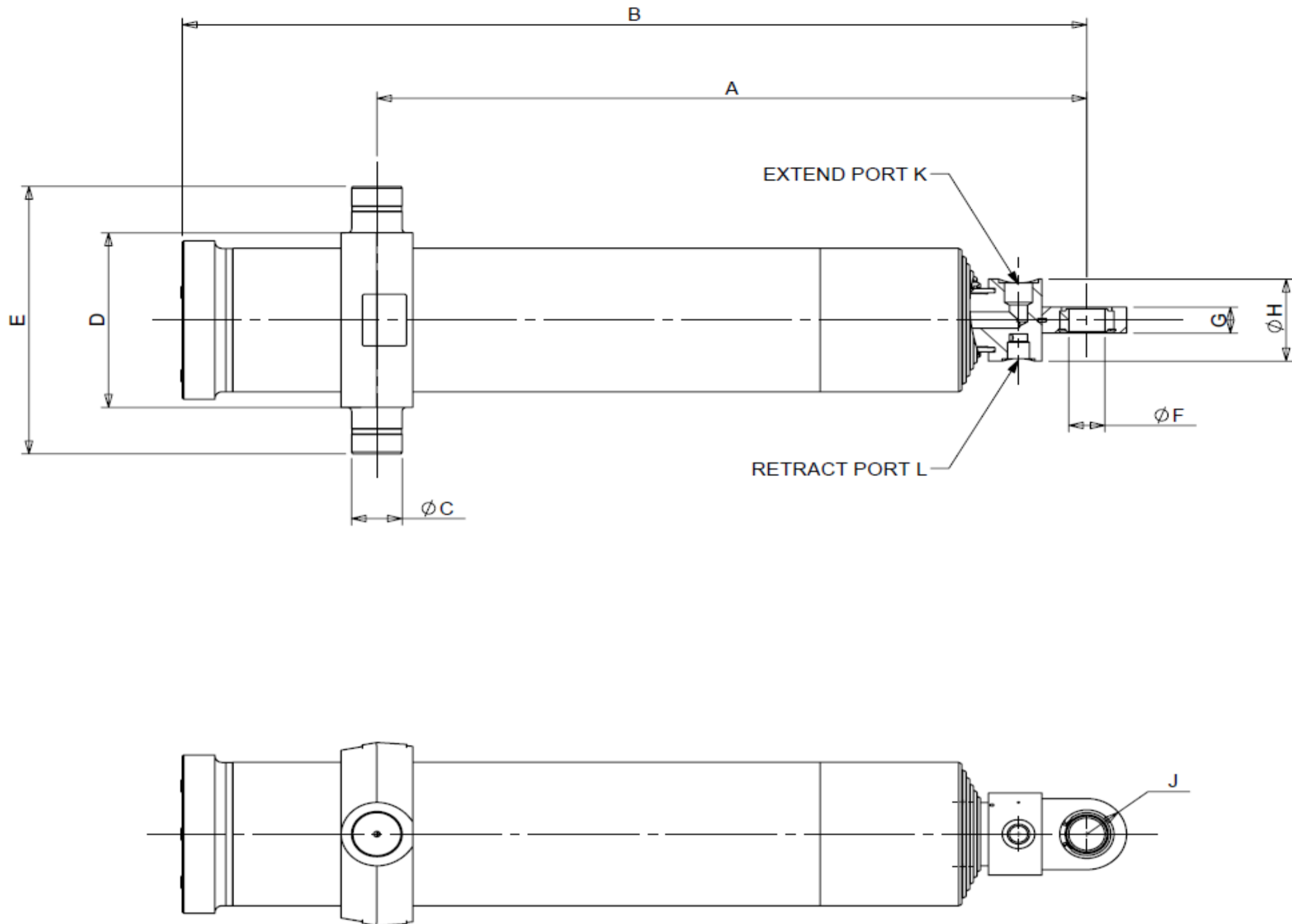


Datasheet for Cylinder CD13TS4001456BA10467

4 stage cylinder with trunnion mount & spherical eye



All stages hard chromed

Approx. weight 77kg

SPECIFICATION

Stage	Tube Diameter (mm)	Tube Bore (mm)	Length (mm)	Stroke (mm)	Extend Swept Volume (Litres)	Retract Swept Volume (Litres)	Maximum Thrust Extend/Retract (Tonnes)	Operating Thrust Extend/Retract (Tonnes)
Base	155	144	602	-	-	-	-	-
1st Stage	136	125	568	349	5.7	0.6	31.5	31.5
2nd Stage	117	106	568	364	4.5	0.6	23.8	23.8
3rd Stage	98	87	568	369	3.3	0.5	17.1	17.1
4th Stage								
5th Stage								
6th Stage								
7th Stage								
Small Inner	79.5	71	593	374	2.2	0.4	11.5 1.9	11.5 1.9
Total				1456	15.7	2.1		

APPLICATION INFORMATION

Operating Pressure	190	Bar	Swept Oil Volume (Extend)	15.6 Litres
Maximum Pressure	190	Bar	Swept Oil Volume (Retract)	2 Litres

DIMENSIONS

A	467	mm	E	310	mm	J	-	mm
B	775	mm	øF	50.000 49.998	mm	K	G1.1/4"	
øC	57.15 57.05	mm	G	-	mm	L	G1"	
D	190	mm	øH	127	mm			

Notes

- This cylinder is intended for load ejection purposes only and should not be used for compacting.
- Cylinder is painted in primer to RAL5013
- Refer to www.edbro.com for:-
 - Bracket details
 - Installation instructions that must be observed
 - Correct oil selection
 - An explanation of ejection capacity