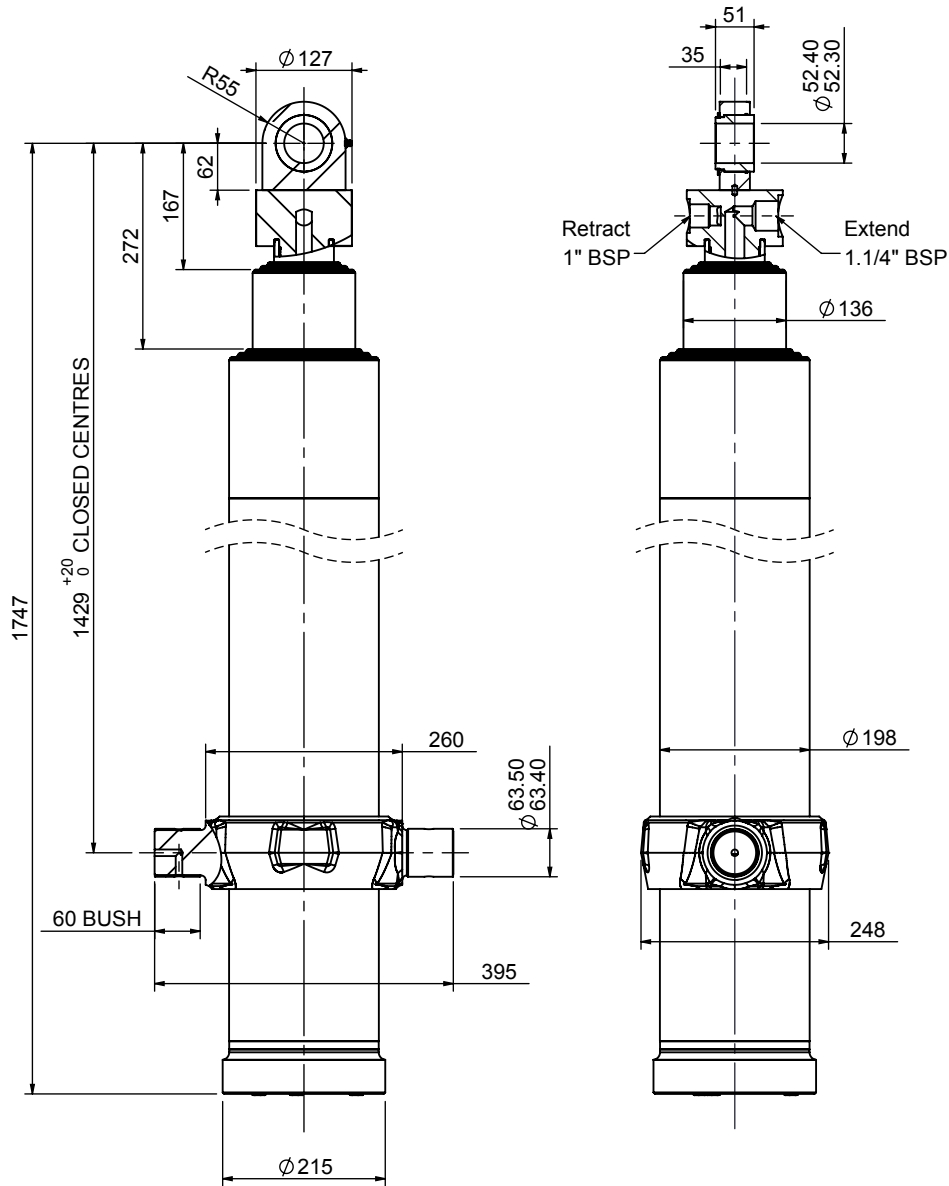


Cylinder 6 stage front end with spherical eye

CD17TS6007602BA11429AD

SPECIFICATION

Stage	Tube Diameter	Tube Bore	Length	Stroke	Swept Volume (Extend)	Swept Volume (Retract)
Base	198	184	1465	-	-	-
1	176	163	1431	1192	31.7	2.7
2	155	144	1431	1202	25.1	2.4
3	136	125	1531	1212	19.7	2.1
4	117	106	1531	1327	16.3	2.0
5	98	87	1531	1332	11.8	1.7
6	79	71	1556	1337	7.9	1.4
Total (+5/-10)				7602	mm	
Final stroke reduced by				0	mm	
Swept Vol (Extend)				112.5	Litres	
Swept Vol (Retract)				12.3	Litres	
Maximum Pressure				190	Bar	
Operating Pressure				190	Bar	
Cylinder Mass				242	Kg	
Stage	Thrust @ Max.Press		Thrust @ Op. Press			
	Extend	Retract	Extend	Retract		
1	51.5	4.4	51.5	4.4		
2	40.4	3.9	40.4	3.9		
3	31.5	3.4	31.5	3.4		
4	23.8	2.9	23.8	2.9		
5	17.1	2.5	17.1	2.5		
6	11.5	2.0	11.5	2.0		



INNER TUBES HARD CHROMED



JOST UK Ltd
 Edbro House, Nelson Street, Bolton, England, BL3 2JJ
 Tel +44 (0) 1204 528888 Fax +44 (0) 1204 531957
 Email: sales@jost-world.com Web: www.edbro.com

Technical Specifications are subject to change without notice
 Date Created/Updated: 29 October 2018
 Refer www.edbro.com to confirm latest specification
 All dimensions are in 'mm', unless otherwise stated

