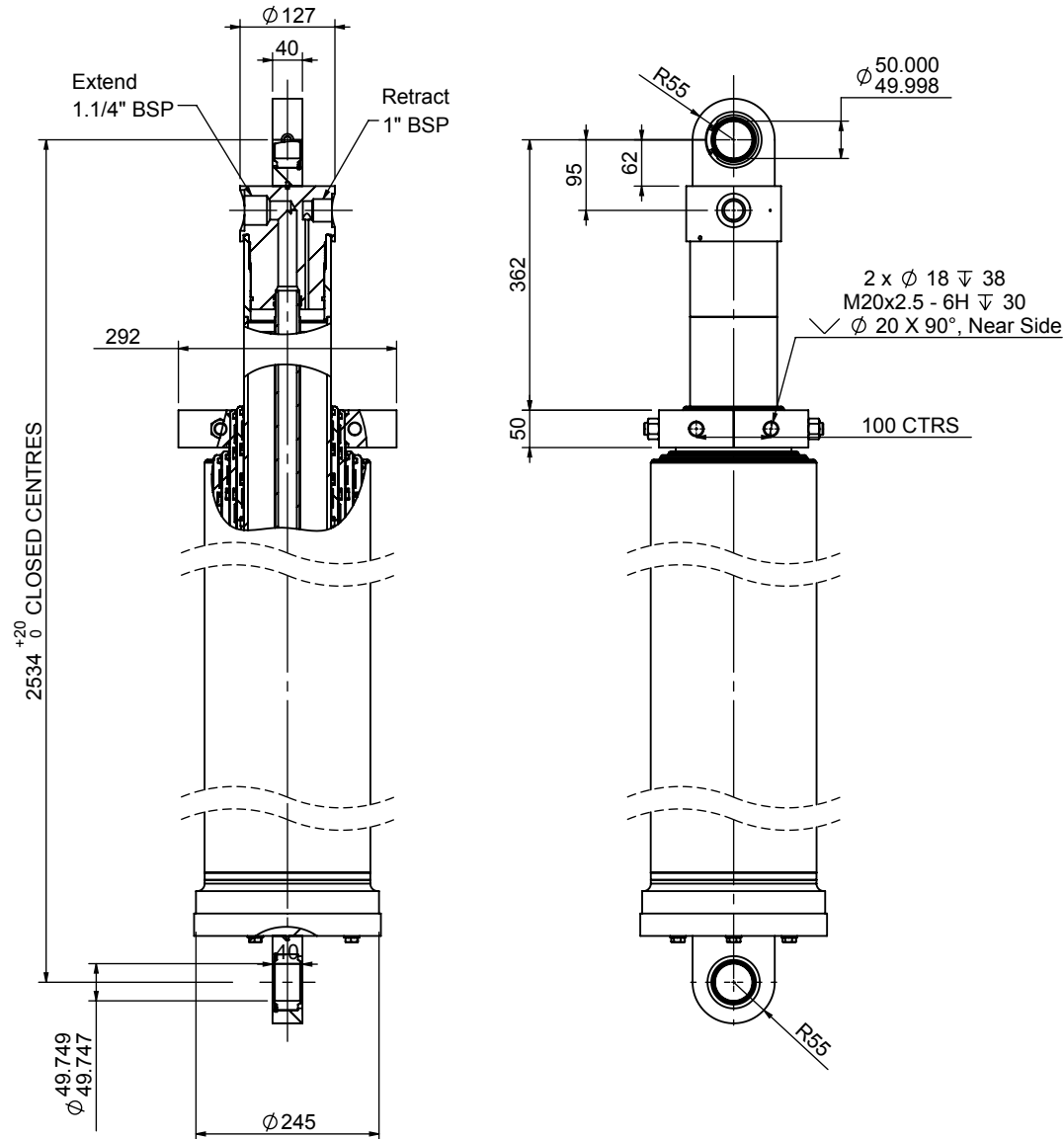


# Cylinder 5 stage with spherical eyes

CD19SS5308810BC92534



## SPECIFICATION

Stage	Tube Diameter	Tube Bore	Length	Stroke	Swept Volume (Extend)	Swept Volume (Retract)
Base	222	206	2029	-	-	-
1	198	184	1990	1741	58.0	4.4
2	176	163	1990	1751	46.6	4.0
3	155	144	2040	1761	36.8	3.5
4	136	125	2040	1821	29.7	3.2
5	116	106	2265	1736	21.3	3.0
Total (+5/-10)				8810	mm	
Final stroke reduced by				0	mm	
Swept Vol (Extend)				192.4	Litres	
Swept Vol (Retract)				18.1	Litres	
Maximum Pressure				190	Bar	
Operating Pressure				190	Bar	
Cylinder Mass				370	Kg	
Stage	Thrust @ Max.Press		Thrust @ Op.Press			
	Extend	Retract	Extend	Retract		
1	64.6	4.9	64.6	4.9		
2	51.5	4.4	51.5	4.4		
3	40.4	3.9	40.4	3.9		
4	31.5	3.4	31.5	3.4		
5	23.8	3.3	23.8	3.3		

## NOTES

- This cylinder is intended for load ejection purposes only and should not be used for compacting.
- Cylinder is painted in primer to RAL5013.
- Refer to [www.edbro.com](http://www.edbro.com) for:-
  - Bracket details
  - Installation instructions that must be observed
  - Correct oil selection
  - An explanation of ejection capacity

INNER TUBES HARD CHROMED



**JOST UK Ltd**  
 Edbro House, Nelson Street, Bolton, England, BL3 2JJ  
 Tel +44 (0) 1204 528888 Fax +44 (0) 1204 531957  
 Email: [sales@jost-world.com](mailto:sales@jost-world.com) Web: [www.edbro.com](http://www.edbro.com)

Technical Specifications are subject to change without notice  
 Date Created/Updated: 18 January 2019  
 Refer [www.edbro.com](http://www.edbro.com) to confirm latest specification  
 All dimensions are in 'mm', unless otherwise stated

