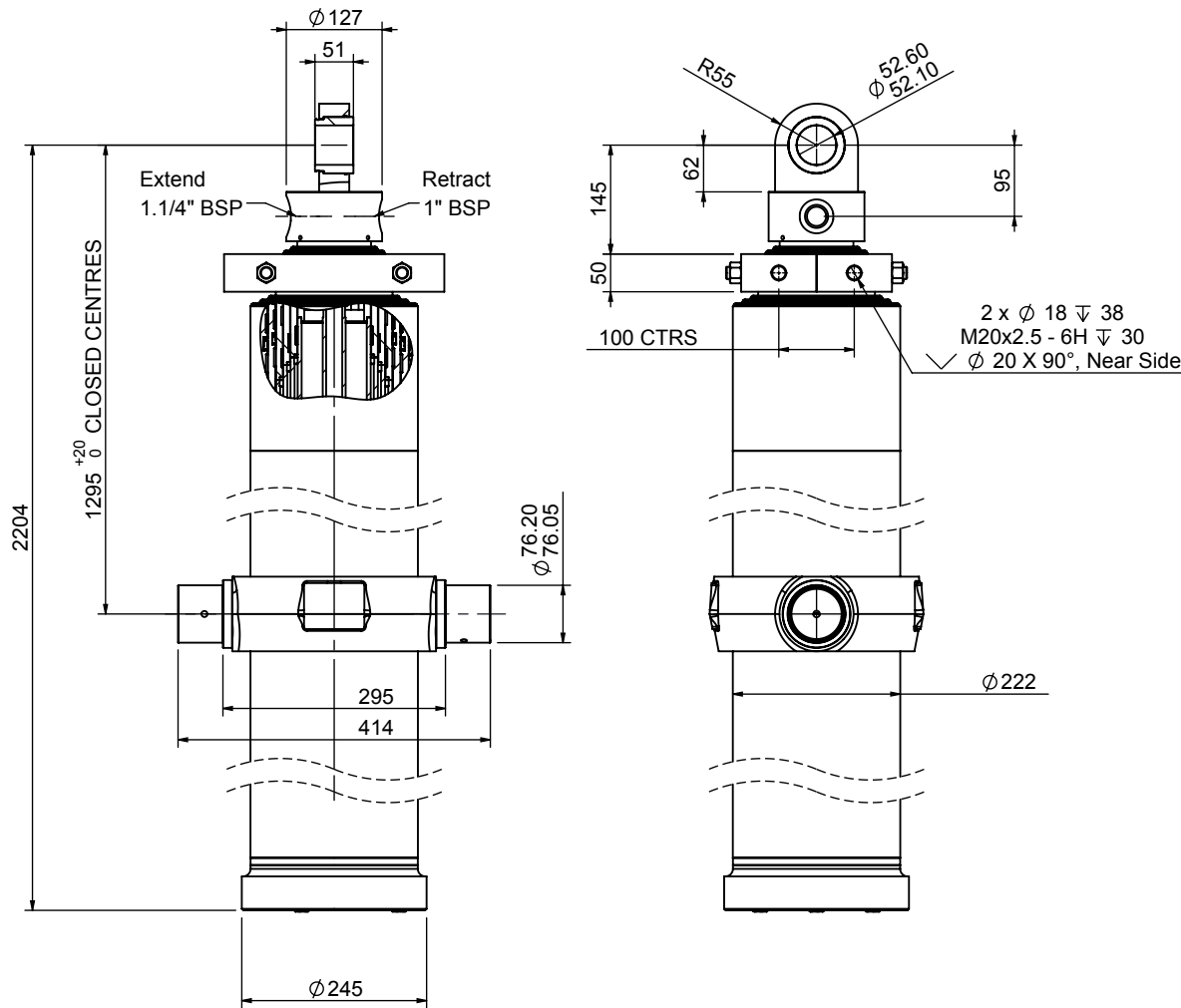


Cylinder 6 stage front end with spherical eye

CD19TE6310536BA11295M



SPECIFICATION

Stage	Tube Diameter	Tube Bore	Length	Stroke	Swept Volume (Extend)	Swept Volume (Retract)
Base	222	206	1994	-	-	-
1	198	184	1954	1706	56.9	4.3
2	176	163	1954	1715	45.6	3.9
3	155	144	2004	1725	36.0	3.4
4	136	125	2004	1785	29.1	3.1
5	116	106	2004	1800	22.1	3.1
6	98	87	2015	1805	15.9	2.3
Total (+5/-10)				10536	mm	
Final stroke reduced by				0	mm	
Swept Vol (Extend)				205.6	Litres	
Swept Vol (Retract)				20.1	Litres	
Maximum Pressure				200	Bar	
Operating Pressure				200	Bar	
Cylinder Mass				431	Kg	
Stage	Thrust (t)					
	Extend	Retract				
1	68.0	5.2				
2	54.2	4.6				
3	42.5	4.1				
4	33.2	3.6				
5	25.0	3.5				
6	18.0	2.6				

INNER TUBES HARD CHROMED



Edbro plc
 Nelson Street, Bolton, England, BL3 2JJ
 Tel +44 (0) 1204 528888 Fax +44 (0) 1204 531957
 Email: postmaster@edbro.com Web: www.edbro.com

Technical Specifications are subject to change without notice
 Date Created/Updated: 26 July 2018
 Refer www.edbro.com to confirm latest specification
 All dimensions are in 'mm', unless otherwise stated

