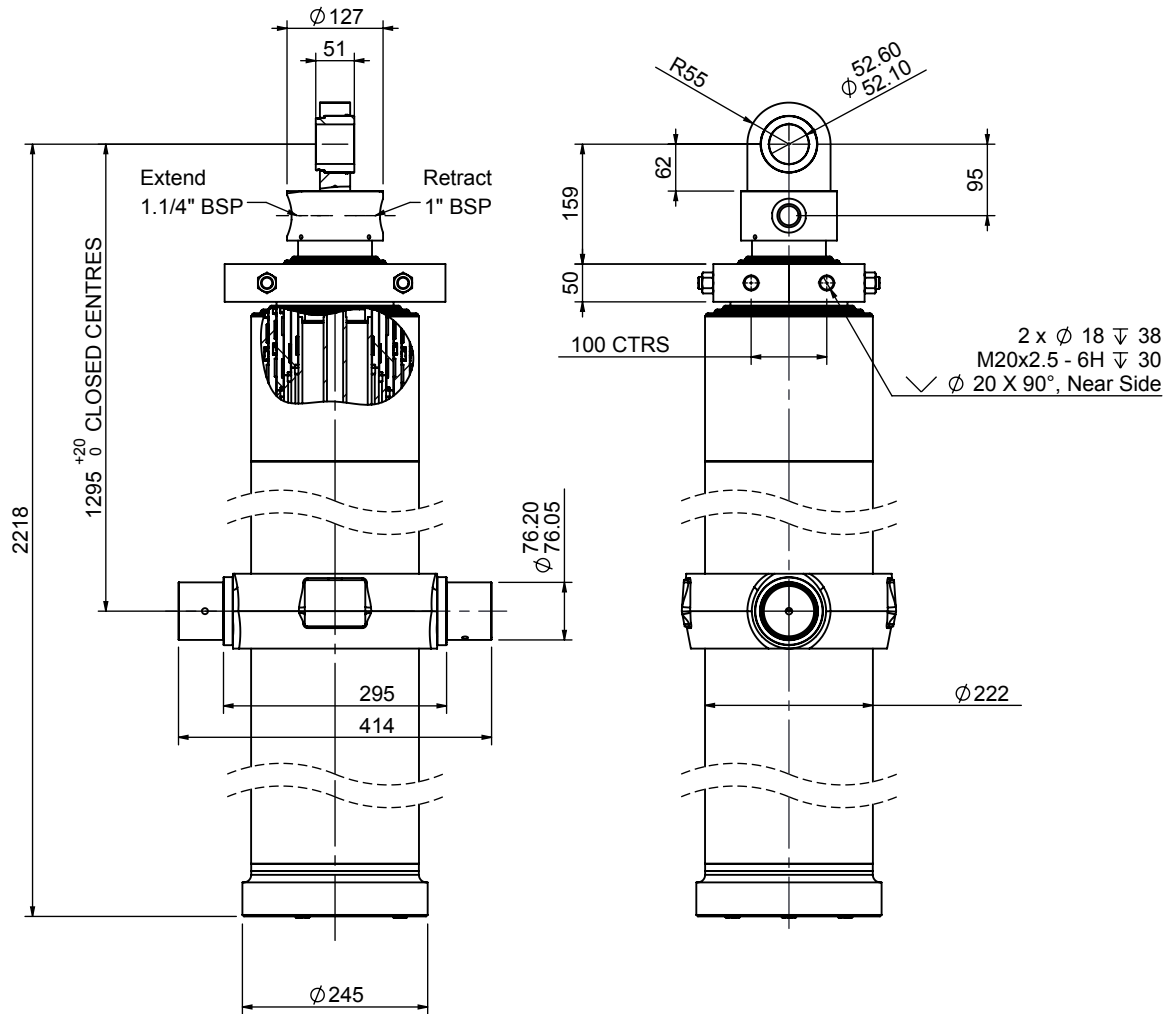


Cylinder 6 stage front end with spherical eye

CD19TE6310536BA11295M



SPECIFICATION

| Stage | Tube Diameter | Tube Bore | Length | Stroke | Swept Volume (Extend) | Swept Volume (Retract) |
|-------------------------|---------------|-----------|--------|--------|-----------------------|------------------------|
| Base | 222 | 206 | 1994 | - | - | - |
| 1 | 198 | 184 | 1954 | 1706 | 56.9 | 4.3 |
| 2 | 176 | 163 | 1954 | 1715 | 45.6 | 3.9 |
| 3 | 155 | 144 | 2004 | 1725 | 36.0 | 3.4 |
| 4 | 136 | 125 | 2004 | 1785 | 29.1 | 3.1 |
| 5 | 116 | 106 | 2004 | 1800 | 22.1 | 3.1 |
| 6 | 98 | 87 | 2029 | 1805 | 15.9 | 2.3 |
| Total (+5/-10) | | | | 10536 | mm | |
| Final stroke reduced by | | | | 0 | mm | |
| Swept Vol (Extend) | | | | 205.6 | Litres | |
| Swept Vol (Retract) | | | | 20.1 | Litres | |
| Maximum Pressure | | | | 200 | Bar | |
| Operating Pressure | | | | 200 | Bar | |
| Cylinder Mass | | | | 431 | Kg | |
| Stage | Thrust (t) | | | | | |
| | Extend | Retract | | | | |
| 1 | 68.0 | 5.2 | | | | |
| 2 | 54.2 | 4.6 | | | | |
| 3 | 42.5 | 4.1 | | | | |
| 4 | 33.2 | 3.6 | | | | |
| 5 | 25.0 | 3.5 | | | | |
| 6 | 18.0 | 2.6 | | | | |

INNER TUBES HARD CHROMED



JOST UK Ltd
 Edbro House, Nelson Street, Bolton, England, BL3 2JJ
 Tel +44 (0) 1204 528888 Fax +44 (0) 1204 531957
 Email: sales@jost-world.com Web: www.edbro.com

Technical Specifications are subject to change without notice
 Date Created/Updated: 02 August 2018
 Refer www.edbro.com to confirm latest specification
 All dimensions are in 'mm', unless otherwise stated

