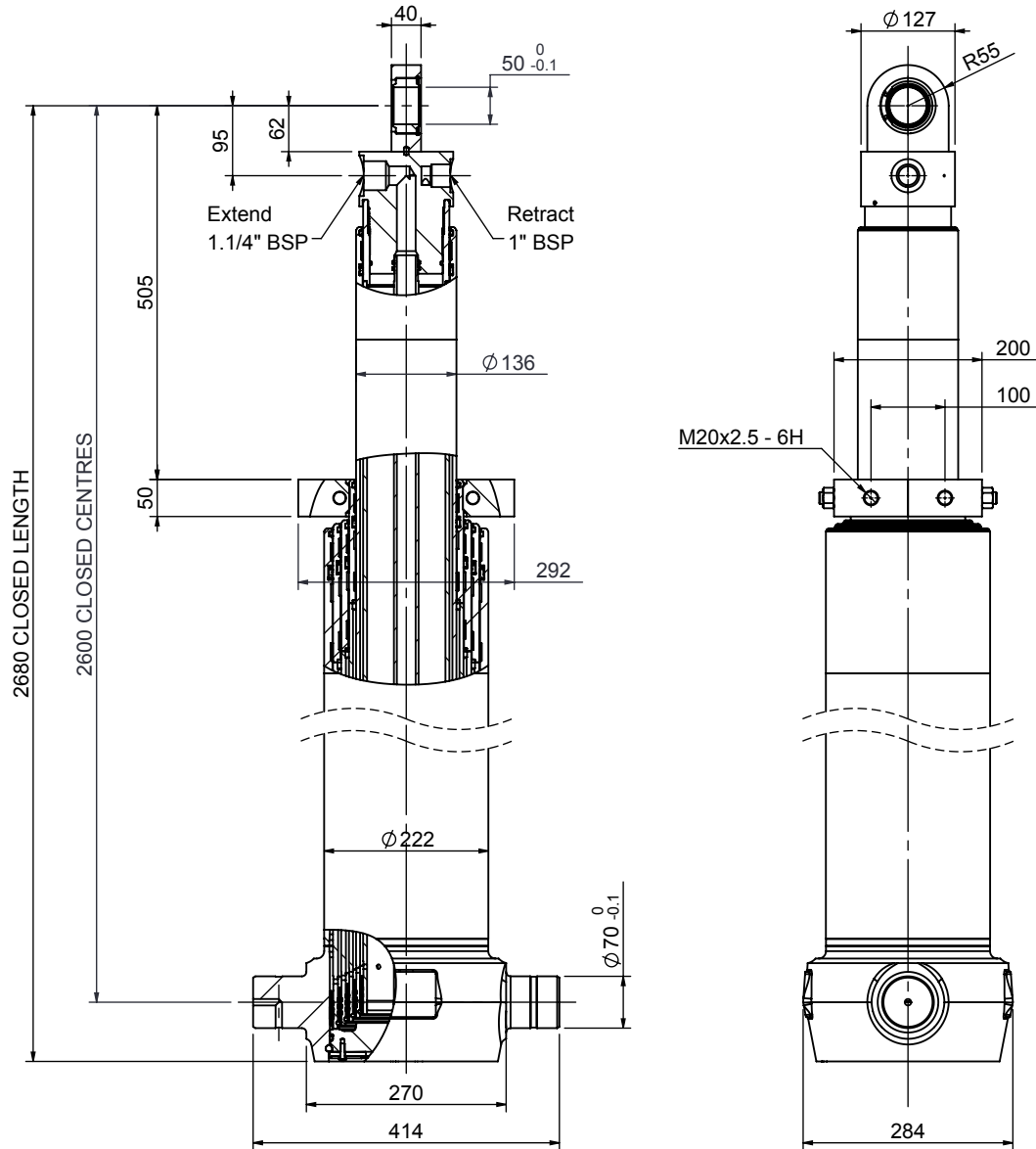


Cylinder 5 stage with trunnion & spheric eye

CD19TS5309650BA12600AB



SPECIFICATION

Stage	Tube Diameter	Tube Bore	Length	Stroke	Swept Volume (Extend)	Swept Volume (Retract)
Base	222	206	2109	-	-	-
1	198	184	2071	1821	60.7	4.6
2	176	163	2071	1832	48.7	4.1
3	155	144	2121	1842	38.4	3.7
4	136	125	2457	1902	31.0	3.3
5	116	106	2489	2253	27.7	3.8
Total (+5/-10)				9650	mm	
Final stroke reduced by				0	mm	
Swept Vol (Extend)				206.5	Litres	
Swept Vol (Retract)				19.5	Litres	
Maximum Pressure				190	Bar	
Operating Pressure				135	Bar	
Cylinder Mass				407	Kg	
Stage	Thrust (t) @ Op. Pr.		Thrust (t) @ Max. Pr.			
	Extend	Retract	Extend	Retract		
1	45.9	3.5	64.6	4.9		
2	36.6	3.1	51.5	4.4		
3	28.7	2.7	40.4	3.9		
4	22.4	2.4	31.5	3.4		
5	16.9	2.3	23.8	3.3		

INNER TUBES HARD CHROMED



JOST UK Ltd
 Edbro House, Nelson Street, Bolton, England, BL3 2JJ
 Tel +44 (0) 1204 528888 Fax +44 (0) 1204 531957
 Email: sales@jost-world.com Web: www.edbro.com

Technical Specifications are subject to change without notice
 Date Created/Updated: 06 September 2018
 Refer www.edbro.com to confirm latest specification
 All dimensions are in 'mm', unless otherwise stated