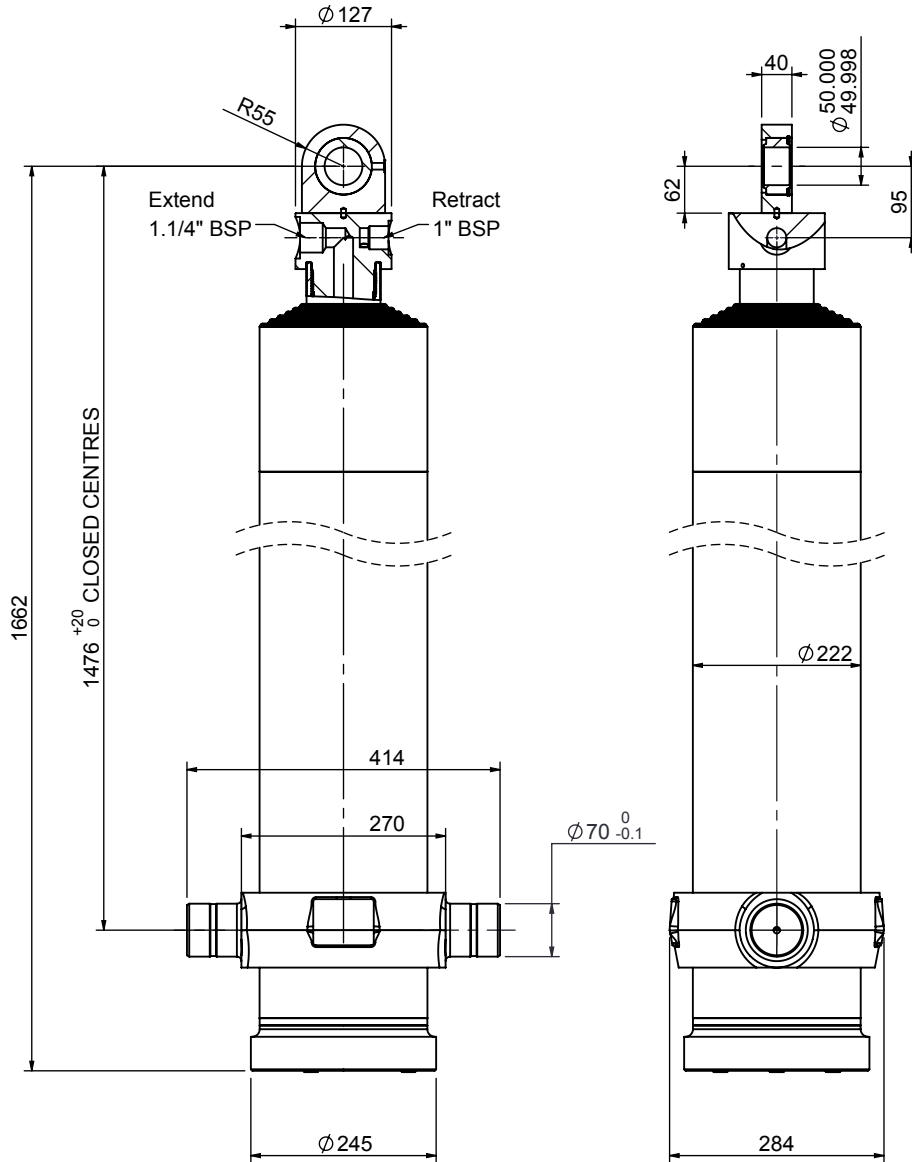


Cylinder 6 stage front end with spherical eye

CD19TS6007151NA21476



SPECIFICATION

Stage	Tube Diameter	Tube Bore	Length	Stroke	Swept Volume (Extend)	Swept Volume (Retract)
Base	222	206	1454	-	-	-
1	198	184	1415	1166	38.9	3.0
2	176	163	1415	1176	31.3	2.7
3	155	144	1415	1186	24.8	2.4
4	136	125	1415	1196	19.5	2.1
5	116	106	1415	1211	14.9	2.1
6	98	87	1465	1216	10.7	1.6
Total (+5/-10)				7151	mm	
Final stroke reduced by				0	mm	
Swept Vol (Extend)				140.1	Litres	
Swept Vol (Retract)				13.9	Litres	
Maximum Pressure				190	Bar	
Operating Pressure				190	Bar	
Cylinder Mass				292	Kg	
Stage	Thrust @ Max.Press		Thrust @ Op. Press			
	Extend	Retract	Extend	Retract		
1	64.6	4.9	64.6	4.9		
2	51.5	4.4	51.5	4.4		
3	40.4	3.9	40.4	3.9		
4	31.5	3.4	31.5	3.4		
5	23.8	3.3	23.8	3.3		
6	17.1	2.5	17.1	2.5		

INNER TUBES HARD CHROMED



JOST UK Ltd
 Edbro House, Nelson Street, Bolton, England, BL3 2JJ
 Tel +44 (0) 1204 528888 Fax +44 (0) 1204 531957
 Email: sales@jost-world.com Web: www.edbro.com

Technical Specifications are subject to change without notice
 Date Created/Updated: 08 October 2018
 Refer www.edbro.com to confirm latest specification
 All dimensions are in 'mm', unless otherwise stated