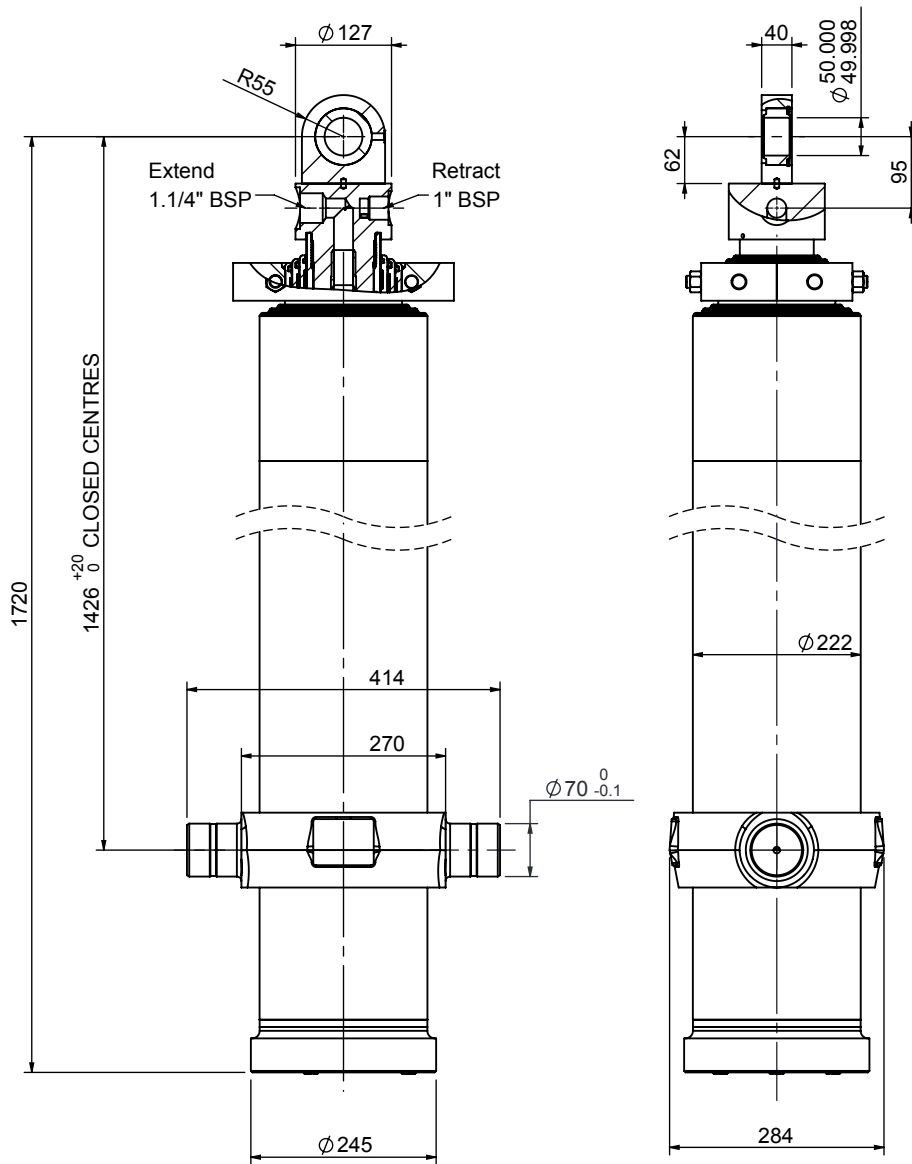


# Cylinder 6 stage front end with spherical eye

CD19TS6307499NA11426



## SPECIFICATION

Stage	Tube Diameter	Tube Bore	Length	Stroke	Swept Volume (Extend)	Swept Volume (Retract)
Base	222	206	1487	-	-	-
1	198	184	1448	1199	40.0	3.0
2	176	163	1448	1209	32.2	2.7
3	155	144	1498	1219	25.4	2.4
4	136	125	1498	1279	20.8	2.3
5	116	106	1498	1294	15.9	2.2
6	98	87	1523	1299	11.5	1.7
Total (+5/-10)				7499	mm	
Final stroke reduced by				0	mm	
Swept Vol (Extend)				145.8	Litres	
Swept Vol (Retract)				14.3	Litres	
Maximum Pressure				190	Bar	
Operating Pressure				190	Bar	
Cylinder Mass				292	Kg	
Stage	Thrust @ Max.Press		Thrust @ Op. Press			
	Extend	Retract	Extend	Retract		
1	64.6	4.9	64.6	4.9		
2	51.5	4.4	51.5	4.4		
3	40.4	3.9	40.4	3.9		
4	31.5	3.4	31.5	3.4		
5	23.8	3.3	23.8	3.3		
6	17.1	2.5	17.1	2.5		

## NOTES

- This cylinder is intended for load ejection purposes only and should not be used for compacting.
- Cylinder is painted in primer to RAL5013.
- Refer to [www.edbro.com](http://www.edbro.com) for:-
  - Bracket details
  - Installation instructions that must be observed
  - Correct oil selection
  - An explanation of ejection capacity

INNER TUBES HARD CHROMED



**JOST UK Ltd**  
 Edbro House, Nelson Street, Bolton, England, BL3 2JJ  
 Tel +44 (0) 1204 528888 Fax +44 (0) 1204 531957  
 Email: [sales@jost-world.com](mailto:sales@jost-world.com) Web: [www.edbro.com](http://www.edbro.com)

Technical Specifications are subject to change without notice  
 Date Created/Updated: 28 March 2019  
 Refer [www.edbro.com](http://www.edbro.com) to confirm latest specification  
 All dimensions are in 'mm', unless otherwise stated

