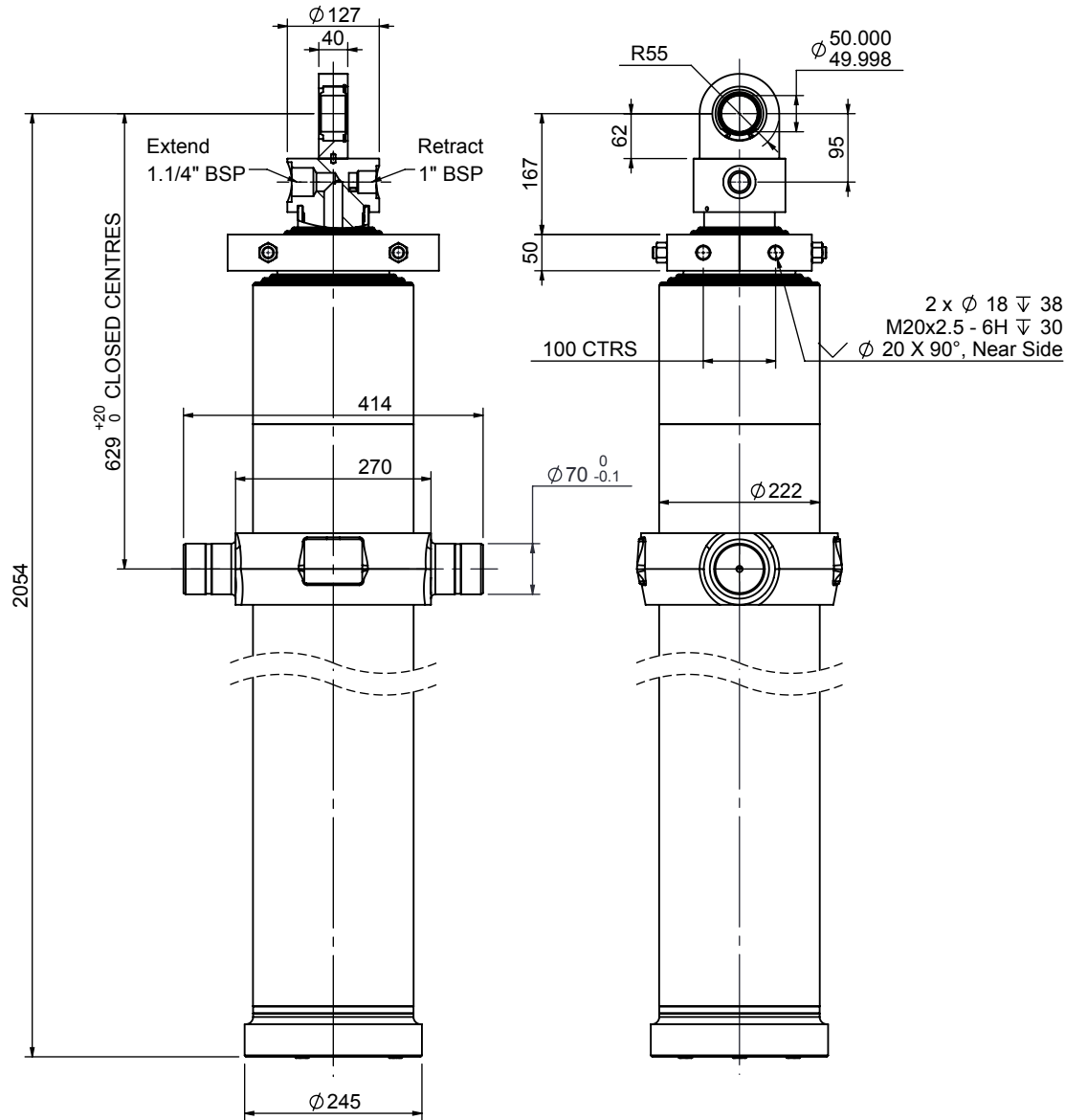


# Cylinder 6 stage front end with spherical eye

CD19TS6309503BA10629



## SPECIFICATION

Stage	Tube Diameter	Tube Bore	Length	Stroke	Swept Volume (Extend)	Swept Volume (Retract)
Base	222	206	1821	-	-	-
1	198	184	1782	1533	51.1	3.9
2	176	163	1782	1543	41.0	3.5
3	155	144	1832	1553	32.4	3.1
4	136	125	1832	1613	26.3	2.8
5	116	106	1832	1628	20.0	2.8
6	98	87	1857	1633	14.4	2.1
Total (+5/-10)				9503	mm	
Final stroke reduced by				0	mm	
Swept Vol (Extend)				185.2	Litres	
Swept Vol (Retract)				18.2	Litres	
Maximum Pressure				190	Bar	
Operating Pressure				190	Bar	
Cylinder Mass				371	Kg	
Stage	Thrust @ Max Press		Thrust @ Op.Press			
	Extend	Retract	Extend	Retract		
1	64.6	4.9	64.6	4.9		
2	51.5	4.4	51.5	4.4		
3	40.4	3.9	40.4	3.9		
4	31.5	3.4	31.5	3.4		
5	23.8	3.3	23.8	3.3		
6	17.1	2.5	17.1	2.5		

INNER TUBES HARD CHROMED



**JOST UK Ltd**  
 Edbro House, Nelson Street, Bolton, England, BL3 2JJ  
 Tel +44 (0) 1204 528888 Fax +44 (0) 1204 531957  
 Email: sales@jost-world.com Web: www.edbro.com

Technical Specifications are subject to change without notice  
 Date Created/Updated: 24 September 2018  
 Refer [www.edbro.com](http://www.edbro.com) to confirm latest specification  
 All dimensions are in 'mm', unless otherwise stated

