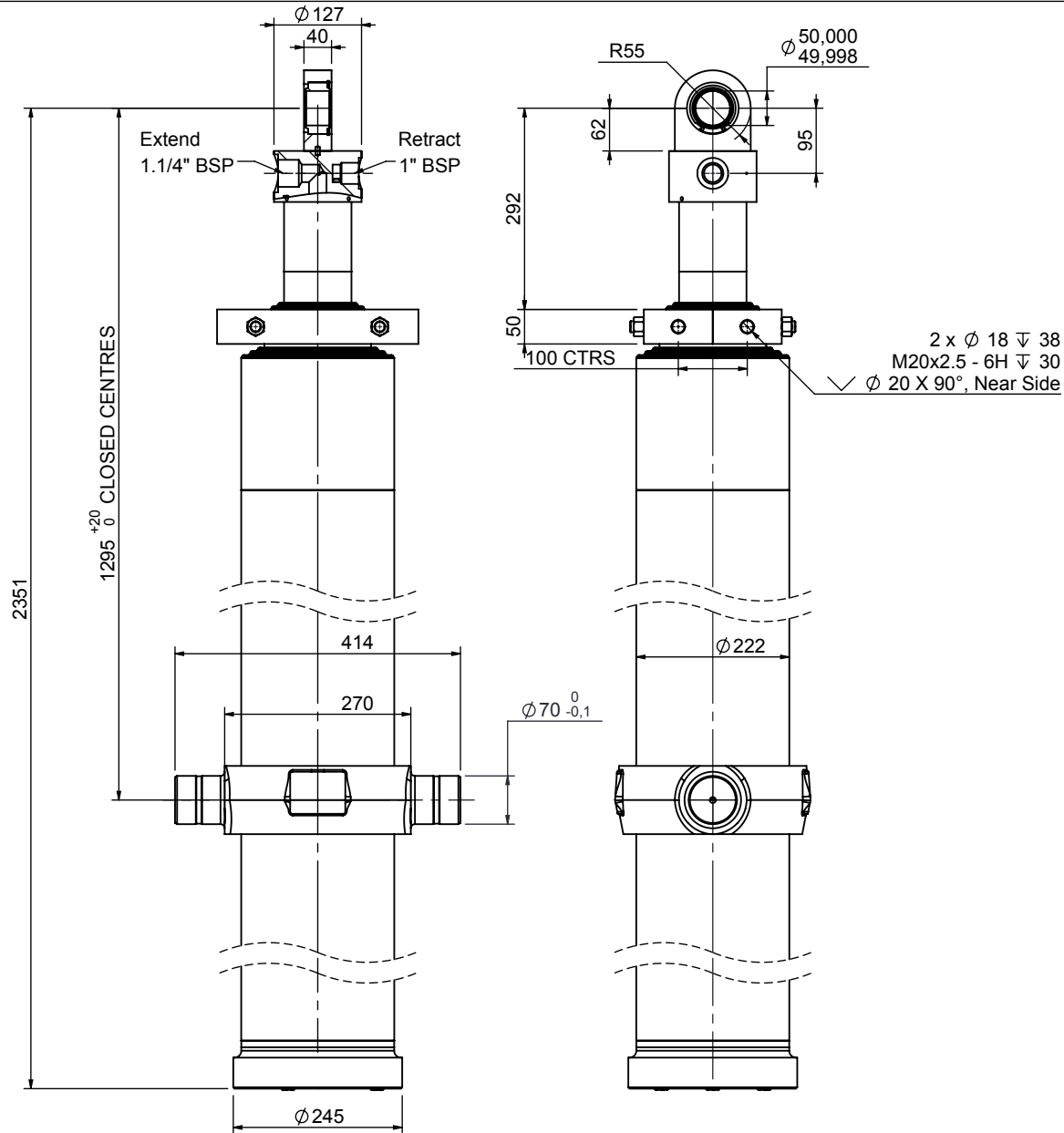


Cylinder 6 stage front end with spherical eye

CD19TS6310035BL61295



SPECIFICATION

Stage	Tube Diameter	Tube Bore	Length	Stroke	Swept Volume (Extend)	Swept Volume (Retract)
Base	222	206	1993	-	-	-
1	198	184	1954	1705	56.8	4.3
2	176	163	1954	1715	45.6	3.9
3	155	144	2004	1725	36.0	3.4
4	136	125	2004	1785	29.1	3.1
5	116	106	2004	1800	22.1	3.1
6	98	87	2154	1305	11.5	1.7
Total (+5/-10)				10035	mm	
Final stroke reduced by				500	mm	
Swept Vol (Extend)				201.1	Litres	
Swept Vol (Retract)				19.5	Litres	
Maximum Pressure				190	Bar	
Operating Pressure				190	Bar	
Cylinder Mass				431	Kg	
Stage	Thrust @ Max.Press		Thrust @ Op.Press			
	Extend	Retract	Extend	Retract		
1	64.6	4.9	64.6	4.9		
2	51.5	4.4	51.5	4.4		
3	40.4	3.9	40.4	3.9		
4	31.5	3.4	31.5	3.4		
5	23.8	3.3	23.8	3.3		
6	17.1	2.5	17.1	2.5		

NOTES

- This cylinder is intended for load ejection purposes only and should not be used for compacting.
- Cylinder is painted in primer to RAL5013.
- Refer to www.edbro.com for:-
 - Bracket details
 - Installation instructions that must be observed
 - Correct oil selection
 - An explanation of ejection capacity

INNER TUBES HARD CHROMED

