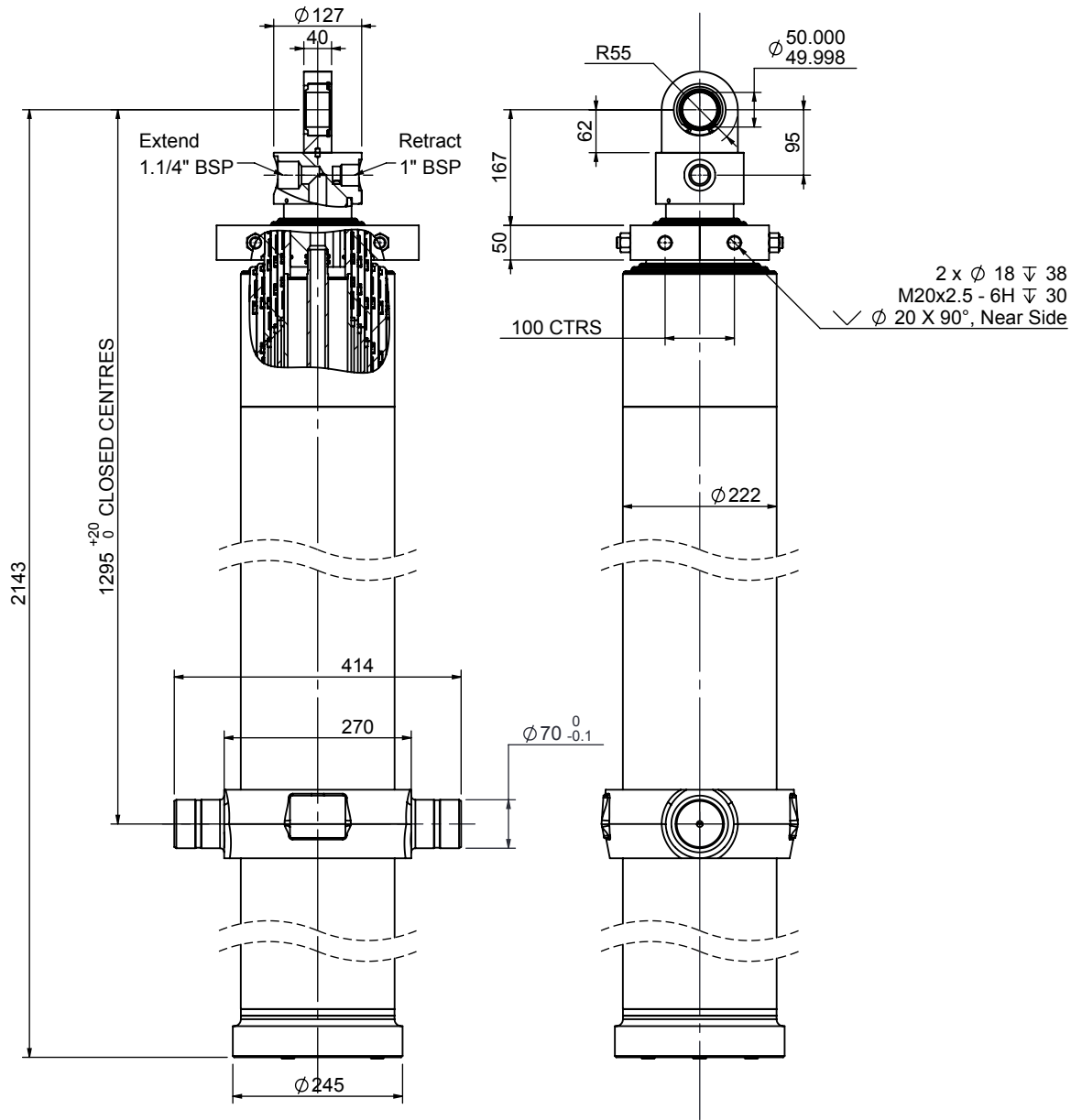


# Cylinder 6 stage front end with spherical eye

CD19TS6310037BA11295



## SPECIFICATION

Stage	Tube Diameter	Tube Bore	Length	Stroke	Swept Volume (Extend)	Swept Volume (Retract)
Base	222	206	1910	-	-	-
1	198	184	1871	1622	54.1	4.1
2	176	163	1871	1632	43.4	3.7
3	155	144	1921	1642	34.3	3.3
4	136	125	1921	1702	27.7	3.0
5	116	106	1921	1717	21.1	2.9
6	98	87	1946	1722	15.2	2.2
Total (+5/-10)				10037	mm	
Final stroke reduced by				0	mm	
Swept Vol (Extend)				195.8	Litres	
Swept Vol (Retract)				19.2	Litres	
Maximum Pressure				190	Bar	
Operating Pressure				105	Bar	
Cylinder Mass				385	Kg	
Stage	Thrust @ Max Press.		Thrust @ Op Press			
	Extend	Retract	Extend	Retract		
1	64.6	4.9	35.7	2.7		
2	51.5	4.4	28.5	2.4		
3	40.4	3.9	22.3	2.1		
4	31.5	3.4	17.4	1.9		
5	23.8	3.3	13.1	1.8		
6	17.1	2.5	9.4	1.4		

INNER TUBES HARD CHROMED