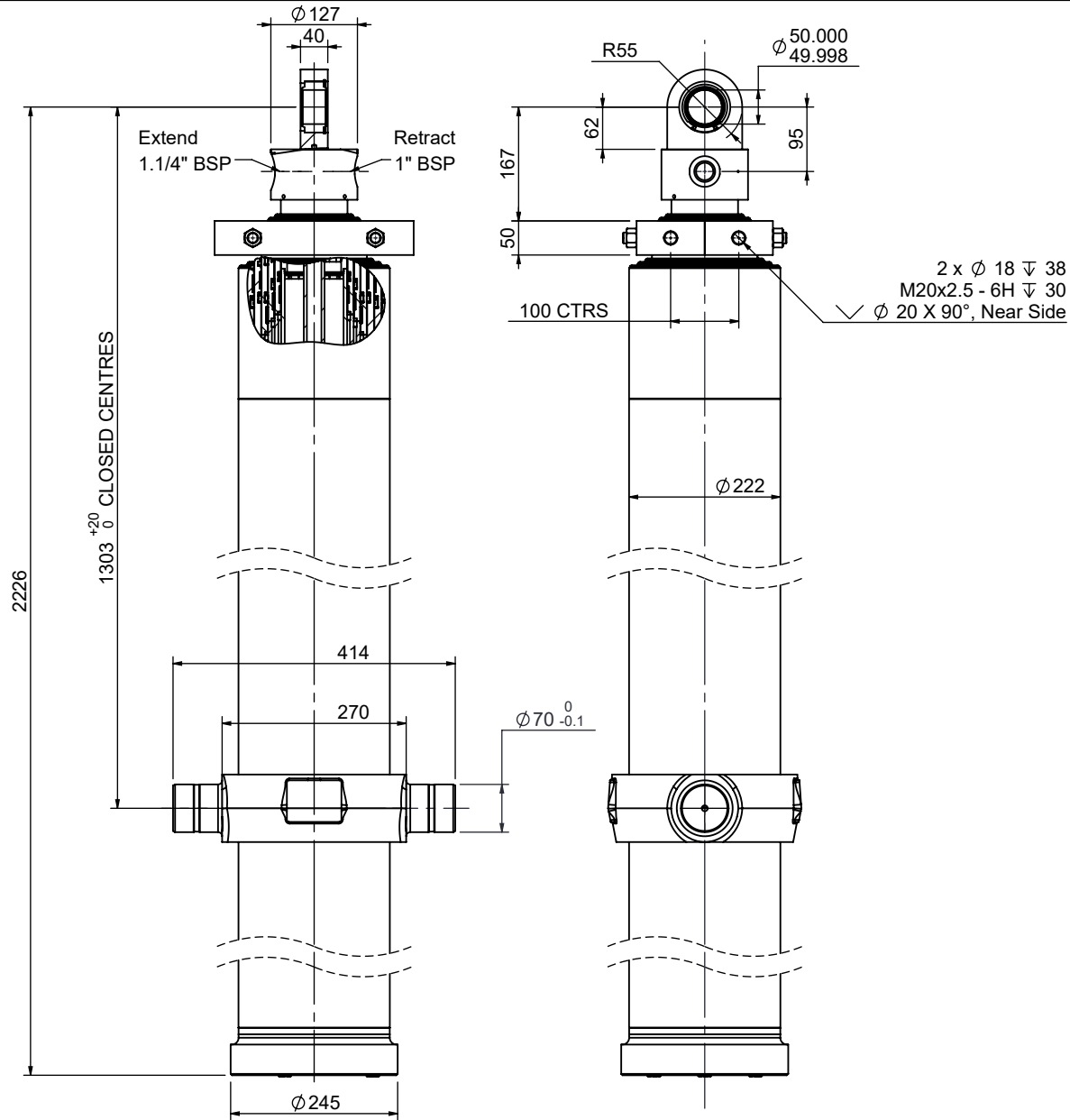


Cylinder 6 stage front end with spherical eye

CD19TS6310536BA11295



INNER TUBES HARD CHROMED

SPECIFICATION

| Stage | Tube Diameter | Tube Bore | Length | Stroke | Swept Volume (Extend) | Swept Volume (Retract) |
|-------------------------|--------------------|-----------|-------------------|---------|-----------------------|------------------------|
| Base | 222 | 206 | 1994 | - | - | - |
| 1 | 198 | 184 | 1954 | 1706 | 56.9 | 4.3 |
| 2 | 176 | 163 | 1954 | 1715 | 45.6 | 3.9 |
| 3 | 155 | 144 | 2004 | 1725 | 36.0 | 3.4 |
| 4 | 136 | 125 | 2004 | 1785 | 29.1 | 3.1 |
| 5 | 116 | 106 | 2004 | 1800 | 22.1 | 3.1 |
| 6 | 98 | 87 | 2029 | 1805 | 15.9 | 2.3 |
| Total (+5/-10) | | | | 10536 | mm | |
| Final stroke reduced by | | | | 0 | mm | |
| Swept Vol (Extend) | | | | 205.6 | Litres | |
| Swept Vol (Retract) | | | | 20.1 | Litres | |
| Maximum Pressure | | | | 190 | Bar | |
| Operating Pressure | | | | 190 | Bar | |
| Cylinder Mass | | | | 403 | Kg | |
| Stage | Thrust @ Max.Press | | Thrust @ Op.Press | | | |
| | Extend | Retract | Extend | Retract | | |
| 1 | 64.6 | 4.9 | 64.6 | 4.9 | | |
| 2 | 51.5 | 4.4 | 51.5 | 4.4 | | |
| 3 | 40.4 | 3.9 | 40.4 | 3.9 | | |
| 4 | 31.5 | 3.4 | 31.5 | 3.4 | | |
| 5 | 23.8 | 3.3 | 23.8 | 3.3 | | |
| 6 | 17.1 | 2.5 | 17.1 | 2.5 | | |

NOTES

- This cylinder is intended for load ejection purposes only and should not be used for compacting.
- Cylinder is painted in primer to RAL5013.
- Refer to www.edbro.com for:-
 - Bracket details
 - Installation instructions that must be observed
 - Correct oil selection
 - An explanation of ejection capacity

