

Cylinder 7 stage front end with spherical eye

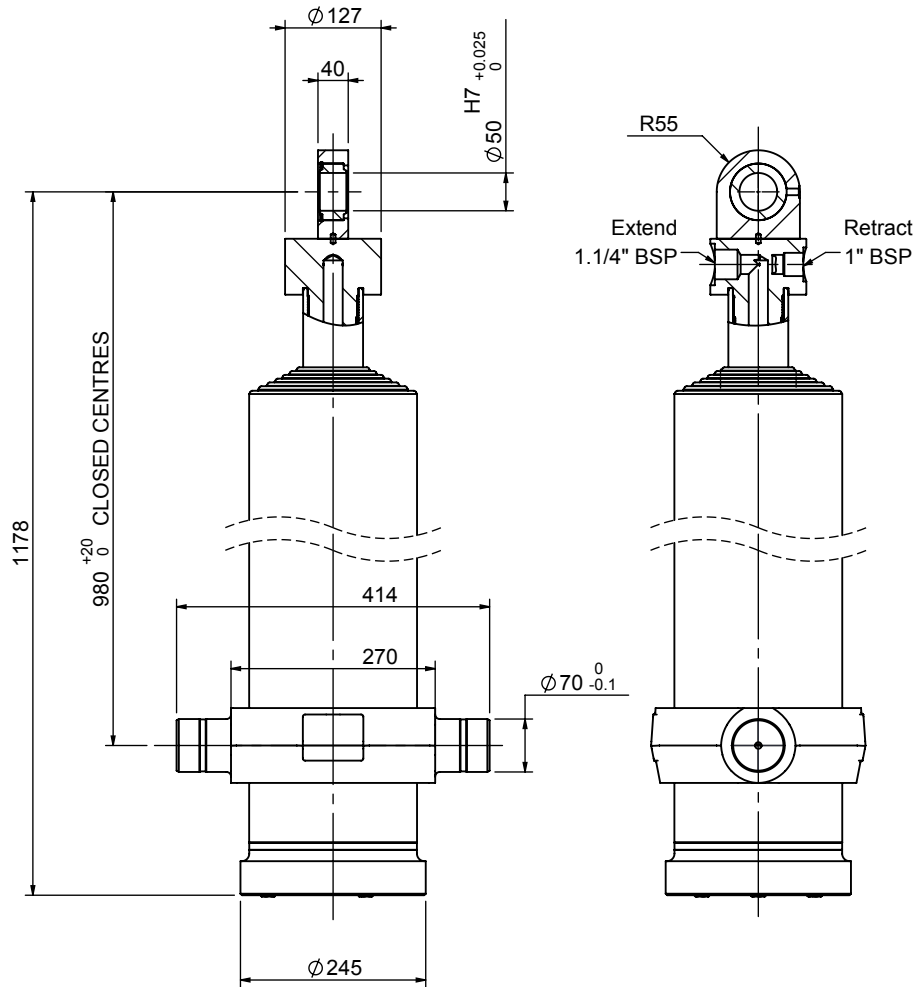
CD19TS7004599NA40980

SPECIFICATION

Stage	Tube Diameter	Tube Bore	Length	Stroke	Swept Volume (Extend)	Swept Volume (Retract)
Base	222	207	915	-	-	-
1	198	184	876	627	21.1	1.8
2	176	163	876	637	16.9	1.4
3	155	144	876	647	13.5	1.3
4	136	125	876	657	10.7	1.2
5	117	106	876	672	8.2	1.0
6	98	87	876	677	6.0	0.9
7	79	71	976	682	4.1	0.7
Total (+5/-10)				4599	mm	
Final stroke reduced by				0	mm	
Swept Vol (Extend)				80.5	Litres	
Swept Vol (Retract)				8.3	Litres	
Maximum Pressure				190	Bar	
Operating Pressure				150	Bar	
Cylinder Mass				209	Kg	
Stage	Thrust @ Max.Press		Thrust @ Op. Press			
	Extend	Retract	Extend	Retract		
1	65.2	5.5	51.5	4.4		
2	51.5	4.4	40.7	3.5		
3	40.4	3.9	31.9	3.9		
4	31.5	3.4	24.9	2.7		
5	23.8	2.9	18.8	2.3		
6	17.1	2.5	13.5	2.0		
7	11.5	2.0	9.1	1.6		

NOTES

- This cylinder is intended for load ejection purposes only and should not be used for compacting.
- Cylinder is painted in primer to RAL5013.
- Refer to www.edbro.com for:-
 - Bracket details
 - Installation instructions that must be observed
 - Correct oil selection
 - An explanation of ejection capacity



INNER TUBES HARD CHROMED



JOST UK Ltd
 Edbro House, Nelson Street, Bolton, England, BL3 2JJ
 Tel +44 (0) 1204 528888 Fax +44 (0) 1204 531957
 Email: sales@jost-world.com Web: www.edbro.com

Technical Specifications are subject to change without notice
 Date Created/Updated: 09 February 2021
 Refer www.edbro.com to confirm latest specification
 All dimensions are in 'mm', unless otherwise stated

