

# Cylinder 7 stage front end with spherical eye

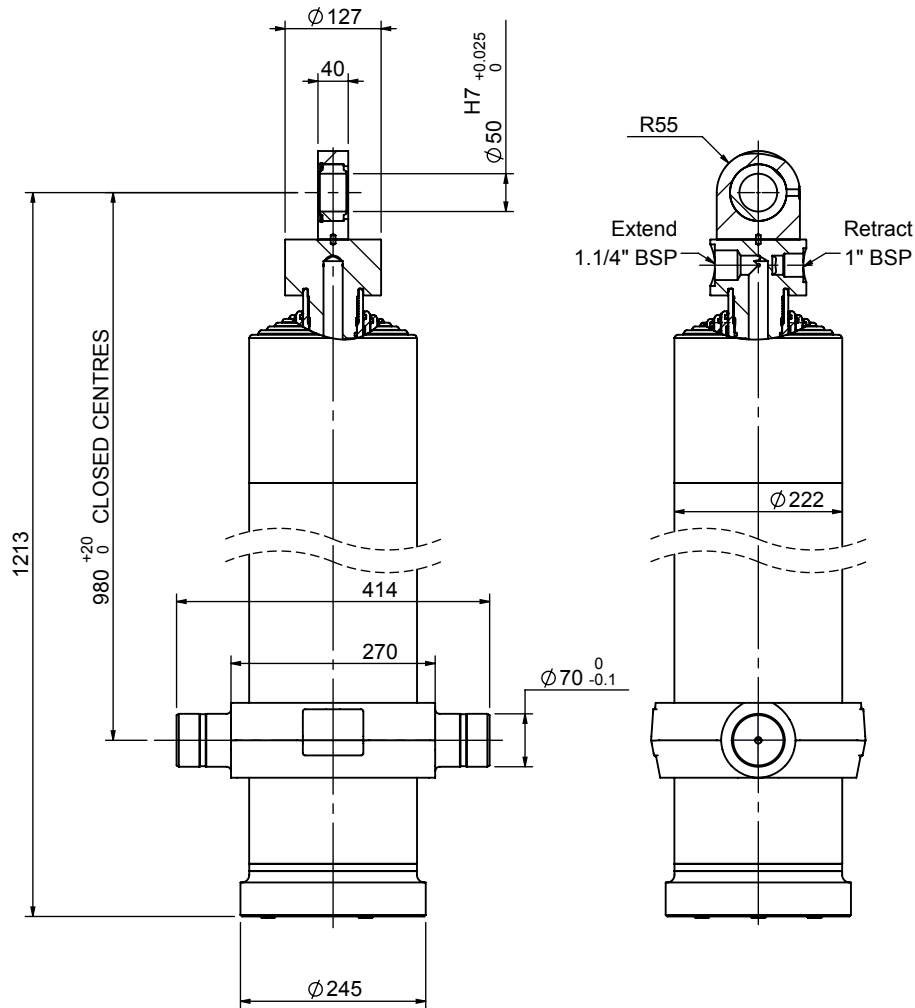
CD19TS7005369NA10980

## SPECIFICATION

Stage	Tube Diameter	Tube Bore	Length	Stroke	Swept Volume (Extend)	Swept Volume (Retract)
Base	222	207	1025	-	-	-
1	198	184	986	737	24.8	2.1
2	176	163	986	747	19.9	1.7
3	155	144	986	757	15.8	1.5
4	136	125	986	767	12.5	1.3
5	117	106	986	782	9.6	1.2
6	98	87	986	787	6.9	1.0
7	79	71	1011	792	4.7	0.8
Total (+5/-10)				5369	mm	
Final stroke reduced by				0	mm	
Swept Vol (Extend)				94.2	Litres	
Swept Vol (Retract)				9.6	Litres	
Maximum Pressure				190	Bar	
Operating Pressure				150	Bar	
Cylinder Mass				227	Kg	
Stage	Thrust @ Max.Press		Thrust @ Op. Press			
	Extend	Retract	Extend	Retract		
1	65.2	5.5	51.5	4.4		
2	51.5	4.4	40.7	3.5		
3	40.4	3.9	31.9	3.9		
4	31.5	3.4	24.9	2.7		
5	23.8	2.9	18.8	2.3		
6	17.1	2.5	13.5	2.0		
7	11.5	2.0	9.1	1.6		

## NOTES

- This cylinder is intended for load ejection purposes only and should not be used for compacting.
- Cylinder is painted in primer to RAL5013.
- Refer to [www.edbro.com](http://www.edbro.com) for:-
  - Bracket details
  - Installation instructions that must be observed
  - Correct oil selection
  - An explanation of ejection capacity



INNER TUBES HARD CHROMED

**Edbro**

JOST UK Ltd  
 Edbro House, Nelson Street, Bolton, England, BL3 2JJ  
 Tel +44 (0) 1204 528888 Fax +44 (0) 1204 531957  
 Email: sales@jost-world.com Web: www.edbro.com

Technical Specifications are subject to change without notice  
 Date Created/Updated: 09 February 2021  
 Refer [www.edbro.com](http://www.edbro.com) to confirm latest specification  
 All dimensions are in 'mm', unless otherwise stated