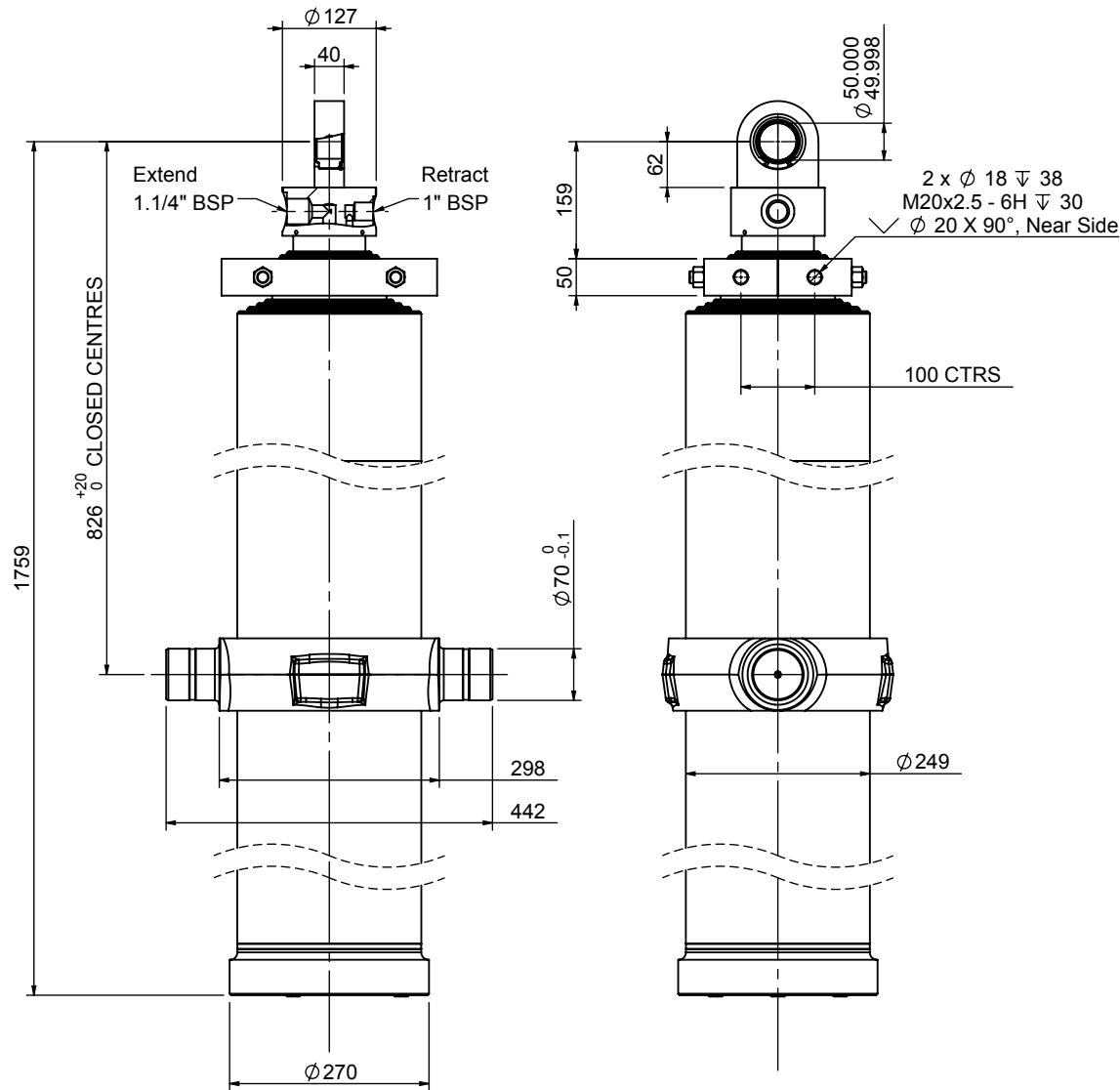


# Cylinder 7 stage front end with spherical eye

CD22TS708986BA10826



## SPECIFICATION

Stage	Tube Diameter	Tube Bore	Length	Stroke	Swept Volume (Extend)	Swept Volume (Retract)
Base	249	230	1529	-	-	-
1	222	206	1490	1234	51.3	3.5
2	198	184	1490	1242	41.4	3.2
3	176	163	1490	1251	33.3	2.8
4	155	144	1540	1261	26.3	2.5
5	136	125	1540	1321	21.5	2.3
6	116	106	1540	1336	16.4	2.3
7	98	87	1565	1341	11.8	1.7
Total (+5/-10)				8986	mm	
Swept Vol (Extend)				202	Litres	
Swept Vol (Retract)				18.3	Litres	
Maximum Pressure				190	Bar	
Operating Pressure				135	Bar	
Cylinder Mass				431	Kg	
Stage	Thrust (t)					
	Extend	Retract				
1	57.2	3.9				
2	45.9	3.5				
3	36.6	3.1				
4	28.7	2.7				
5	22.4	2.4				
6	16.9	2.3				
7	12.1	1.8				

INNER TUBES HARD CHROMED



**Edbro plc**  
 Nelson Street, Bolton, England, BL3 2JJ  
 Tel +44 (0) 1204 528888 Fax +44 (0) 1204 531957  
 Email: postmaster@edbro.com Web: www.edbro.com

Technical Specifications are subject to change without notice  
 Date Created/Updated: 31 May 2018  
 Refer [www.edbro.com](http://www.edbro.com) to confirm latest specification  
 All dimensions are in 'mm', unless otherwise stated

