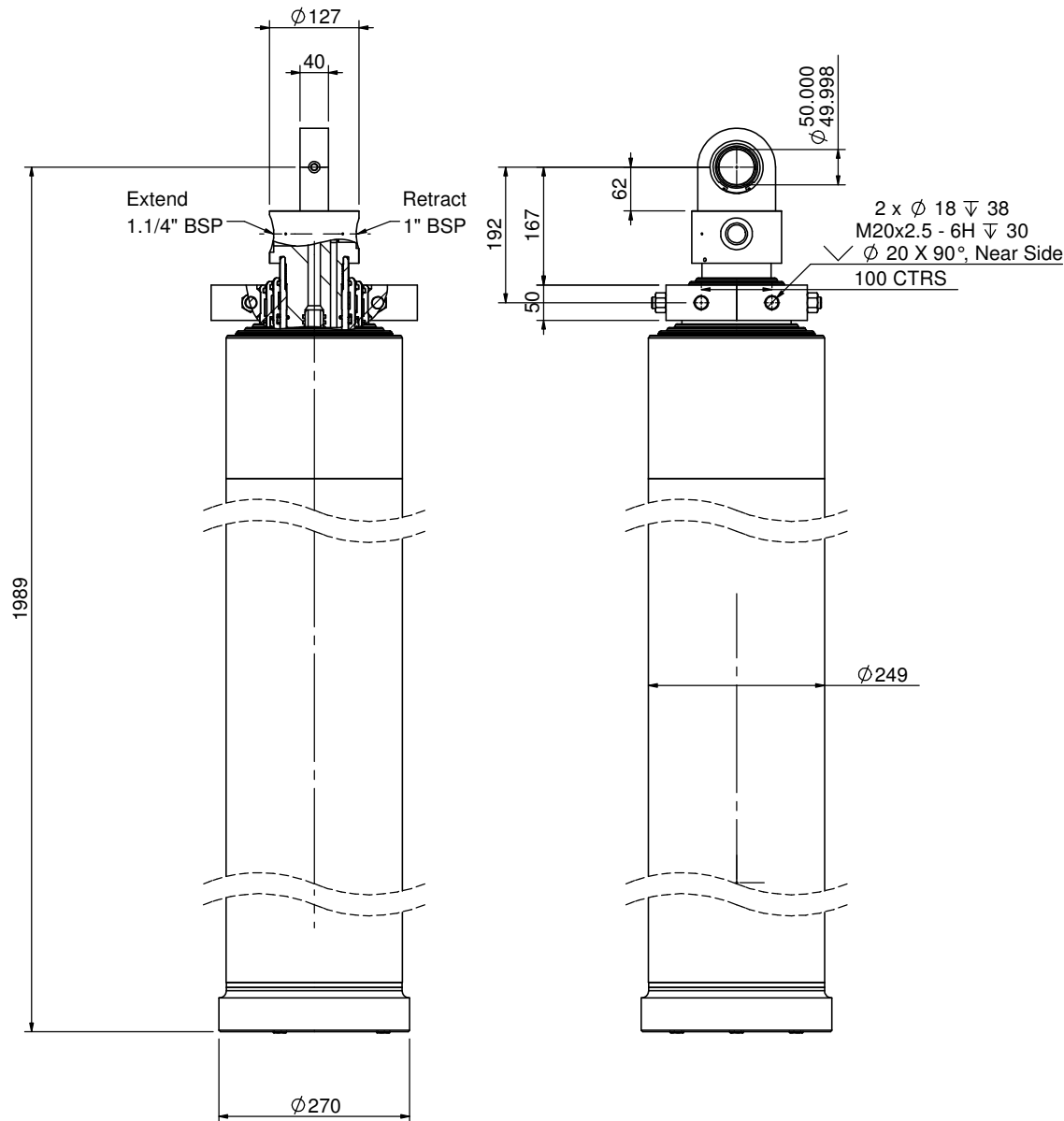


# Cylinder 7 stage front end with spherical eye

## CD22TS7410541BA11295



### SPECIFICATION

Stage	Tube Diameter	Tube Bore	Length	Stroke	Swept Volume (Extend)	Swept Volume (Retract)
Base	250	230	1751	-	-	-
1	222	206	1712	1458	60.6	4.1
2	198	184	1712	1463	48.8	3.7
3	176	163	1712	1473	39.2	3.3
4	155	144	1762	1483	30.9	3.0
5	136	125	1762	1543	25.1	2.7
6	117	106	1762	1558	19.1	2.4
7	98	87	1787	1563	13.8	2.0
Total (+5/-10)				10541	mm	
Swept Vol (Extend)				237.5	Litres	
Swept Vol (Retract)				21.2	Litres	
Maximum Pressure				190	Bar	
Operating Pressure				150	Bar	
Cylinder Mass				431	Kg	
Stage	Thrust @ Max.Press		Thrust @ Op.Press			
	Extend	Retract	Extend	Retract		
1	80.5	5.5	63.5	4.3		
2	64.6	4.9	51.0	3.9		
3	51.5	4.4	40.7	3.5		
4	40.4	3.9	31.9	3.1		
5	31.5	3.4	24.9	2.7		
6	23.8	2.9	18.8	2.3		
7	17.1	2.5	13.5	2.0		

### NOTES

- This cylinder is intended for load ejection purposes only and should not be used for compacting.
- Cylinder is painted in primer to RAL5013.
- Refer to [www.edbro.com](http://www.edbro.com) for:-
  - Bracket details
  - Installation instructions that must be observed
  - Correct oil selection
  - An explanation of ejection capacity

INNER TUBES HARD CHROMED

