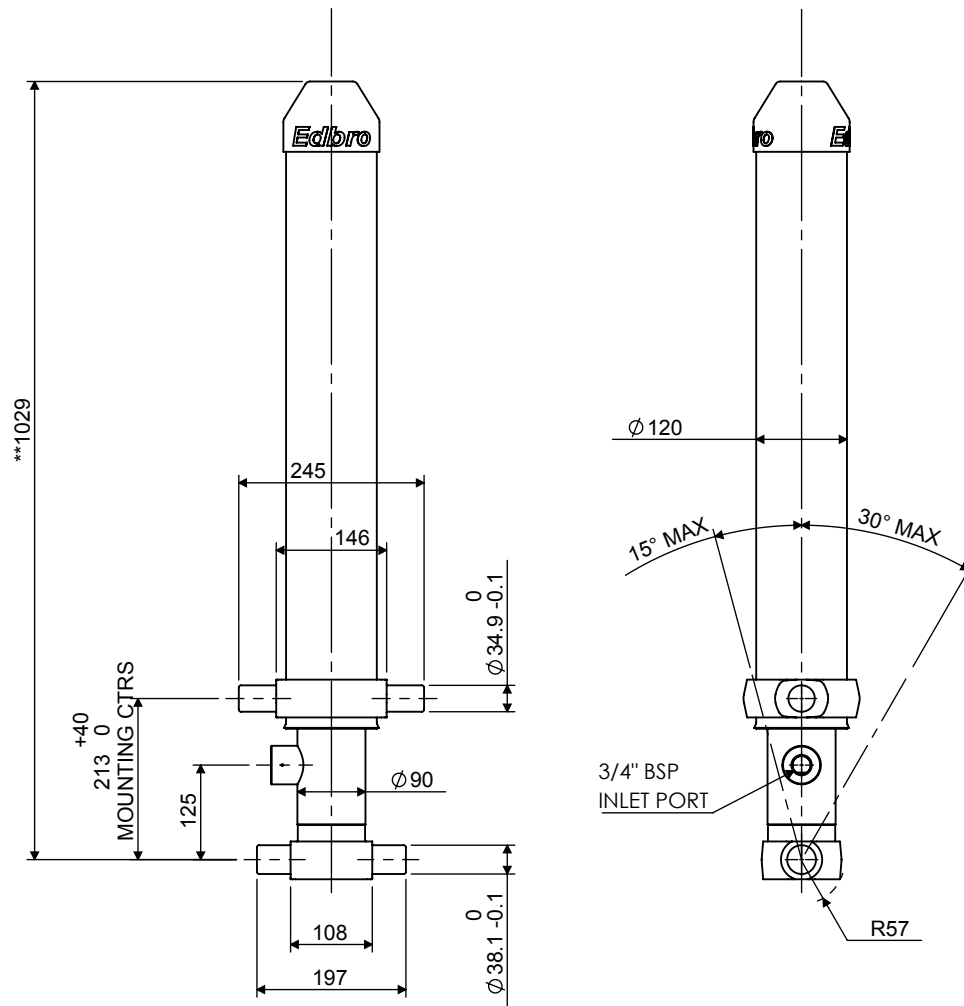


Cylinder 3 stage front end with outer cover

****ALLOW 50mm TO REMOVE CAP FOR SERVICING**

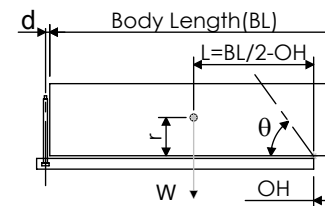


***Includes 10mm Pull Out.**

CS070032130N12A28E-503

SPECIFICATION		TIPPING CAPACITY : 7-10 TONNES***		
Stage	Diameter	Length	Stroke	Swept Volume
-	-	-	-	-
-	-	-	-	-
OUTER COVER	120	784	-	-
0	90	917	-	-
1	75	890	705	3
2	60	890	713	2
3	45	890	713	1
Total (+5/-10)			2131	6
Final stroke reduced by	0	Priming Volume		1
Cylinder Mass (Kg)	49	Total Volume (Litres)		7
Maximum Pressure (Bar)	175	Max. first stage thrust		40 KN

***TIPPING CAPACITY AT WORKING PRESSURE



BODY LENGTH (BL)				OH
3000	3100	3200		
8	42°	7	41°	150
10	47°	10	45°	450
		9	44°	750

d = 111; r = 500; Working Pressure 150 bar

Tipping angle (θ)

Body + payload mass, W (tonne)

For guidance only;

Higher working pressures and tipping capacities may be possible.

To check your application email - applications@edbro.co.uk

NOTES

1. This cylinder is for lifting purposes only and side load conditions should be avoided
2. Cylinder is painted in Jet Black Gloss to RAL9005
3. Refer to www.edbro.com for:-
 - Bracket details
 - Installation instructions that must be observed
 - Correct oil selection
 - An explanation of tipping capacity



JOST UK Ltd
 Edbro House, Nelson Street, Bolton, England, BL3 2JJ
 Tel +44 (0) 1204 528888 Fax +44 (0) 1204 531957
 Email: sales@jost-world.com Web: www.edbro.com

Technical Specifications are subject to change without notice
 Date Created/Updated: 12 February 2021
 Refer www.edbro.com to confirm latest specification
 All dimensions are in 'mm', unless otherwise stated