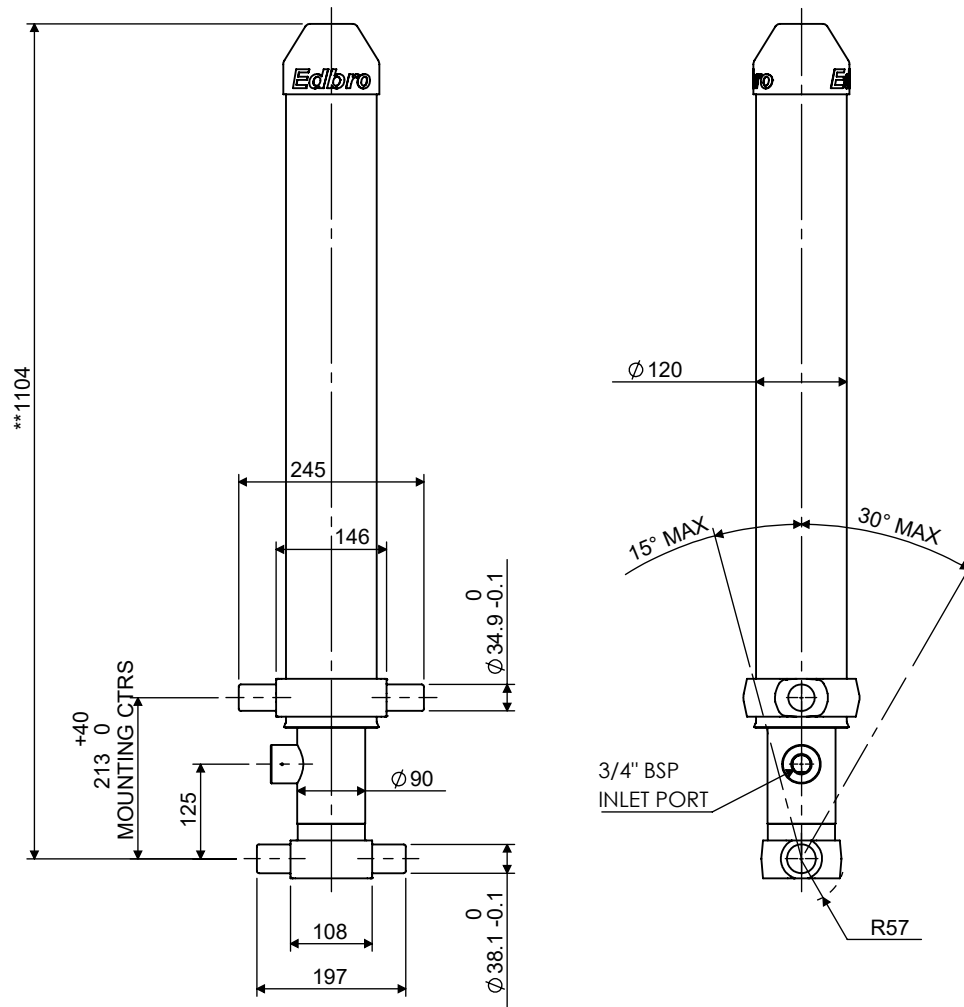


# Cylinder 3 stage front end with outer cover

**\*\*ALLOW 50mm TO REMOVE CAP FOR SERVICING**

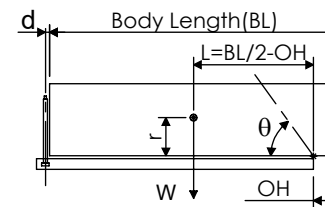


**\*Includes 10mm Pull Out.**

# CS070032355N12A28E-503

SPECIFICATION		TIPPING CAPACITY : 7-11 TONNES***		
Stage	Diameter	Length	Stroke	Swept Volume
-	-	-	-	-
-	-	-	-	-
OUTER COVER	120	859	-	-
0	90	992	-	-
1	75	965	780	3
2	60	965	788	2
3	45	965	788	1
Total (+5/-10)			2356	6
Final stroke reduced by	0	Priming Volume		1
Cylinder Mass (Kg)	53	Total Volume (Litres)		7
Maximum Pressure (Bar)	175	Max. first stage thrust		40 KN

### \*\*\*TIPPING CAPACITY AT WORKING PRESSURE



BODY LENGTH (BL)					OH	
3250		3450		3650		
7	43°	7	40°		150	
10	48°	9	44°	8	42°	450
				11	46°	750

d = 111; r = 500; Working Pressure 150 bar

Tipping angle (θ)

Body + payload mass, W (tonne)

### For guidance only;

Higher working pressures and tipping capacities may be possible.

To check your application email - [applications@edbro.co.uk](mailto:applications@edbro.co.uk)

### NOTES

1. This cylinder is for lifting purposes only and side load conditions should be avoided
2. Cylinder is painted in Jet Black Gloss to RAL9005
3. Refer to [www.edbro.com](http://www.edbro.com) for:-
  - Bracket details
  - Installation instructions that must be observed
  - Correct oil selection
  - An explanation of tipping capacity



**JOST UK Ltd**  
 Edbro House, Nelson Street, Bolton, England, BL3 2JJ  
 Tel +44 (0) 1204 528888 Fax +44 (0) 1204 531957  
 Email: [sales@jost-world.com](mailto:sales@jost-world.com) Web: [www.edbro.com](http://www.edbro.com)

Technical Specifications are subject to change without notice  
 Date Created/Updated: 10 February 2021  
 Refer [www.edbro.com](http://www.edbro.com) to confirm latest specification  
 All dimensions are in 'mm', unless otherwise stated