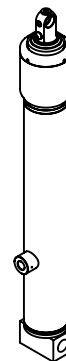
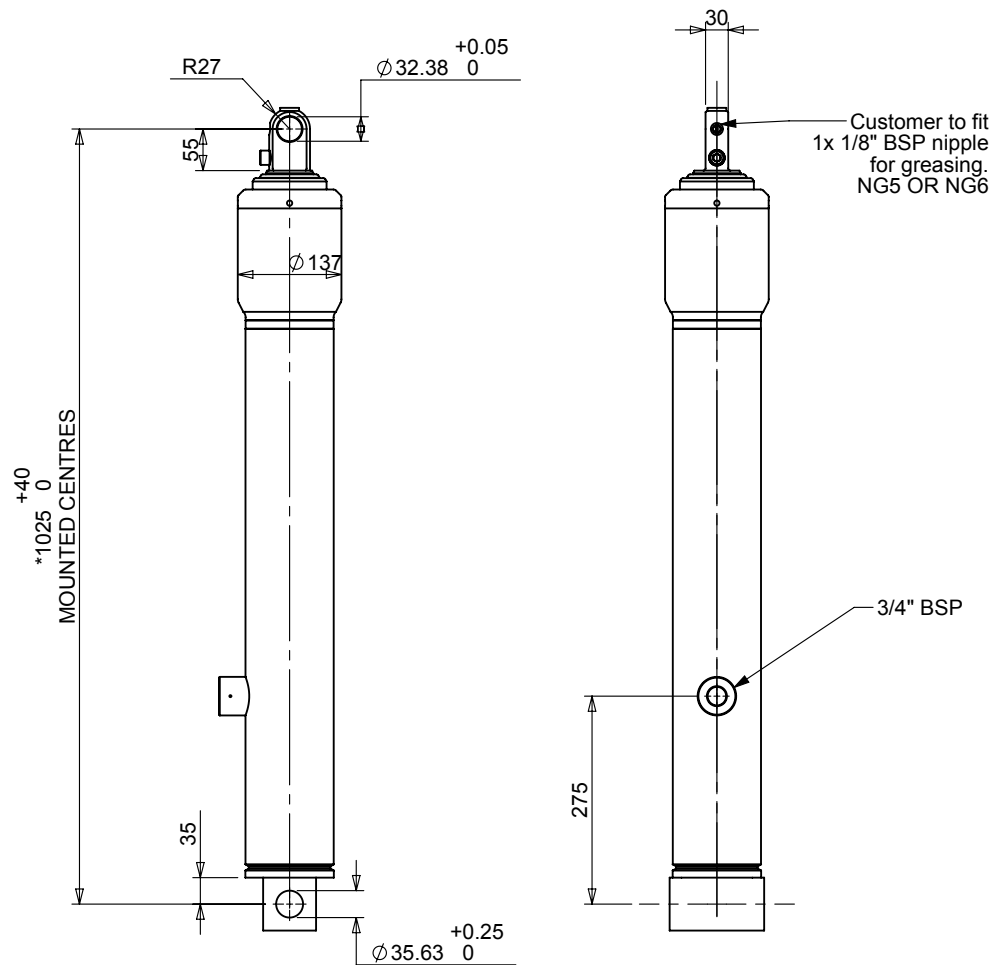


Cylinder 3 stage front end with plain eye

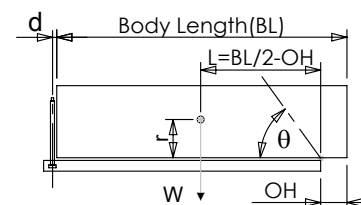
CS10EE302159A200



SPECIFICATION

SPECIFICATION		TIPPING CAPACITY : SEE BELOW***		
Stage	Diameter	Length	Stroke	Swept Volume
-	-	-	-	-
-	-	-	-	-
-	-	-	-	-
0	117	870	-	-
1	98	890	710	5
2	79	890	722	4
3	63	890	727	2
Total (+5/-10)			2159	11
Final stroke reduced by	0	Priming Volume		2.5
Cylinder Mass (kg)	47	Total Volume (Litres)		13.5
Maximum Pressure (Bar)	150	Max. first stage thrust		225 kN

***TIPPING CAPACITY AT WORKING PRESSURE



BODY LENGTH (BL)						OH
8500		9000		9500		
51	50°	48	47°	46	44°	150
55	52°	52	49°	49	46°	450
61	54°	56	51°	53	48°	750

d = 0; r = 900; Working Pressure 135 bar

For guidance only;

Higher working pressures and tipping capacities may be possible.
To check your application email - applications@edbro.co.uk

NOTES

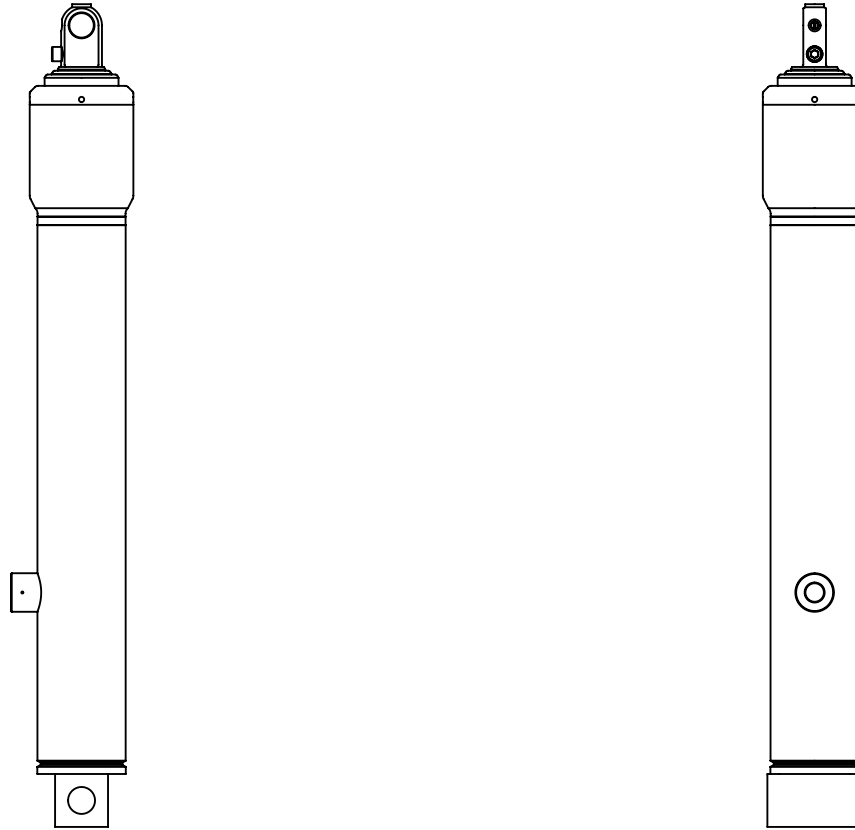
- This cylinder is for lifting purposes only and side load conditions should be avoided
- Cylinder is painted in primer paint to RAL5013
- Refer to www.edbro.com for;-
 - Bracket details
 - Installation instructions that must be observed
 - Correct oil selection
 - An explanation of tipping capacity

*Includes 10mm Pull Out. All Stages Chrome Plated



JOST UK Ltd
Edbro House, Nelson Street, Bolton, England, BL3 2JJ
Tel +44 (0) 1204 528888 Fax +44 (0) 1204 531957
Email: sales@edbro.com Web: www.edbro.com

Technical Specifications are subject to change without notice
Date Created/Updated: 25 April 2016
Refer www.edbro.com to confirm latest specification
All dimensions are in 'mm', unless otherwise stated



CS10EE302159A200