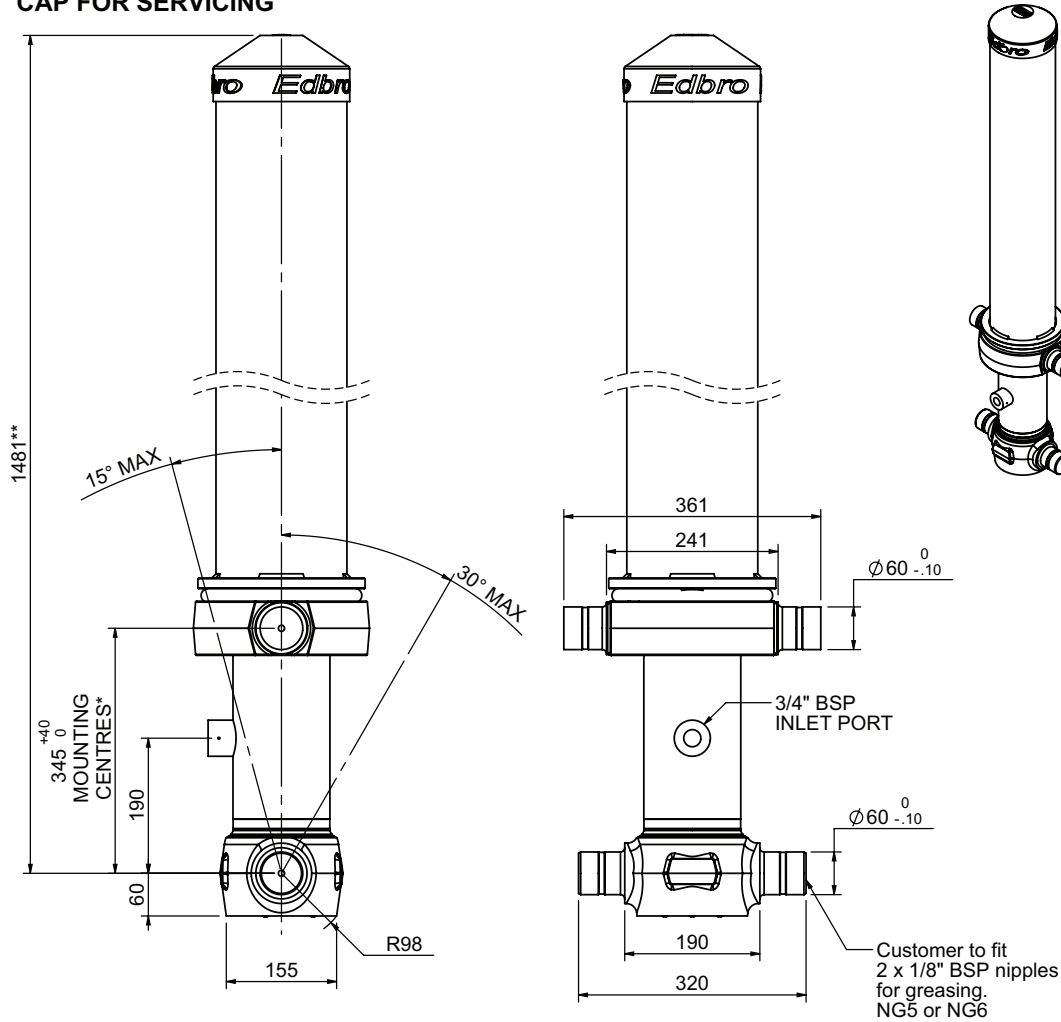


Cylinder 3 stage front end with Outer Cover

****ALLOW 50mm TO REMOVE CAP FOR SERVICING**



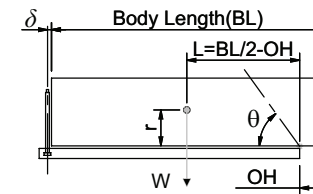
***Include 14mm Pull Out
All Stages Chrome Plated**

CS110033644B19A11C

SPECIFICATION		RATED CAPACITY : 20-32 TONNES***		
Stage	Diameter	Length	Stroke	Swept Volume
-	-	-	-	-
-	-	-	-	-
OUTER COVER	184	1085	-	-
0	136	1425	-	-
1	117	1390	1199	13
2	98	1390	1217	9
3	79	1390	1222	6
Final stroke reduced by	0	Total (+5/-10)	3638	28
Cylinder Mass (Kg)	119.40	Priming Volume	9.5	
Rated Pressure (Bar)	150	Total Volume (Litres)	37.5	
Maximum Pressure (Bar)	175	Max. first stage thrust	130 KN	

***TIPPING CAPACITY AT RATED PRESSURE

$d = 178 ; r = 750$



BODY LENGTH (BL)						OH
4500		4625		4750		
21	48°	21	46°	20	45°	150
26	51°	25	50°	24	48°	450
		32	54°	30	52°	750

Tipping angle (θ)
Body + payload mass, W (tonne)

For guidance only;

Higher Rated Pressures may be possible. To check your application, email Edbro plc at <applications@edbro.co.uk>

NOTES

- If hydraulic pressure is used to limit overloading, the system relief valve must be set to the Rated Pressure unless agreed otherwise by Edbro
- The system relief valve can be set to Maximum Pressure if the load is limited by other means. See RATINGS page for advice
- This cylinder is for lifting purposes only and sideload conditions must be avoided
- Cylinder is painted in primer paint to RAL5013
- See bracket options page BRKT01, BRKT02
- See installation instructions INSTALL01
- Use oil according to specification OIL01

Edbro
SETTING THE INDUSTRY STANDARD

Edbro plc
Nelson Street, Bolton, Lancashire BL3 2JJ UK
Tel +44 (0) 1204 528888 Fax +44 (0) 1204 531957
Email: postmaster@edbro.com Web: www.edbro.com

Technical Specifications are subject to change without notice
Date Created/Updated: 26 April 2011 12:13:48
Refer www.edbro.com to confirm latest specification
All dimensions are in 'mm', unless otherwise stated