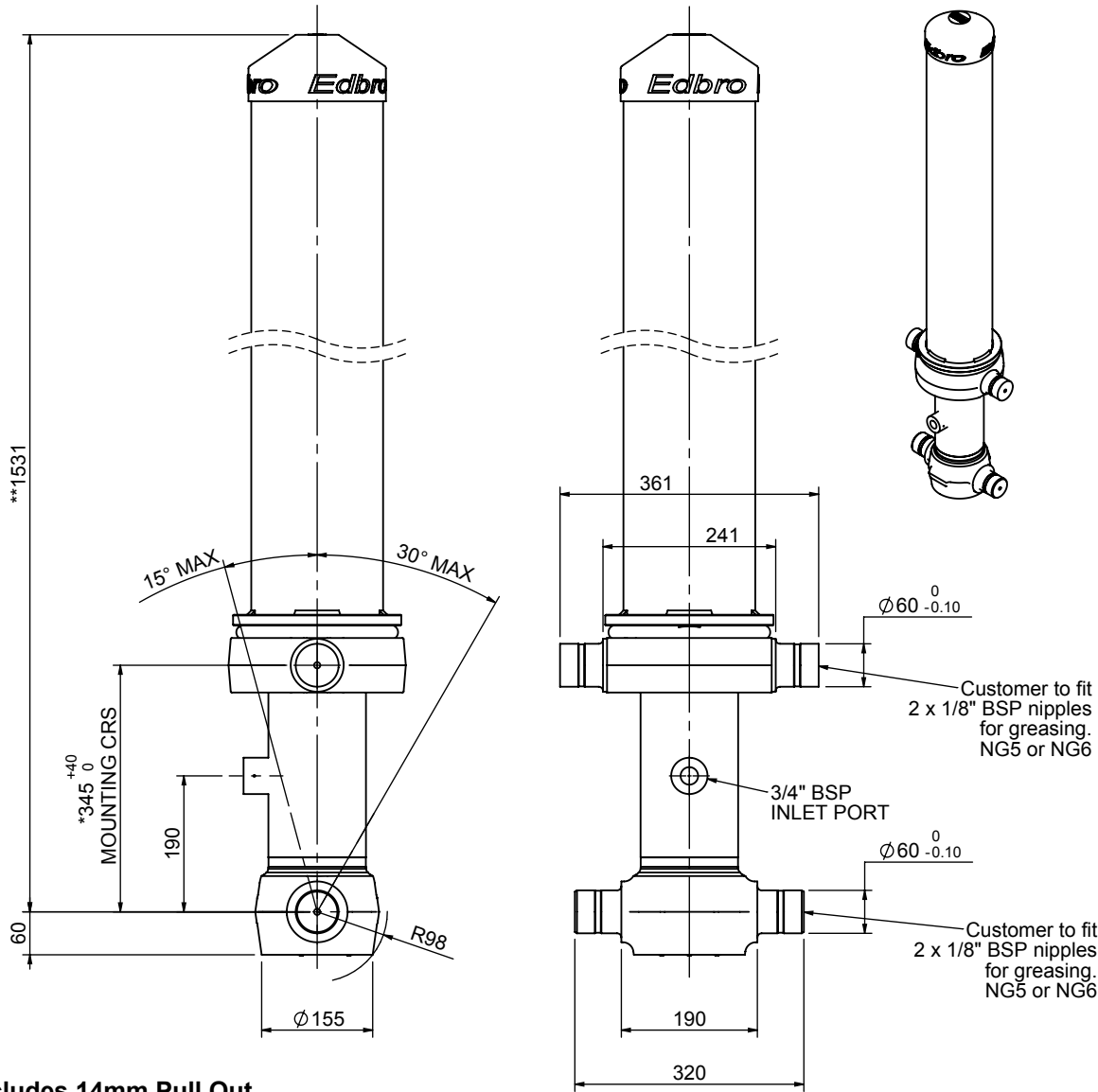


Cylinder 3 stage front end with outer cover

****ALLOW 50mm TO REMOVE CAP FOR SERVICING**

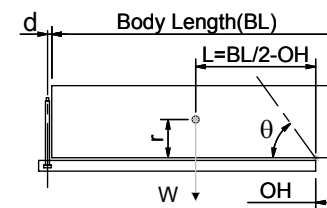


*Includes 14mm Pull Out.

CS110033794B19A11

SPECIFICATION		TIPPING CAPACITY : 21-32 TONNES***		
Stage	Diameter	Length	Stroke	Swept Volume
-	-	-	-	-
-	-	-	-	-
OUTER COVER	184	1135	-	-
0	136	1475	-	-
1	117	1440	1249	13
2	98	1440	1267	10
3	79	1440	1272	6
Total (+5/-10)			3788	29
Final stroke reduced by	0	Priming Volume		10
Cylinder Mass (Kg)	125	Total Volume (Litres)		39
Maximum Pressure (Bar)	190	Max. first stage thrust		130 KN

***TIPPING CAPACITY AT WORKING PRESSURE



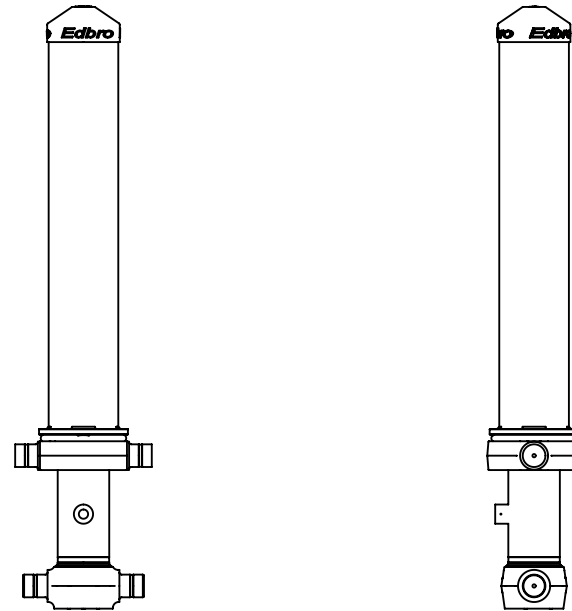
BODY LENGTH (BL)						OH
5000	5125	5250				
22	45°	22	43°	21	42°	150
26	48°	25	46°	24	45°	450
32	51°	30	50°	29	48°	750

d = 178; r = 750; Working Pressure 150 bar
 Tipping angle (θ)
 Body + payload mass, W (tonne)

For guidance only;
 Higher working pressures and tipping capacities may be possible.
 To check your application email - applications@edbro.co.uk

NOTES

1. This cylinder is for lifting purposes only and side load conditions should be avoided
2. Cylinder is painted in primer paint to RAL5013
3. Refer to www.edbro.com for:-
 - Bracket details
 - Installation instructions that must be observed
 - Correct oil selection
 - An explanation of tipping capacity



CS110033794B19A11