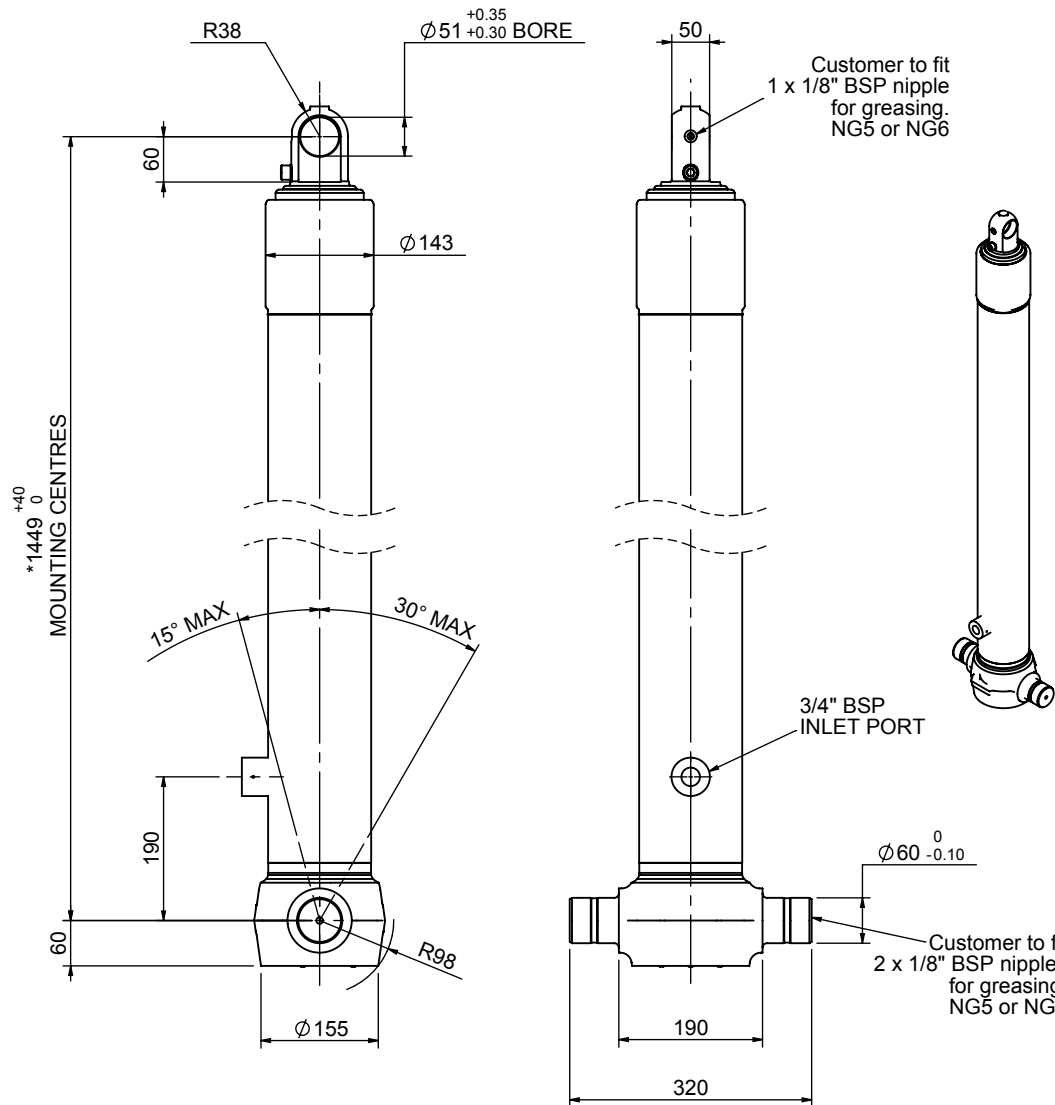


Cylinder 3 stage front end with plain eye

CS110E33644B19A01



SPECIFICATION		TIPPING CAPACITY : 19-29 TONNES***		
Stage	Diameter	Length	Stroke	Swept Volume
-	-	-	-	-
-	-	-	-	-
-	-	-	-	-
0	136	1425	-	-
1	117	1390	1204	13
2	98	1390	1217	9
3	79	1390	1222	6
Total (+5/-10)			3643	28
Final stroke reduced by	0	Priming Volume		10
Cylinder Mass (Kg)	84	Total Volume (Litres)		38
Maximum Pressure (Bar)	190	Max. first stage thrust		130 KN

***TIPPING CAPACITY AT WORKING PRESSURE

		BODY LENGTH (BL)			OH	
		4850	4975	5100		
19	47°	19	45°	19	44°	150
23	50°	22	49°	21	47°	450
29	55°	27	53°	26	51°	750

d = 0; r = 750; Working Pressure 135 bar

For guidance only;

Higher working pressures and tipping capacities may be possible.

To check your application email - applications@edbro.co.uk

NOTES

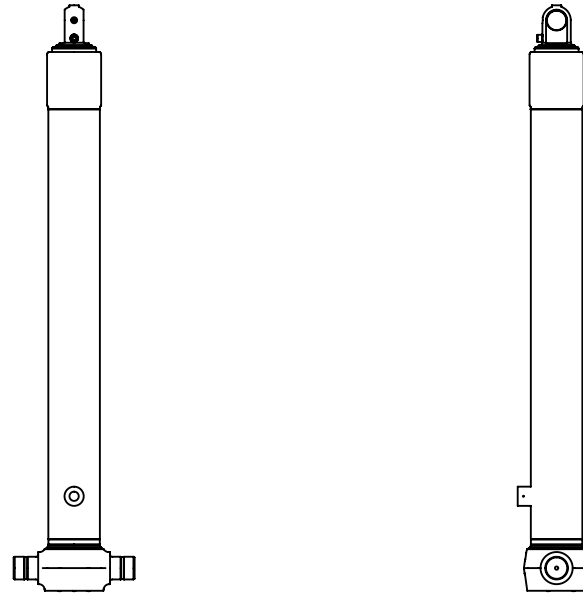
1. This cylinder is for lifting purposes only and side load conditions should be avoided
2. Cylinder is painted in primer paint to RAL5013
3. Refer to www.edbro.com for:-
 - Bracket details
 - Installation instructions that must be observed
 - Correct oil selection
 - An explanation of tipping capacity

*Includes 9mm Pull Out.
Last Stage Chrome Plated



Edbro plc
Nelson Street, Bolton, England, BL3 2JJ
Tel +44 (0) 1204 528888 Fax +44 (0) 1204 531957
Email: postmaster@edbro.com Web: www.edbro.com

Technical Specifications are subject to change without notice
Date Created/Updated: 18 July 2012
Refer www.edbro.com to confirm latest specification
All dimensions are in 'mm', unless otherwise stated



CS110E33644B19A01