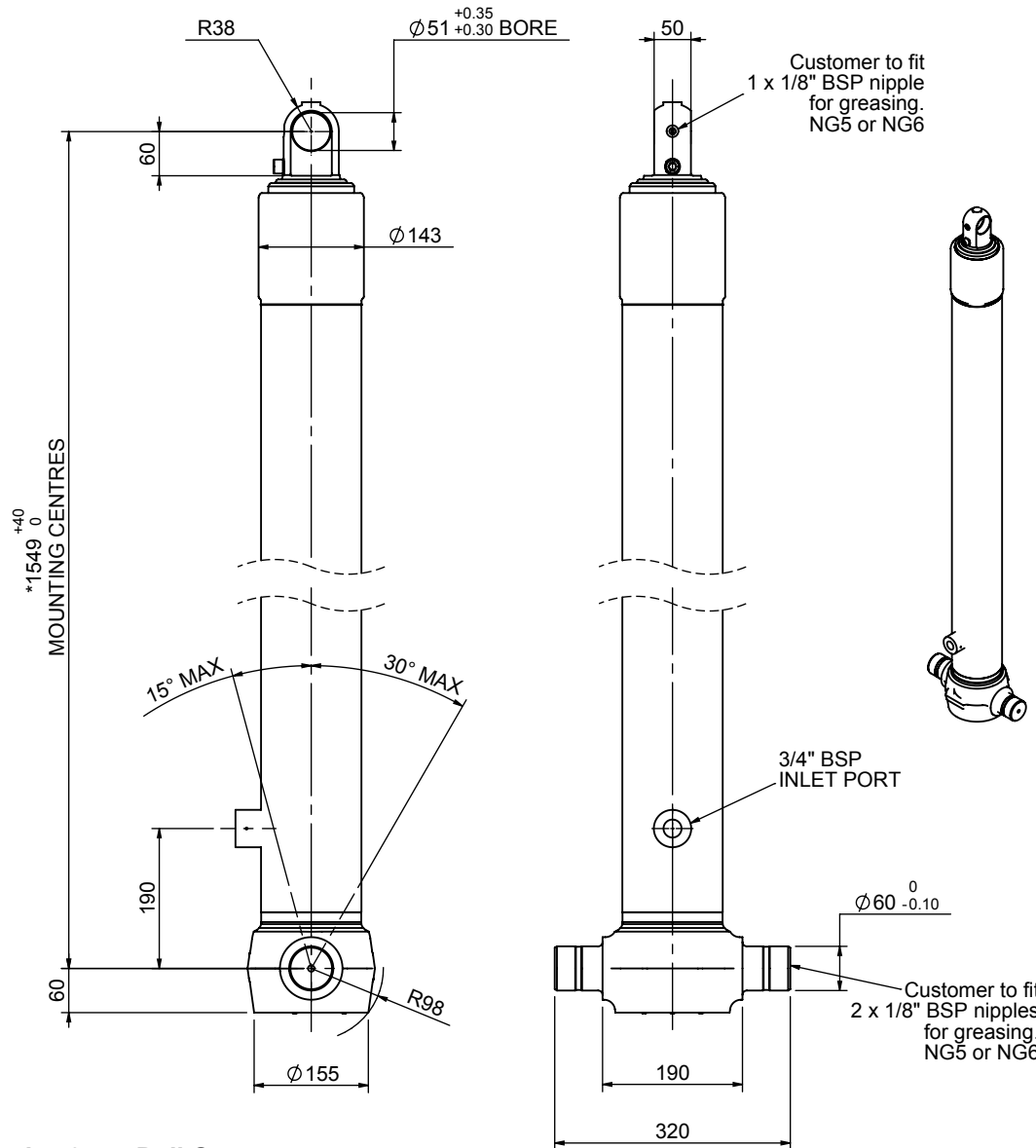


Cylinder 3 stage front end with plain eye

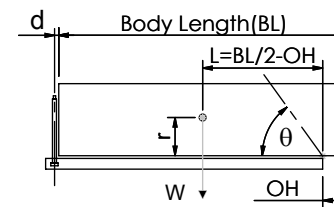
CS110E33944B19A01



SPECIFICATION TIPPING CAPACITY : 18-27 TONNES***

Stage	Diameter	Length	Stroke	Swept Volume
-	-	-	-	-
-	-	-	-	-
-	-	-	-	-
0	136	1525	-	-
1	117	1490	1304	14
2	98	1490	1317	10
3	79	1490	1322	6
Total (+5/-10)			3943	30
Final stroke reduced by	0	Priming Volume		11
Cylinder Mass (Kg)	89	Total Volume (Litres)		41
Maximum Pressure (Bar)	190	Max. first stage thrust		130 KN

***TIPPING CAPACITY AT WORKING PRESSURE



BODY LENGTH (BL)						OH
5150	5275	5400				
19	48°	19	46°	18	45°	150
22	51°	22	50°	21	48°	450
27	55°	26	53°	25	52°	750

d = 0; r = 750; Working Pressure 135 bar

For guidance only;

Higher working pressures and tipping capacities may be possible.

To check your application email - applications@edbro.co.uk

NOTES

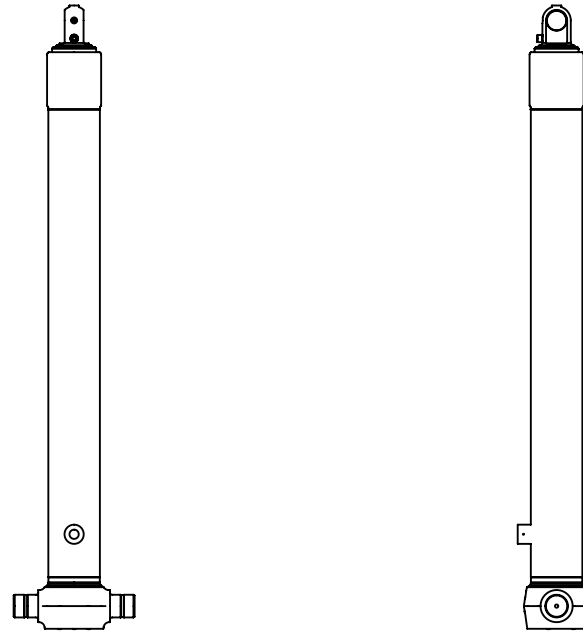
- This cylinder is for lifting purposes only and side load conditions should be avoided
- Cylinder is painted in primer paint to RAL5013
- Refer to www.edbro.com for:-
 - Bracket details
 - Installation instructions that must be observed
 - Correct oil selection
 - An explanation of tipping capacity

*Includes 9mm Pull Out.
Last Stage Chrome Plated

Edbro
SETTING THE INDUSTRY STANDARD

Edbro plc
Nelson Street, Bolton, England, BL3 2JJ
Tel +44 (0) 1204 528888 Fax +44 (0) 1204 531957
Email: postmaster@edbro.com Web: www.edbro.com

Technical Specifications are subject to change without notice
Date Created/Updated: 18 July 2012
Refer www.edbro.com to confirm latest specification
All dimensions are in 'mm', unless otherwise stated



CS110E33944B19A01