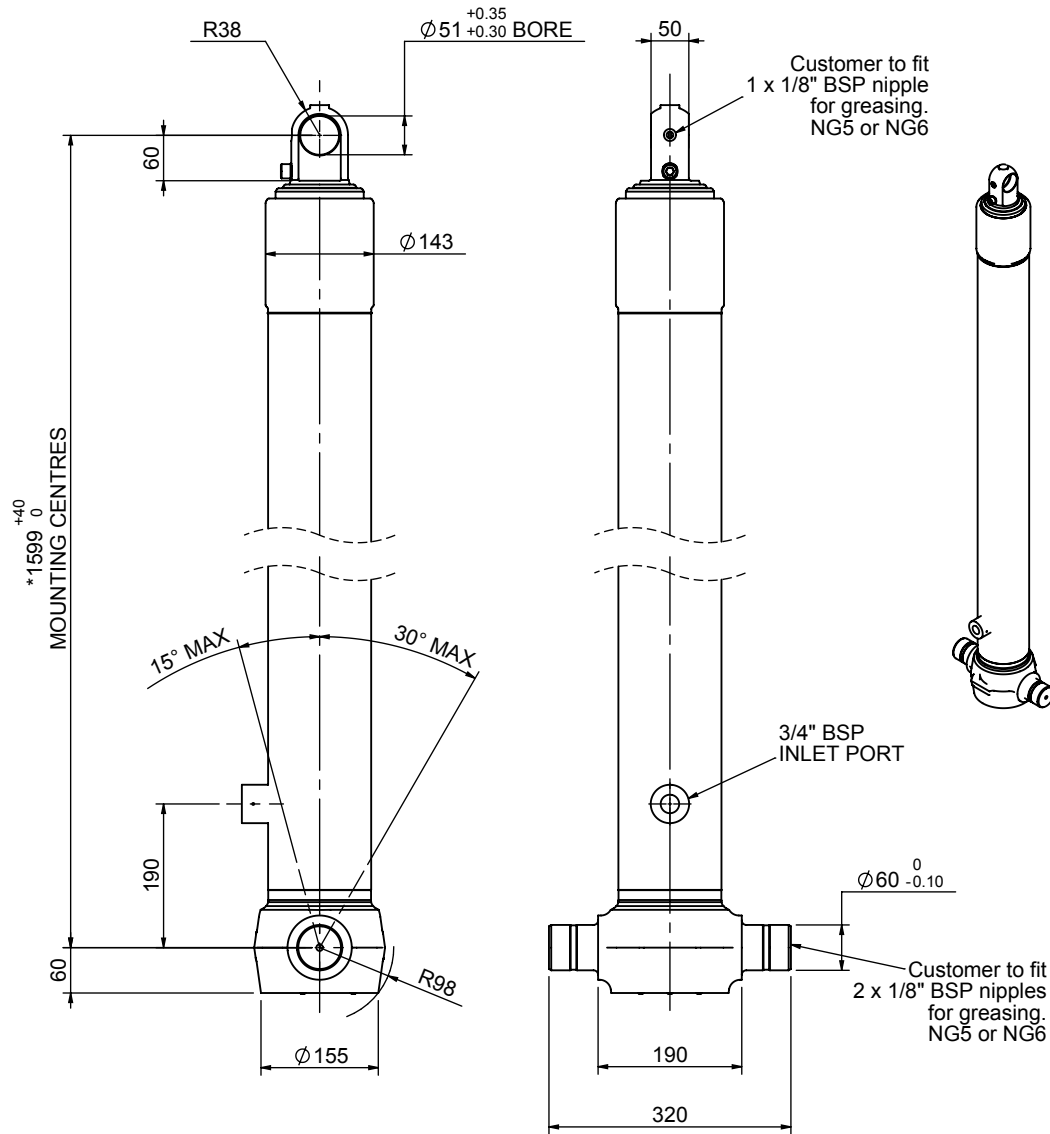


# Cylinder 3 stage front end with plain eye

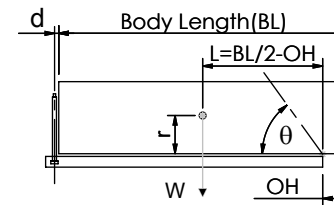


\*Includes 9mm Pull Out.  
Last Stage Chrome Plated

# CS110E34094B19A01

SPECIFICATION		TIPPING CAPACITY : 18-27 TONNES***		
Stage	Diameter	Length	Stroke	Swept Volume
-	-	-	-	-
-	-	-	-	-
-	-	-	-	-
0	136	1575	-	-
1	117	1540	1354	15
2	98	1540	1367	10
3	79	1540	1372	7
Total (+5/-10)			4093	32
Final stroke reduced by	0	Priming Volume		11
Cylinder Mass (Kg)	92	Total Volume (Litres)		43
Maximum Pressure (Bar)	190	Max. first stage thrust		130 KN

### \*\*\*TIPPING CAPACITY AT WORKING PRESSURE



BODY LENGTH (BL)						OH
5300		5425		5550		
19	48°	19	47°	18	46°	150
22	51°	21	50°	21	49°	450
27	55°	25	54°	24	52°	750

d = 0; r = 750; Working Pressure 135 bar

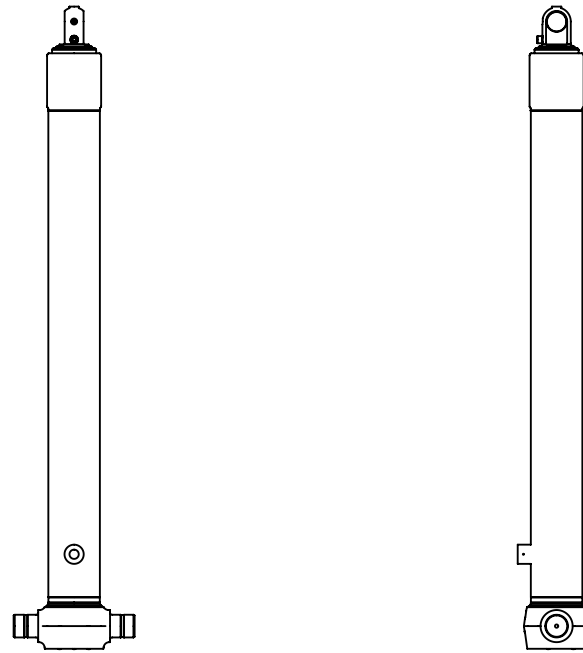
### For guidance only;

Higher working pressures and tipping capacities may be possible.

To check your application email - [applications@edbro.co.uk](mailto:applications@edbro.co.uk)

### NOTES

1. This cylinder is for lifting purposes only and side load conditions should be avoided
2. Cylinder is painted in primer paint to RAL5013
3. Refer to [www.edbro.com](http://www.edbro.com) for:-
  - Bracket details
  - Installation instructions that must be observed
  - Correct oil selection
  - An explanation of tipping capacity



CS110E34094B19A01