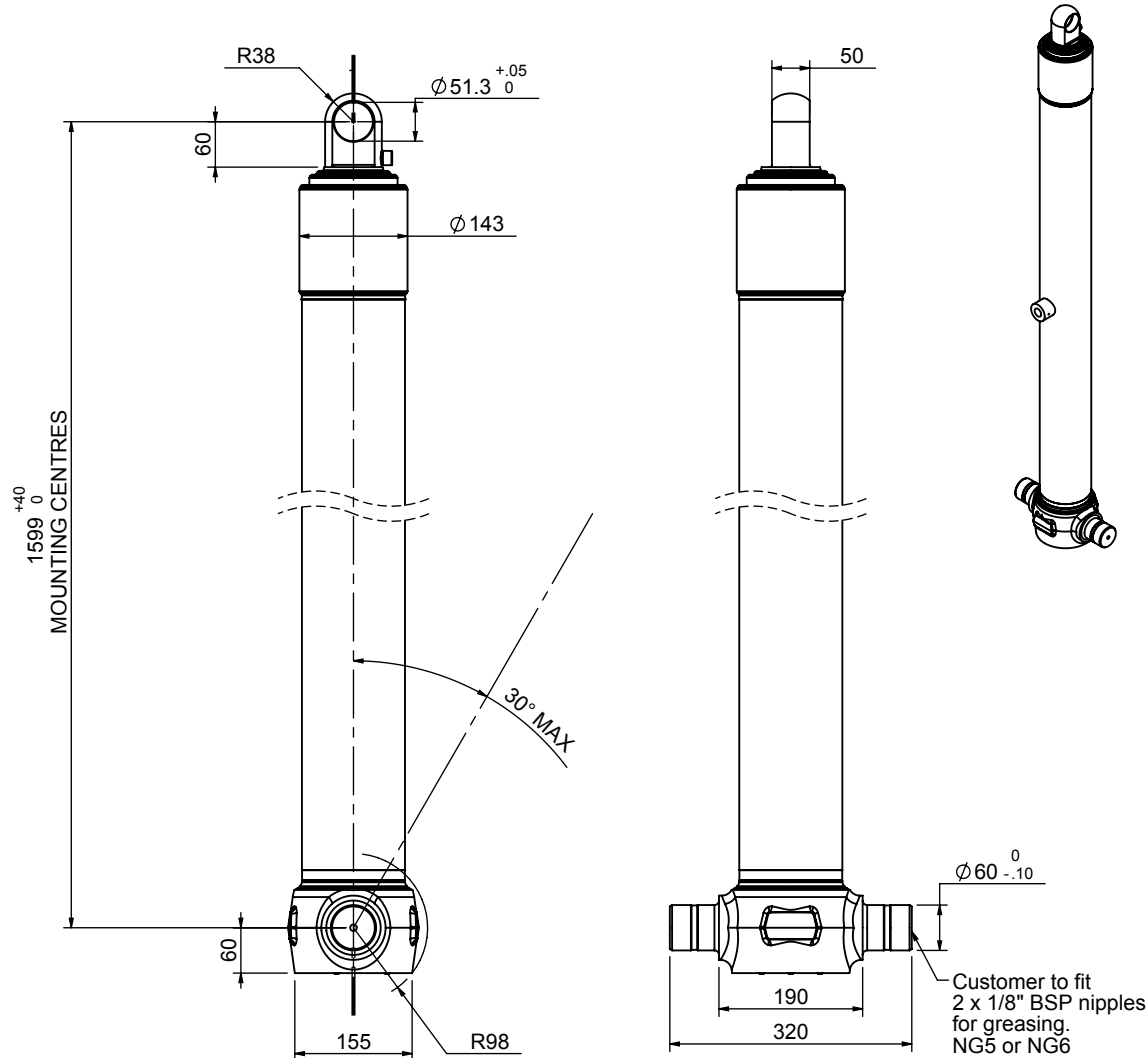


Cylinder 3 stage front end with plain eye

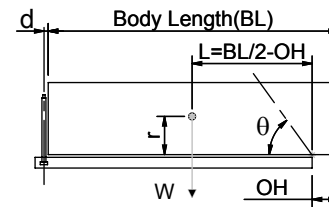
CS110E34094B19A01C



SPECIFICATION		RATED CAPACITY : 22-30 TONNES***		
Stage	Diameter	Length	Stroke	Swept Volume
-	-	-	-	-
-	-	-	-	-
-	-	-	-	-
0	136	1575	-	-
1	117	1540	1354	15
2	98	1540	1367	10
3	79	1540	1372	7
Final stroke reduced by	0	Total (+5/-10)	4093	32
Cylinder Mass (Kg)	88.52	Priming Volume	11.2	
Rated Pressure (Bar)	165	Total Volume (Litres)	43.2	
Maximum Pressure (Bar)	175	Max. first stage thrust	130 KN	

***TIPPING CAPACITY AT RATED PRESSURE

d = 0 ; r = 750



		BODY LENGTH (BL)				OH
		5500	5625	5750		
23	46°	22	45°	22	44°	150
26	49°	25	48°	25	47°	450
30	53°	29	51°	28	50°	750

Tipping angle (θ)
 Body + payload mass, W (tonne)

For guidance only;

Higher Rated Pressures may be possible. To check your application, email Edbro plc at <applications@edbro.co.uk>

NOTES

- If hydraulic pressure is used to limit overloading, the system relief valve must be set to the Rated Pressure unless agreed otherwise by Edbro
- The system relief valve can be set to Maximum Pressure if the load is limited by other means. See RATINGS page for advice
- This cylinder is for lifting purposes only and sload conditions must be avoided
- Cylinder is painted in primer paint to RAL5013
- See bracket options page BRKT01, BRKT02
- See installation instructions INSTALL01
- Use oil according to specification OIL01

*Include 9mm Pull Out
All Stages Fully Chromed



Edbro plc
 Nelson Street, Bolton, Lancashire BL3 2JJ UK
 Tel +44 (0) 1204 528888 Fax +44 (0) 1204 531957
 Email: postmaster@edbro.com Web: www.edbro.com

Technical Specifications are subject to change without notice
 Date Created/Updated: 15 February 2011 14:17:04
 Refer www.edbro.com to confirm latest specification
 All dimensions are in 'mm', unless otherwise stated