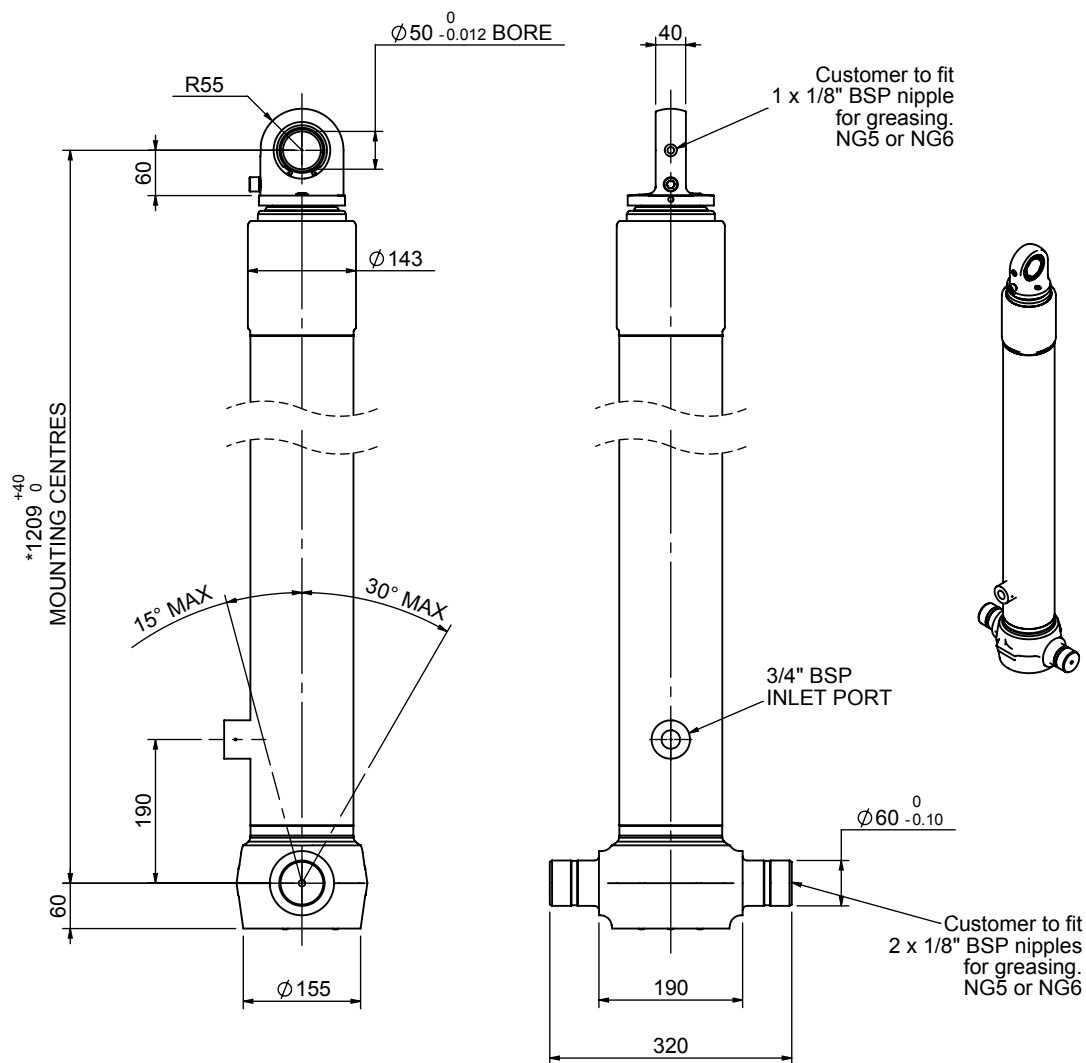


# Cylinder 3 stage front end with spherical eye

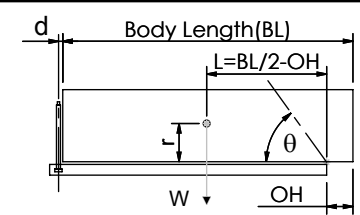
## CS110S32894B19A01



### SPECIFICATION TIPPING CAPACITY : 19-32 TONNES\*\*\*

Stage	Diameter	Length	Stroke	Swept Volume
-	-	-	-	-
-	-	-	-	-
-	-	-	-	-
0	136	1175	-	-
1	117	1140	954	10
2	98	1140	967	7
3	79	1140	972	5
Total (+5/-10)			2893	22
Final stroke reduced by	0	Priming Volume		8
Cylinder Mass (Kg)	74	Total Volume (Litres)		30
Maximum Pressure (Bar)	190	Max. first stage thrust		130 KN

### \*\*\*TIPPING CAPACITY AT WORKING PRESSURE



BODY LENGTH (BL)					OH	
4200	4300	4400				
19	43°	19	42°	19	41°	150
24	47°	23	45°	22	44°	450
32	51°	30	50°	28	48°	750

$d = 0$ ;  $r = 750$ ; Working Pressure 135 bar  
**For guidance only;**  
 Higher working pressures and tipping capacities may be possible.  
 To check your application email - [applications@edbro.co.uk](mailto:applications@edbro.co.uk)

### NOTES

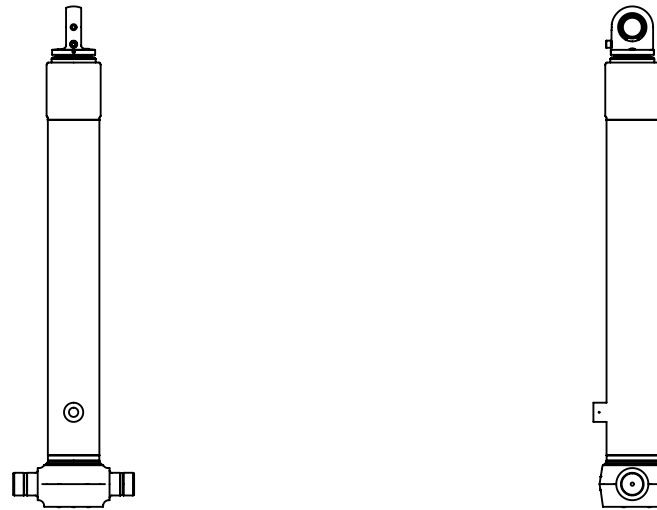
1. This cylinder is for lifting purposes only and side load conditions should be avoided
2. Cylinder is painted in primer paint to RAL5013
3. Refer to [www.edbro.com](http://www.edbro.com) for:-
  - Bracket details
  - Installation instructions that must be observed
  - Correct oil selection
  - An explanation of tipping capacity

\*Includes 9mm Pull Out.  
 Last Stage Chrome Plated



**Edbro plc**  
 Nelson Street, Bolton, England, BL3 2JJ  
 Tel +44 (0) 1204 528888 Fax +44 (0) 1204 531957  
 Email: [postmaster@edbro.com](mailto:postmaster@edbro.com) Web: [www.edbro.com](http://www.edbro.com)

Technical Specifications are subject to change without notice  
 Date Created/Updated: 17 September 2012  
 Refer [www.edbro.com](http://www.edbro.com) to confirm latest specification  
 All dimensions are in 'mm', unless otherwise stated



CS110S32894B19A01