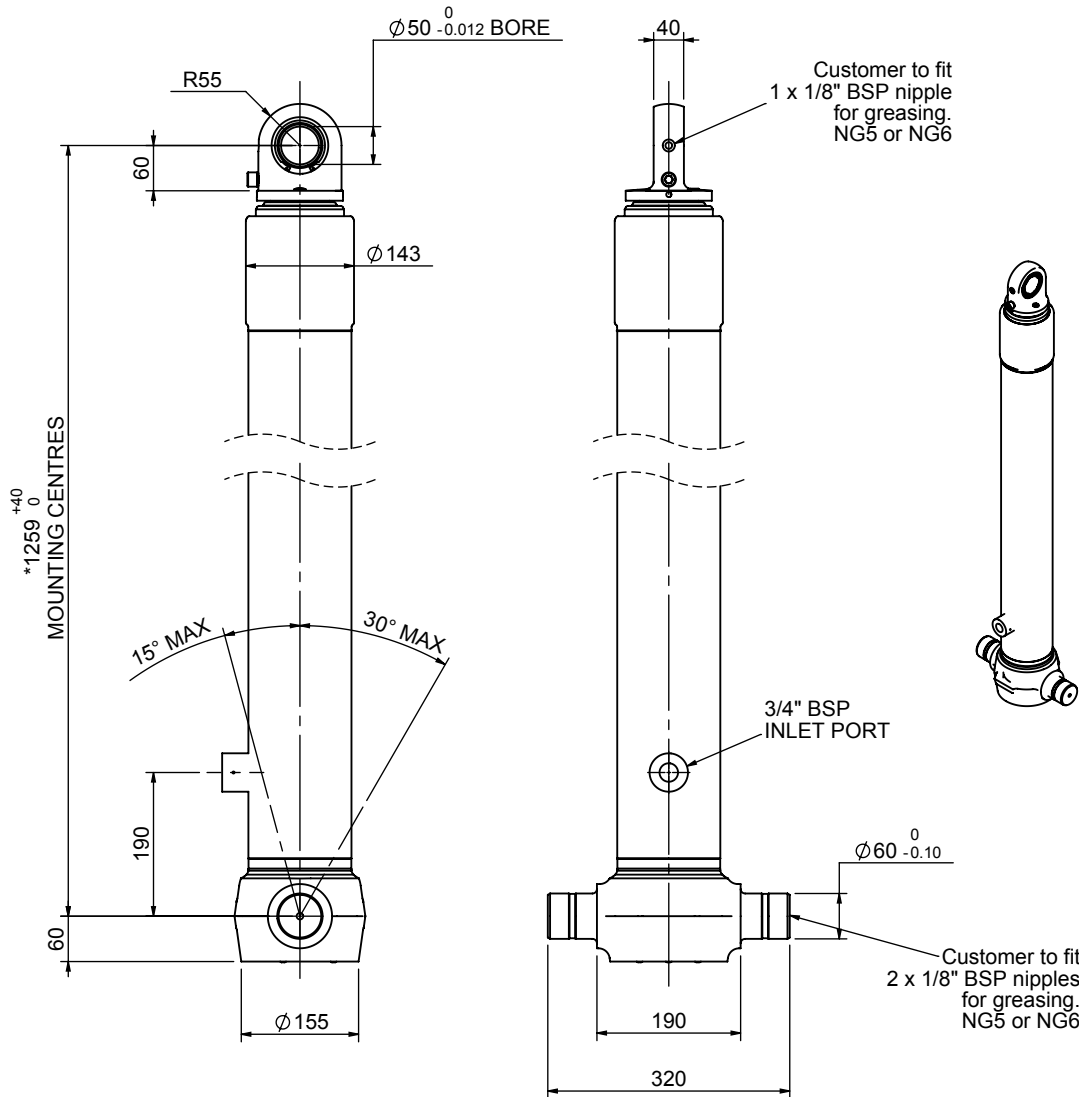


Cylinder 3 stage front end with spherical eye

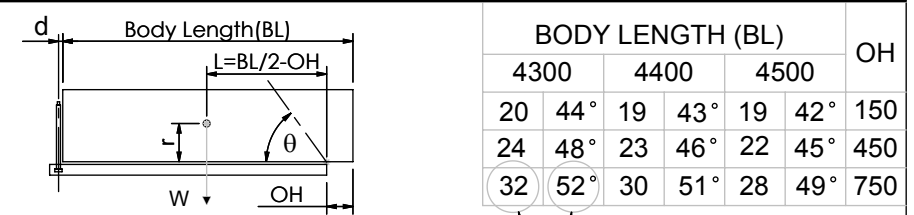
CS110S33044B19A01



SPECIFICATION TIPPING CAPACITY : 19-32 TONNES***

Stage	Diameter	Length	Stroke	Swept Volume
-	-	-	-	-
-	-	-	-	-
-	-	-	-	-
0	136	1225	-	-
1	117	1190	1004	11
2	98	1190	1017	8
3	79	1190	1022	5
Total (+5/-10)			3043	24
Final stroke reduced by	0	Priming Volume	9	
Cylinder Mass (Kg)	76	Total Volume (Litres)	33	
Maximum Pressure (Bar)	190	Max. first stage thrust	130 KN	

***TIPPING CAPACITY AT WORKING PRESSURE



$d = 0; r = 750$; Working Pressure 135 bar
For guidance only;
 Higher working pressures and tipping capacities may be possible.
 To check your application email - applications@edbro.co.uk

NOTES

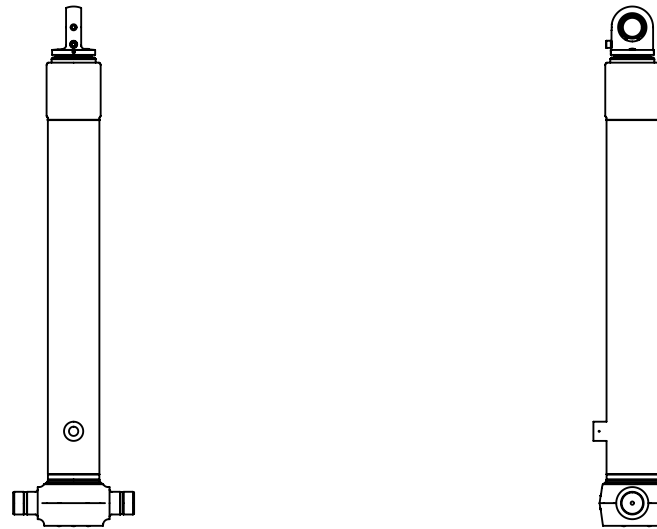
- This cylinder is for lifting purposes only and side load conditions should be avoided
- Cylinder is painted in primer paint to RAL5013
- Refer to www.edbro.com for:-
 - Bracket details
 - Installation instructions that must be observed
 - Correct oil selection
 - An explanation of tipping capacity

*Includes 9mm Pull Out.
 Last Stage Chrome Plated



Edbro plc
 Nelson Street, Bolton, England, BL3 2JJ
 Tel +44 (0) 1204 528888 Fax +44 (0) 1204 531957
 Email: postmaster@edbro.com Web: www.edbro.com

Technical Specifications are subject to change without notice
 Date Created/Updated: 17 September 2012
 Refer www.edbro.com to confirm latest specification
 All dimensions are in 'mm', unless otherwise stated



CS110S33044B19A01