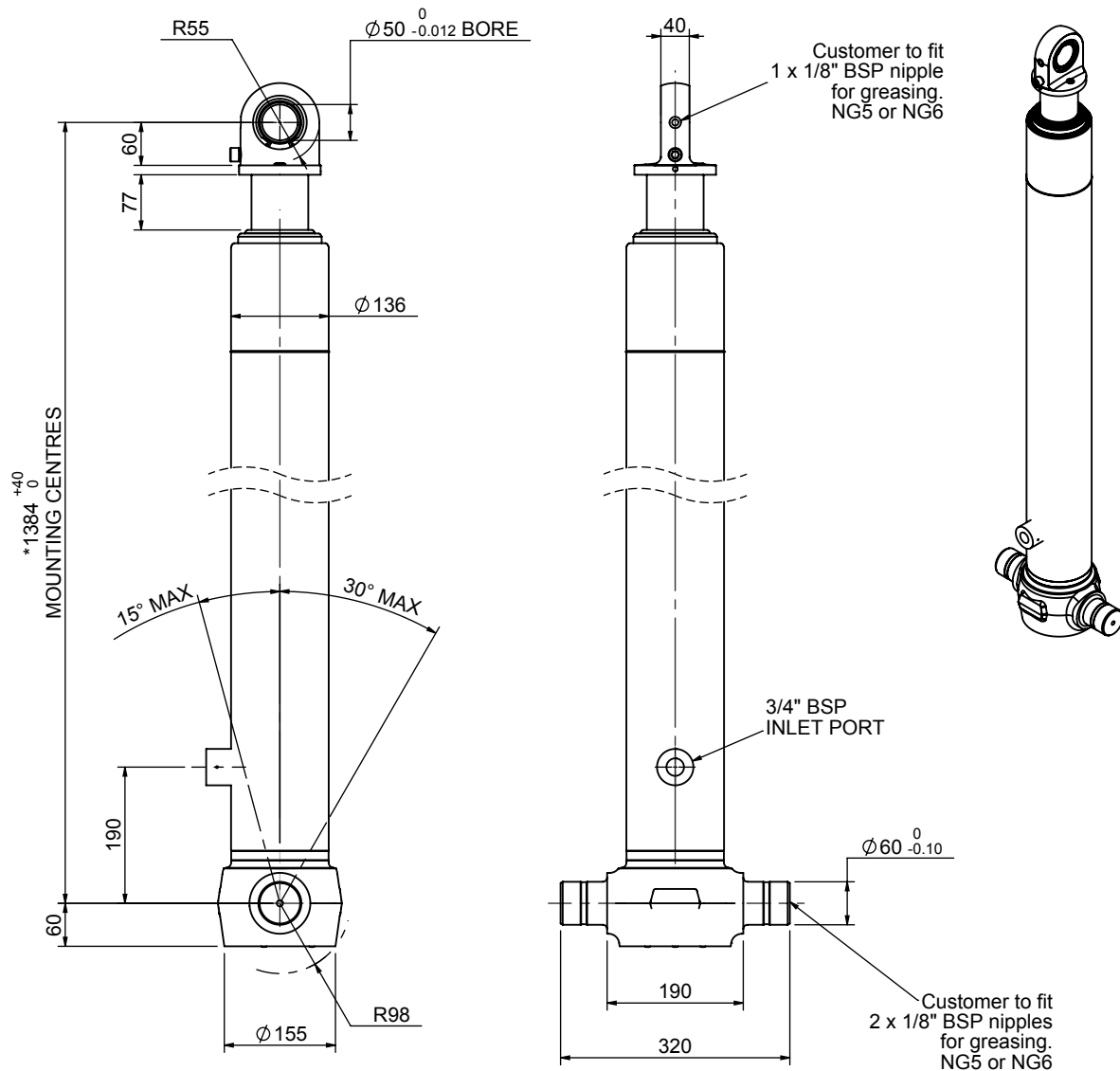


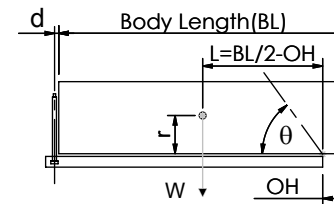
Cylinder 3 stage front end with spherical eye



CS110S33194B19A04

SPECIFICATION		TIPPING CAPACITY : 30-50 TONNES***		
Stage	Diameter	Length	Stroke	Swept Volume
-	-	-	-	-
-	-	-	-	-
-	-	-	-	-
0	136	1275	-	-
1	117	1240	1054	11
2	98	1240	1067	8
3	79	1315	1072	5
Total (+5/-10)			3193	24
Final stroke reduced by	0	Priming Volume		9
Cylinder Mass (Kg)	88	Total Volume (Litres)		33
Maximum Pressure (Bar)	190	Max. first stage thrust		130 KN

***TIPPING CAPACITY AT WORKING PRESSURE



BODY LENGTH (BL)						OH
4350		4550		4750		
30	46°					150
37	50°	35	47°	33	45°	350
50	55°	44	51°	41	48°	600

$d = 0$; $r = 750$; Working Pressure 135 bar

For guidance only;

Higher working pressures and tipping capacities may be possible.

To check your application email - applications@edbro.co.uk

NOTES

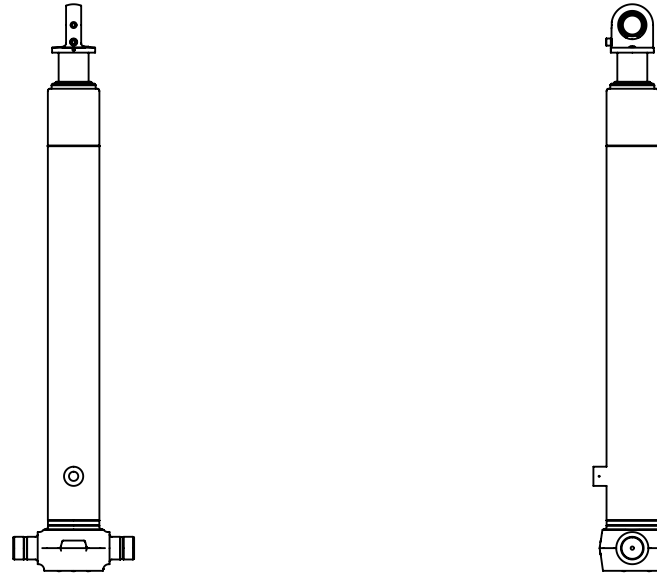
1. This cylinder is for lifting purposes only and side load conditions should be avoided
2. Cylinder is painted in primer paint to RAL5013
3. Refer to www.edbro.com for:-
 - Bracket details
 - Installation instructions that must be observed
 - Correct oil selection
 - An explanation of tipping capacity

*Includes 9mm Pull Out.
Last Stage Chrome Plated

Edbro
SETTING THE INDUSTRY STANDARD

Edbro plc
Nelson Street, Bolton, England, BL3 2JJ
Tel +44 (0) 1204 528888 Fax +44 (0) 1204 531957
Email: postmaster@edbro.com Web: www.edbro.com

Technical Specifications are subject to change without notice
Date Created/Updated: 28 May 2014
Refer www.edbro.com to confirm latest specification
All dimensions are in 'mm', unless otherwise stated



CS110S33194B19A04