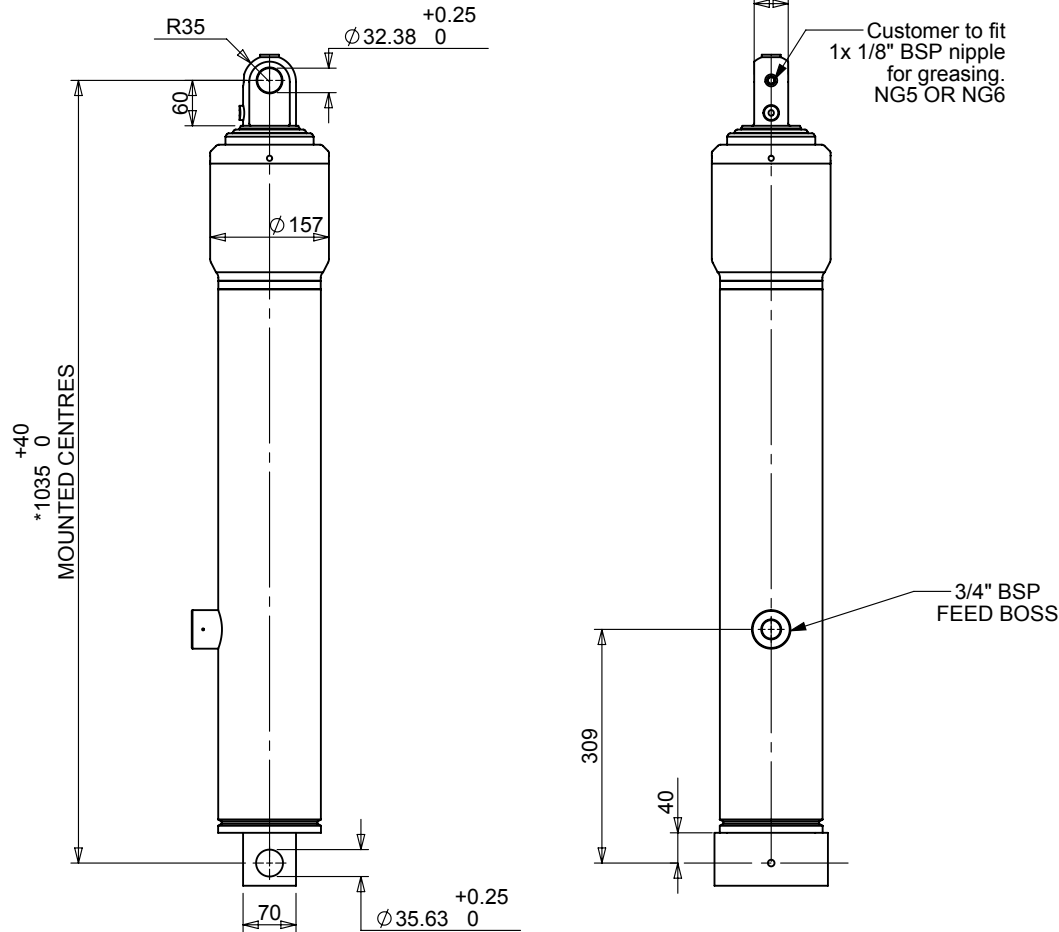


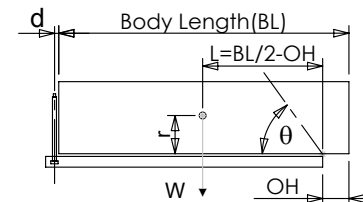
Cylinder 3 stage front end with plain eye

CS11EE302144A200



SPECIFICATION		TIPPING CAPACITY : SEE BELOW***		
Stage	Diameter	Length	Stroke	Swept Volume
-	-	-	-	
-	-	-	-	
-	-	-	-	
0	136	870	-	-
1	117	890	705	7.6
2	98	890	717	5.4
3	79	890	722	3.5
Total (+5/-10)			2144	16.5
Final stroke reduced by	0	Priming Volume		6
Cylinder Mass (kg)	61	Total Volume (Litres)		22.5
Maximum Pressure (Bar)	150	Max. first stage thrust		225 kN

***TIPPING CAPACITY AT WORKING PRESSURE



BODY LENGTH (BL)						OH
8500		9000		9500		
51	50°	48	47°	46	44°	150
55	52°	52	49°	49	46°	450
61	54°	56	51°	53	48°	750

d = 0; r = 900; Working Pressure 135 bar

For guidance only;

Higher working pressures and tipping capacities may be possible.

To check your application email - applications@edbro.co.uk

NOTES

1. This cylinder is for lifting purposes only and side load conditions should be avoided
2. Cylinder is painted in primer paint to RAL5013
3. Refer to www.edbro.com for;-
 - Bracket details
 - Installation instructions that must be observed
 - Correct oil selection
 - An explanation of tipping capacity

*Includes 10mm Pull Out. All Stages Chrome Plated



JOST UK Ltd
 Edbro House, Nelson Street, Bolton, England, BL3 2JJ
 Tel +44 (0) 1204 528888 Fax +44 (0) 1204 531957
 Email: sales@edbro.com Web: www.edbro.com

Technical Specifications are subject to change without notice
 Date Created/Updated: 21 April 2016
 Refer www.edbro.com to confirm latest specification
 All dimensions are in 'mm', unless otherwise stated



CS11EE302144A200