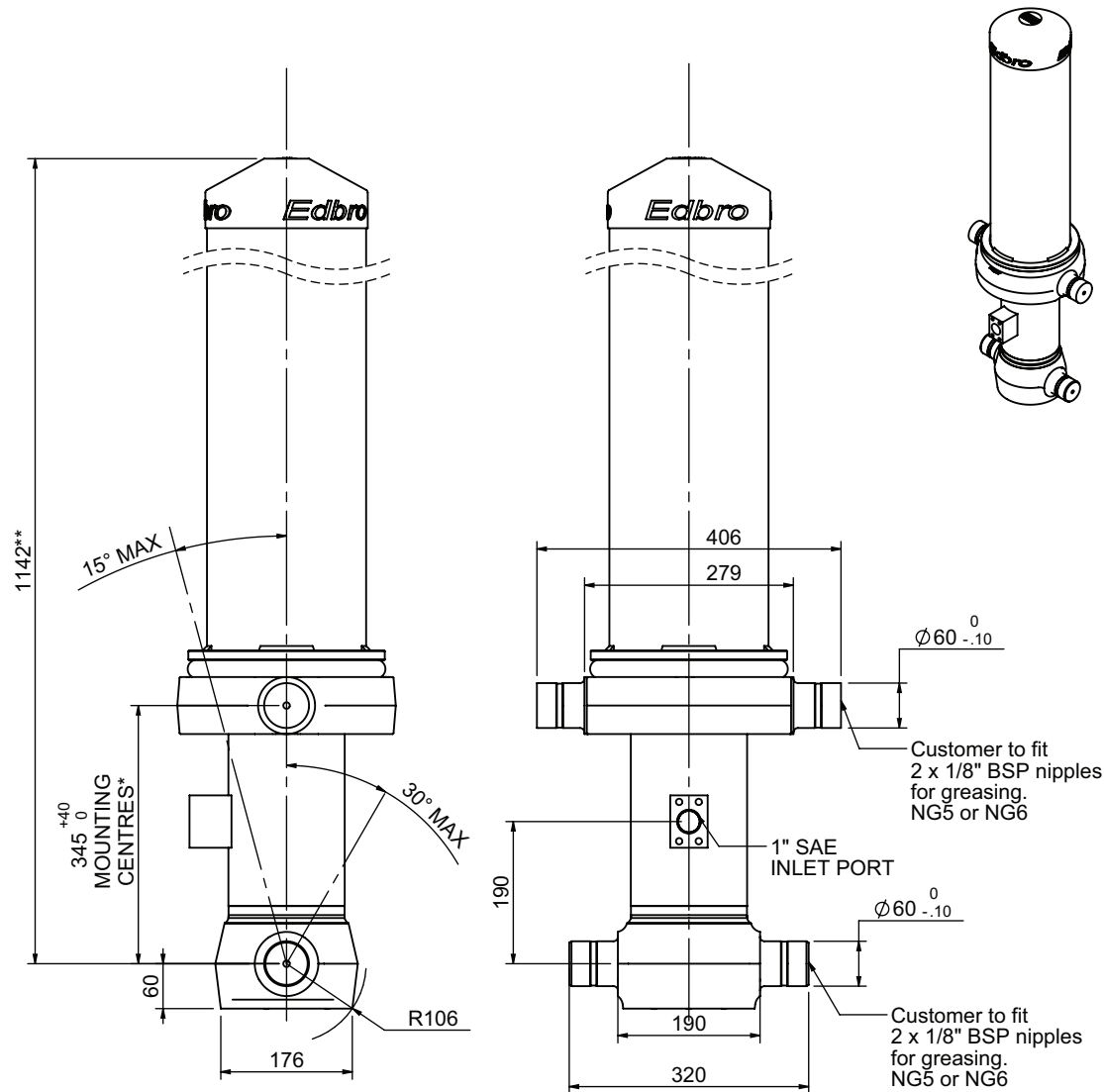


Cylinder 4 stage front end with Outer Cover

**ALLOW 50mm TO REMOVE CAP FOR SERVICING



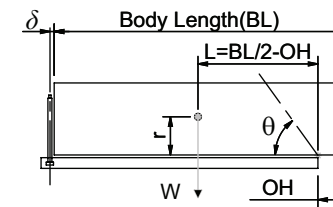
*Include 14mm Pull Out

CS130043441S19A11

SPECIFICATION		RATED CAPACITY : 27-42 TONNES***		
Stage	Diameter	Length	Stroke	Swept Volume
-	-	-	-	-
OUTER COVER	213	755	-	-
0	155	1075	-	-
1	136	1040	833	12
2	117	1040	862	9
3	98	1040	867	7
4	79	1040	872	4
Final stroke reduced by	0	Total (+5/-10)	3434	32
Cylinder Mass (Kg)	144.59	Priming Volume		8
Rated Pressure (Bar)	175	Total Volume (Litres)		40
Maximum Pressure (Bar)	175	Max. first stage thrust		170 KN

***TIPPING CAPACITY AT RATED PRESSURE

d = 178 ; r = 750



BODY LENGTH (BL)					OH	
4250	4500	4750				
31	48°	29	45°	27	42°	150
41	52°	36	48°	33	46°	450
				42	49°	750

Labels: Tipping angle (θ), Body + payload mass, W (tonne)

For guidance only;

Higher Rated Pressures may be possible. To check your application, email Edbro plc at <applications@edbro.co.uk>

NOTES

- If hydraulic pressure is used to limit overloading, the system relief valve must be set to the Rated Pressure unless agreed otherwise by Edbro
- The system relief valve can be set to Maximum Pressure if the load is limited by other means. See RATINGS page for advice
- This cylinder is for lifting purposes only and sload conditions must be avoided
- Cylinder is painted in primer paint to RAL5013
- See bracket options page BRKT01, BRKT02
- See installation instructions INSTALL01
- Use oil according to specification OIL01