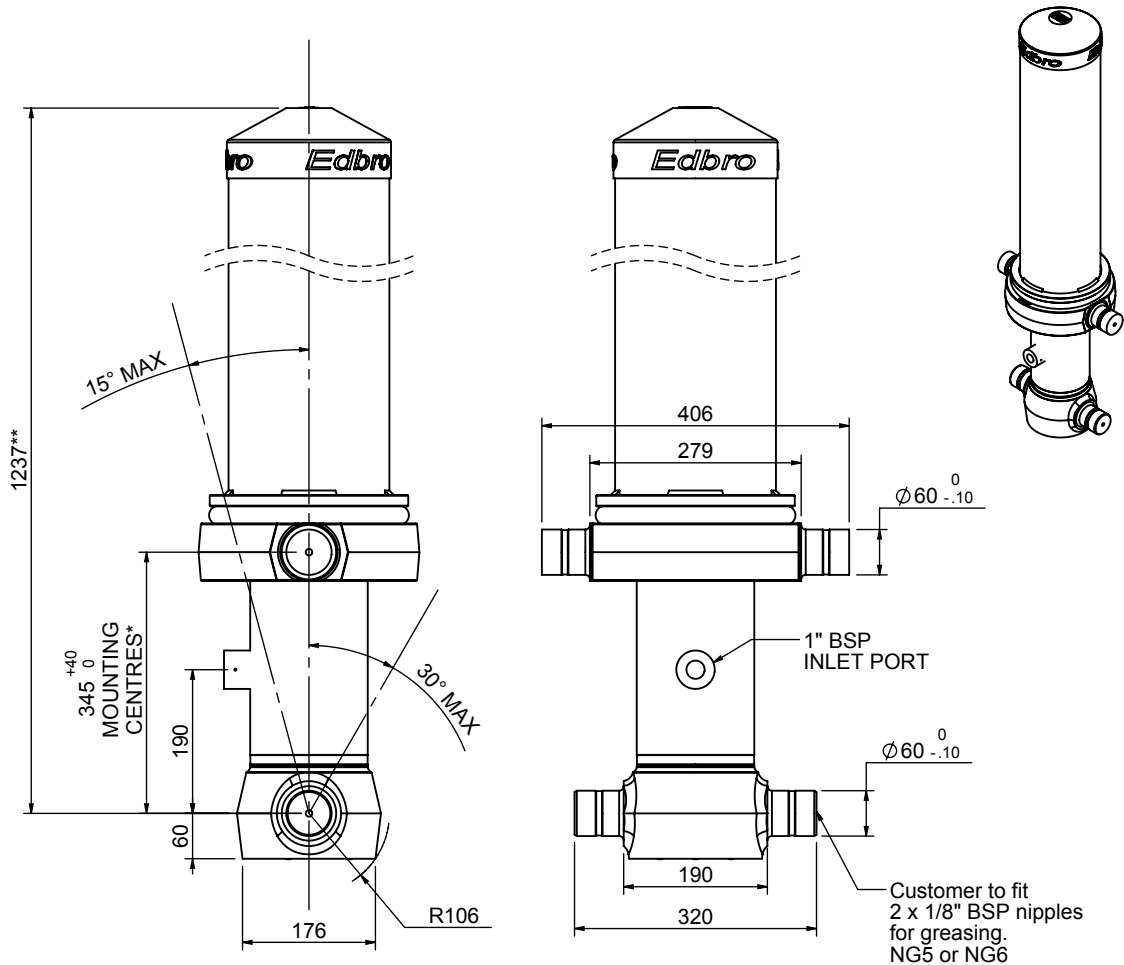


Cylinder 4 stage front end with Outer Cover

****ALLOW 50mm TO REMOVE CAP FOR SERVICING**

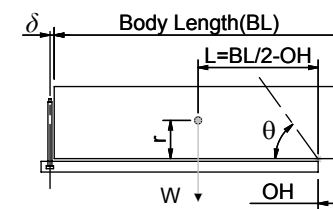


CS130043841B19A11C

SPECIFICATION		RATED CAPACITY : 23-42 TONNES***		
Stage	Diameter	Length	Stroke	Swept Volume
-	-	-	-	-
OUTER COVER	213	840	-	-
0	155	1175	-	-
1	136	1140	938	14
2	117	1140	962	10
3	98	1140	967	7
4	79	1140	972	5
Final stroke reduced by	0	Total (+5/-10)	3839	36
Cylinder Mass (Kg)	157.07	Priming Volume	10.2	
Rated Pressure (Bar)	150	Total Volume (Litres)	46.2	
Maximum Pressure (Bar)	175	Max. first stage thrust	170 KN	

***TIPPING CAPACITY AT RATED PRESSURE

d = 178 ; r = 750



BODY LENGTH (BL)						OH
4750		5000		5250		
25	48°	24	45°	23	43°	150
31	51°	28	48°	26	46°	450
42	55°	36	52°	32	49°	750

For guidance only;

Higher Rated Pressures may be possible. To check your application, email Edbro plc at <applications@edbro.co.uk>

NOTES

- If hydraulic pressure is used to limit overloading, the system relief valve must be set to the Rated Pressure unless agreed otherwise by Edbro
- The system relief valve can be set to Maximum Pressure if the load is limited by other means. See RATINGS page for advice
- This cylinder is for lifting purposes only and sload conditions must be avoided
- Cylinder is painted in primer paint to RAL5013
- See bracket options page BRKT01, BRKT02
- See installation instructions INSTALL01
- Use oil according to specification OIL01

***Include 9mm Pull Out
All Stage Chrome Plated**

Edbro
SETTING THE INDUSTRY STANDARD

Edbro plc
Nelson Street, Bolton, Lancashire BL3 2JJ UK
Tel +44 (0) 1204 528888 Fax +44 (0) 1204 531957
Email: postmaster@edbro.com Web: www.edbro.com

Technical Specifications are subject to change without notice
Date Created/Updated: 23 December 2009 11:10:28
Refer www.edbro.com to confirm latest specification
All dimensions are in 'mm', unless otherwise stated