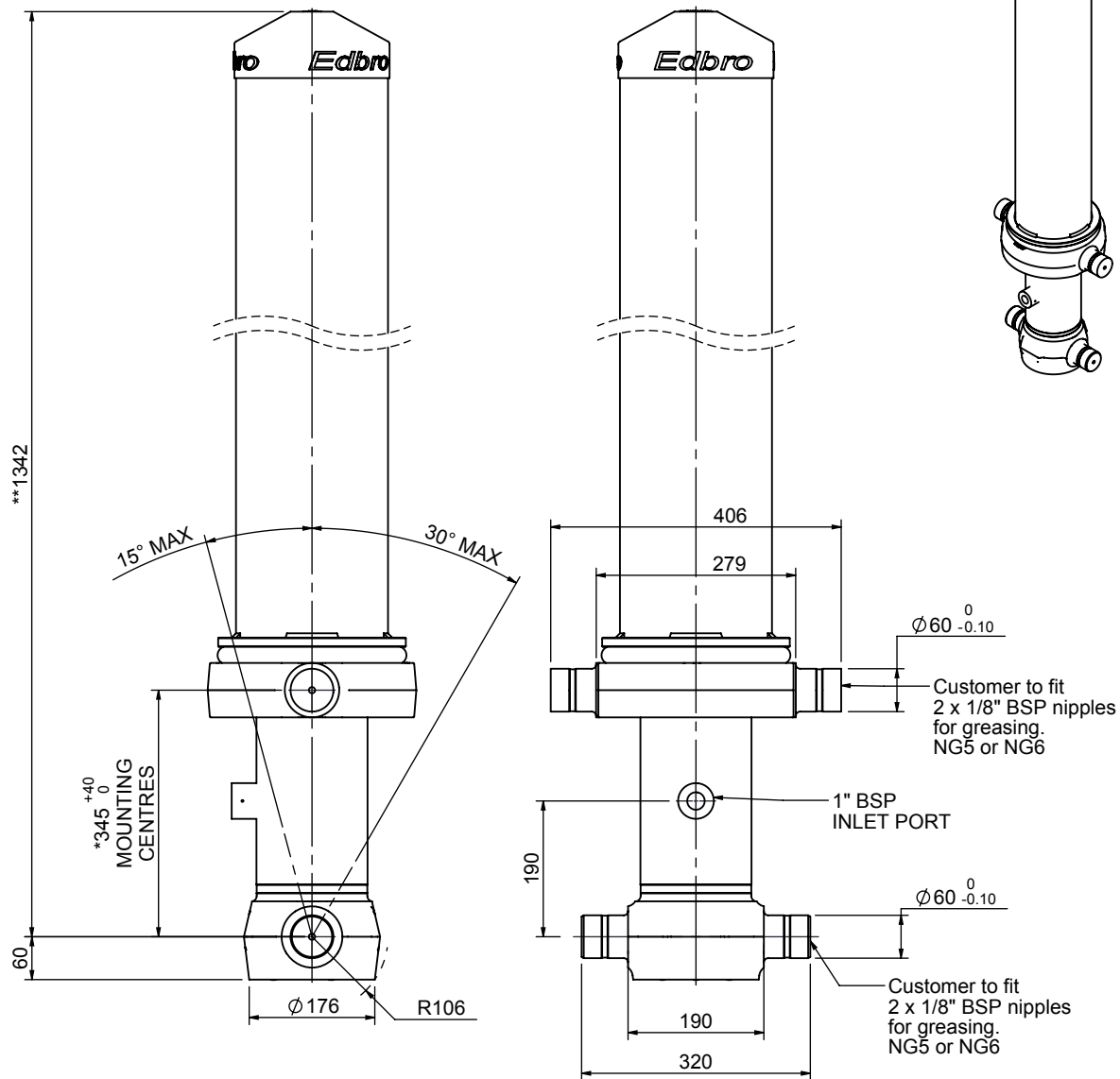


Cylinder 4 stage front end with outer cover

****ALLOW 50mm TO REMOVE CAP FOR SERVICING**

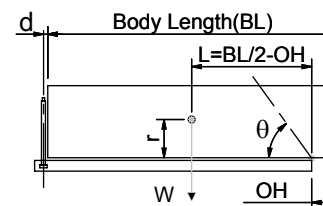


*Includes 14mm Pull Out.

CS130044241B19A11

SPECIFICATION		TIPPING CAPACITY : 26-42 TONNES***		
Stage	Diameter	Length	Stroke	Swept Volume
-	-	-	-	-
OUTER COVER	213	955	-	-
0	155	1275	-	-
1	136	1240	1033	15
2	117	1240	1062	11
3	98	1240	1067	8
4	79	1240	1072	5
Total (+5/-10)			4234	39
Final stroke reduced by	0	Priming Volume		11
Cylinder Mass (Kg)	160	Total Volume (Litres)		50
Maximum Pressure (Bar)	190	Max. first stage thrust		170 KN

***TIPPING CAPACITY AT WORKING PRESSURE



BODY LENGTH (BL)						OH
5250		5500		5750		
28	48°	27	45°	26	43°	150
34	51°	31	48°	29	46°	450
42	54°	38	51°	35	49°	750

$d = 178$; $r = 750$; Working Pressure 175 bar

Tipping angle (θ)

Body + payload mass, W (tonne)

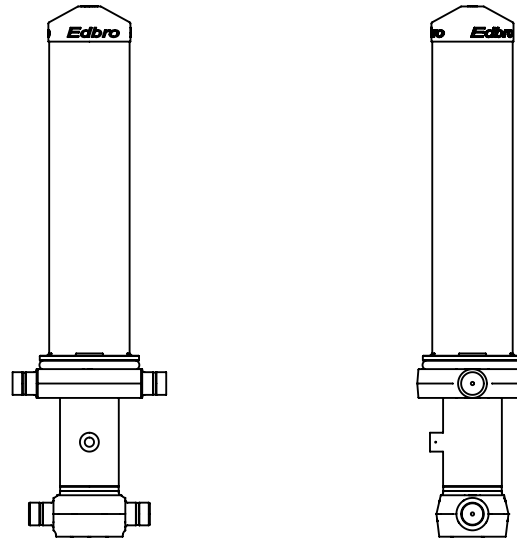
For guidance only;

Higher working pressures and tipping capacities may be possible.

To check your application email - applications@edbro.co.uk

NOTES

1. This cylinder is for lifting purposes only and side load conditions should be avoided
2. Cylinder is painted in primer paint to RAL5013
3. Refer to www.edbro.com for:-
 - Bracket details
 - Installation instructions that must be observed
 - Correct oil selection
 - An explanation of tipping capacity



CS130044241B19A11