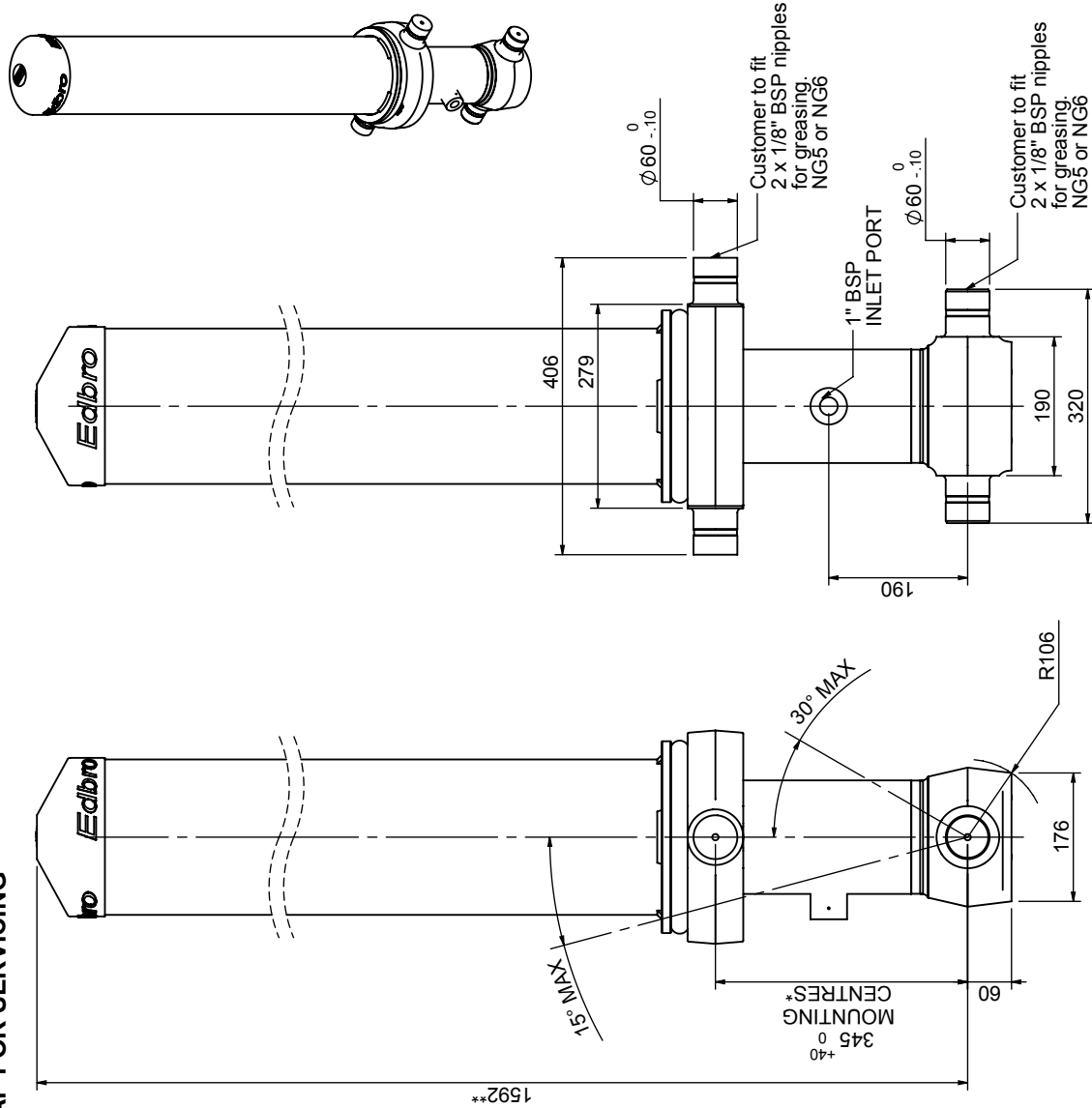


Cylinder 4 stage front end with Outer Cover

CS130044891B19H11C

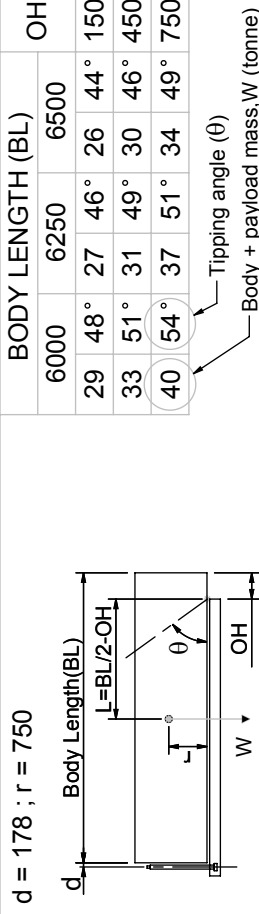
****ALLOW 50mm TO REMOVE CAP FOR SERVICING**



SPECIFICATION		RATED CAPACITY : 26-40 TONNES***		
Stage	Diameter	Length	Stroke	Swept Volume
-	-	-	-	-
OUTER COVER				
0	213	1205	-	-
1	155	1525	-	-
2	136	1490	1283	19
3	117	1490	1312	14
4	98	1490	1317	10
	79	1490	972	5
Final stroke reduced by	350	Total (+5/-10)	4884	48
Cylinder Mass (Kg)	185.61	Priming Volume		14
Rated Pressure (Bar)	175	Total Volume (Litres)		62
Maximum Pressure (Bar)	175	Max. first stage thrust		170 KN

***TIPPING CAPACITY AT RATED PRESSURE

d = 178 ; r = 750



For guidance only;

Higher Rated Pressures may be possible. To check your application, email Edbro plc at <applications@edbro.co.uk>

NOTES

- If hydraulic pressure is used to limit overloading, the system relief valve must be set to the Rated Pressure unless agreed otherwise by Edbro
- The system relief valve can be set to Maximum Pressure if the load is limited by other means. See RATINGS page for advice
- This cylinder is for lifting purposes only and sideload conditions must be avoided
- Cylinder is painted in primer paint to RAL5013
- See bracket options page BRKT01, BRKT02
- See installation instructions INSTALL01
- Use oil according to specification OIL01

***Include 14mm Pull Out All Stages Chrome Plated**



Edbro plc
 Nelson Street, Bolton, Lancashire BL3 2JJ UK
 Tel +44 (0) 1204 528888 Fax +44 (0) 1204 531957
 Email: postmaster@edbro.com Web: www.edbro.com

Technical Specifications are subject to change without notice
 Date Created/Updated: 06 July 2012 12:24:48
 Refer www.edbro.com to confirm latest specification
 All dimensions are in 'mm', unless otherwise stated