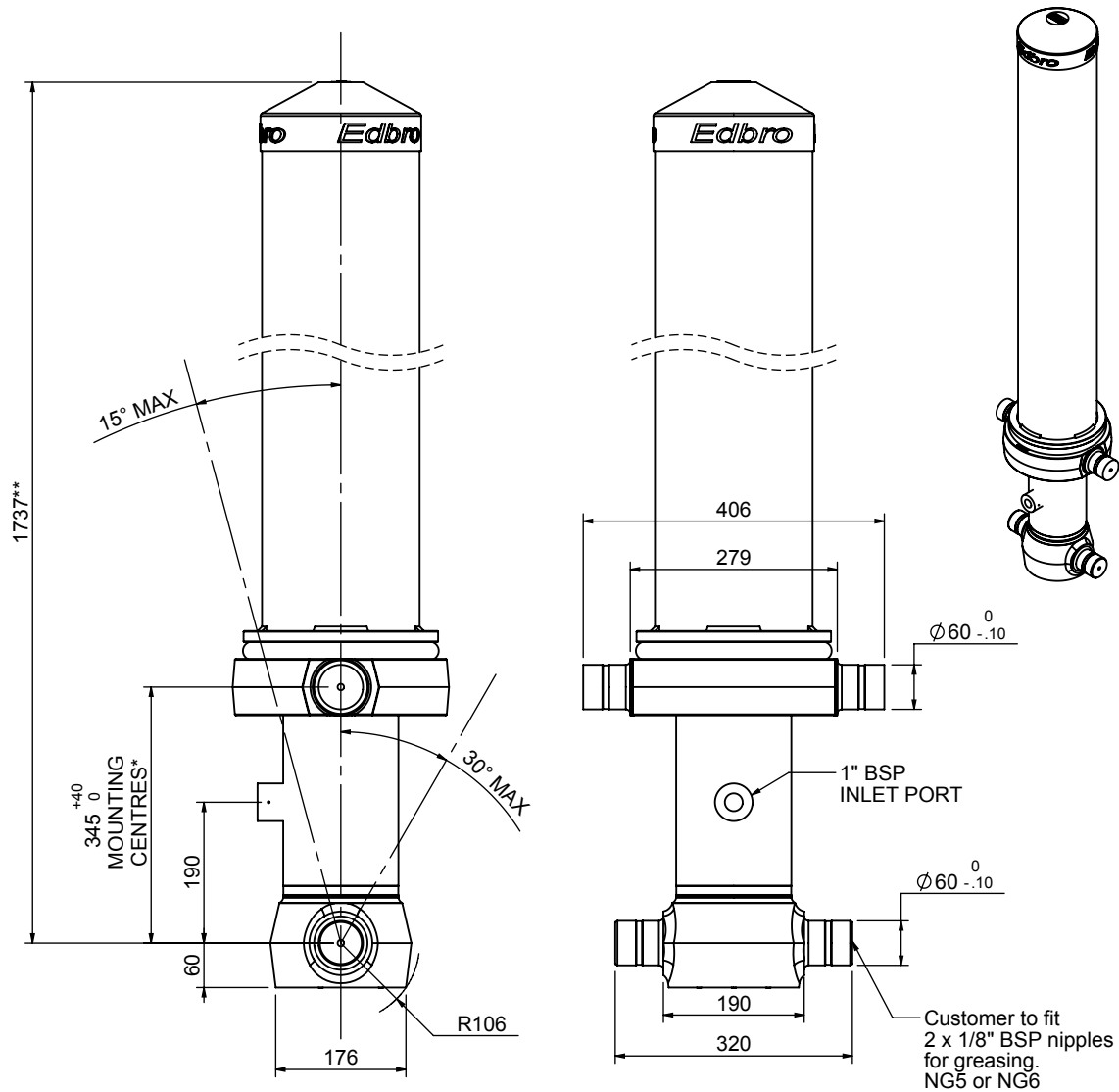


Cylinder 4 stage front end with Outer Cover

****ALLOW 50mm TO REMOVE CAP FOR SERVICING**



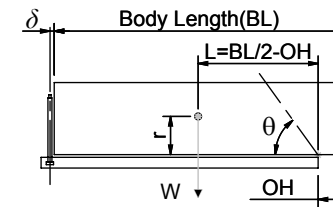
***Include 9mm Pull Out**

CS130045841B19A11

SPECIFICATION		RATED CAPACITY : 24-33 TONNES***		
Stage	Diameter	Length	Stroke	Swept Volume
-	-	-	-	-
OUTER COVER	213	1340	-	-
0	155	1675	-	-
1	136	117	1438	21
2	117	117	1462	16
3	98	117	1467	11
4	79	117	1472	7
Final stroke reduced by	0	Total (+5/-10)	5839	55
Cylinder Mass (Kg)	283.67	Priming Volume		14.5
Rated Pressure (Bar)	175	Total Volume (Litres)		69.5
Maximum Pressure (Bar)	175	Max. first stage thrust		170 KN

***TIPPING CAPACITY AT RATED PRESSURE

$d = 178 ; r = 750$



BODY LENGTH (BL)					OH	
7000		7500		8000		
26	49°	25	46°	24	43°	150
29	52°	27	48°	26	45°	450
33	54°	30	50°	28	47°	750

Tipping angle (θ)
 Body + payload mass, W (tonne)

For guidance only;

Higher Rated Pressures may be possible. To check your application, email Edbro plc at <applications@edbro.co.uk>

NOTES

- If hydraulic pressure is used to limit overloading, the system relief valve must be set to the Rated Pressure unless agreed otherwise by Edbro
- The system relief valve can be set to Maximum Pressure if the load is limited by other means. See RATINGS page for advice
- This cylinder is for lifting purposes only and sload conditions must be avoided
- Cylinder is painted in primer paint to RAL5013
- See bracket options page BRKT01, BRKT02
- See installation instructions INSTALL01
- Use oil according to specification OIL01

Edbro
SETTING THE INDUSTRY STANDARD

Edbro plc
Nelson Street, Bolton, Lancashire BL3 2JJ UK
Tel +44 (0) 1204 528888 Fax +44 (0) 1204 531957
Email: postmaster@edbro.com Web: www.edbro.com

Technical Specifications are subject to change without notice
Date Created/Updated: 23 December 2009 07:36:25
Refer www.edbro.com to confirm latest specification
All dimensions are in 'mm', unless otherwise stated