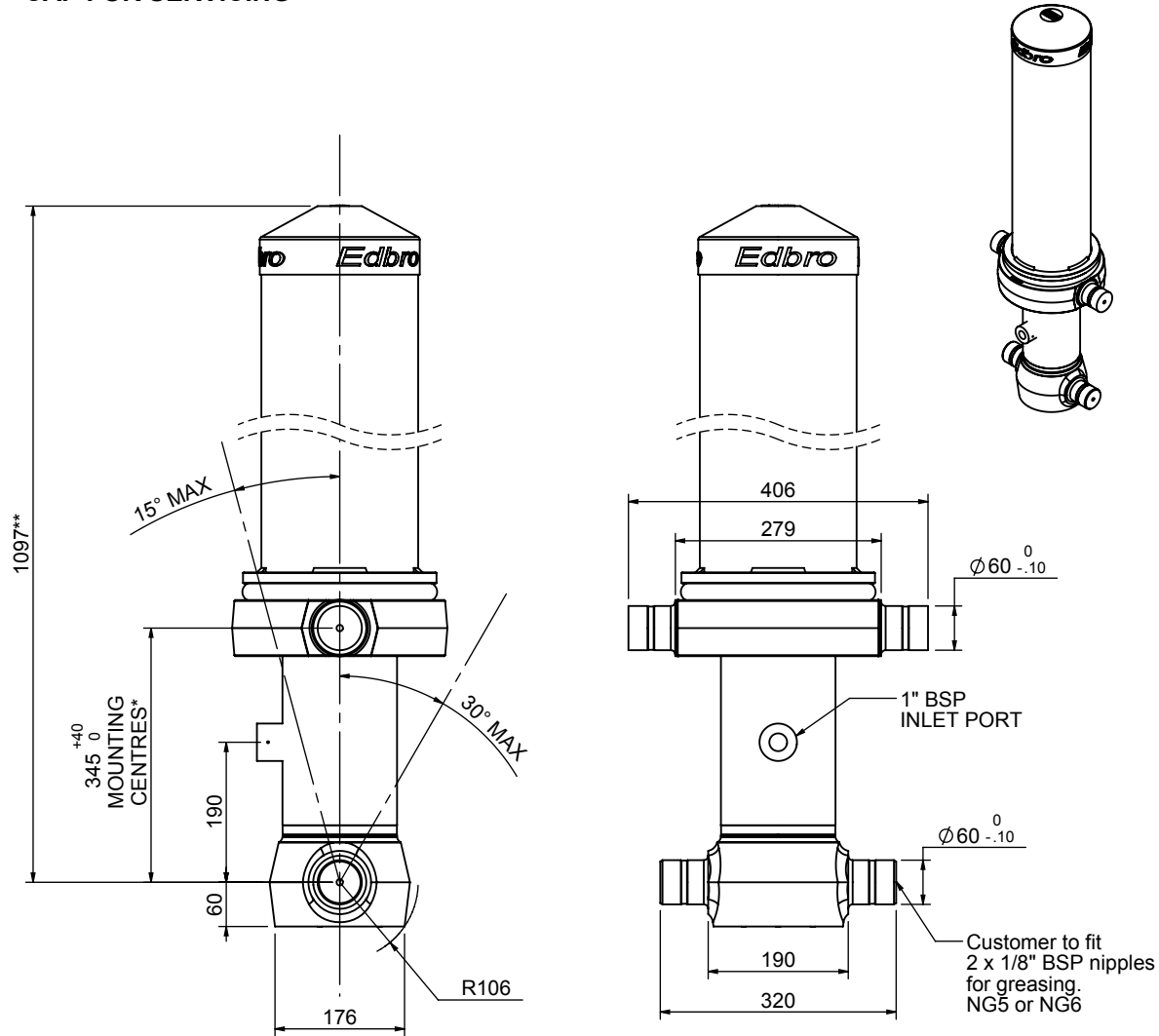


Cylinder 5 stage front end with Outer Cover

****ALLOW 50mm TO REMOVE CAP FOR SERVICING**

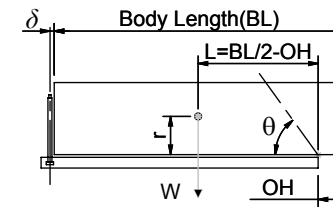


CS130054068B19A11C

SPECIFICATION		RATED CAPACITY : 17-32 TONNES***		
Stage	Diameter	Length	Stroke	Swept Volume
OUTER COVER	213	700	-	-
0	136	1025	-	-
1	136	990	787	11
2	117	990	812	9
3	98	990	817	6
4	79	990	822	4
5	63	990	827	3
Final stroke reduced by	0	Total (+5/-10)	4065	33
Cylinder Mass (Kg)	143.97	Priming Volume	7.7	
Rated Pressure (Bar)	175	Total Volume (Litres)	40.7	
Maximum Pressure (Bar)	175	Max. first stage thrust	170 KN	

***TIPPING CAPACITY AT RATED PRESSURE

d = 178 ; r = 750



	BODY LENGTH (BL)				OH	
	5000	5250	5500			
20	48°	18	46°	17	43°	150
24	51°	22	49°	20	46°	450
32	55°	28	52°	25	49°	750

Tipping angle (θ)
 Body + payload mass, W (tonne)

For guidance only;

Higher Rated Pressures may be possible. To check your application, email Edbro plc at <applications@edbro.co.uk>

NOTES

- If hydraulic pressure is used to limit overloading, the system relief valve must be set to the Rated Pressure unless agreed otherwise by Edbro
- The system relief valve can be set to Maximum Pressure if the load is limited by other means. See RATINGS page for advice
- This cylinder is for lifting purposes only and sload conditions must be avoided
- Cylinder is painted in primer paint to RAL5013
- See bracket options page BRKT01, BRKT02
- See installation instructions INSTALL01
- Use oil according to specification OIL01

***Include 10mm Pull Out
All Stages Chrome Plated**

Edbro
SETTING THE INDUSTRY STANDARD

Edbro plc
Nelson Street, Bolton, Lancashire BL3 2JJ UK
Tel +44 (0) 1204 528888 Fax +44 (0) 1204 531957
Email: postmaster@edbro.com Web: www.edbro.com

Technical Specifications are subject to change without notice
Date Created/Updated: 23 December 2009 11:36:14
Refer www.edbro.com to confirm latest specification
All dimensions are in 'mm', unless otherwise stated