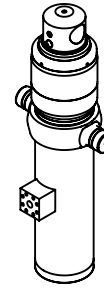
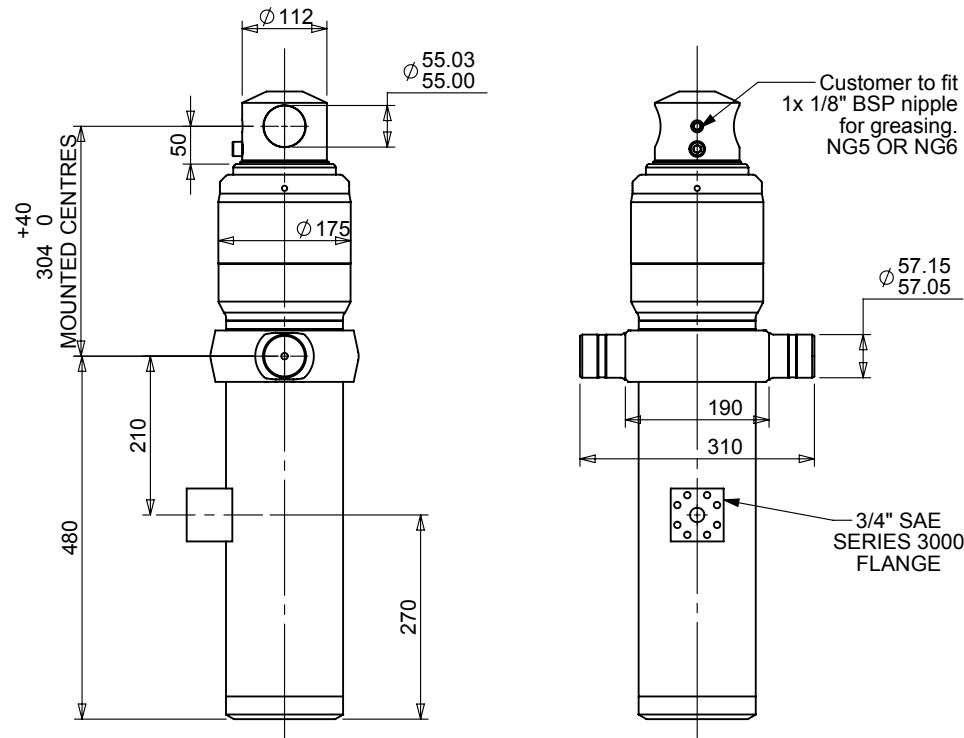


Cylinder 2 stage front end with plain eye

CS130E200993B519



SPECIFICATION

SEE BELOW***

Stage	Diameter	Length	Stroke	Swept Volume
-	-	-	-	
-	-	-	-	
-	-	-	-	
-	-	-	-	
0	155	695	-	
1	136	685	486	7
2	117	685	507	5
Total (+5/-10)			993	12
Final stroke reduced by	0	Priming Volume		10
Cylinder Mass (kg)	63	Total Volume (Litres)		22
Maximum Pressure (Bar)	200	Working Pressure (Bar)		200

ADDITIONAL INFORMATION

For guidance only;

Higher working pressures and tipping capacities may be possible.
To check your application email - applications@edbro.co.uk

NOTES

1. This cylinder is for lifting purposes only and side load conditions should be avoided
2. Cylinder is painted in primer paint to RAL5013
3. Refer to www.edbro.com for;-
 - Bracket details
 - Installation instructions that must be observed
 - Correct oil selection
 - An explanation of tipping capacity

*Includes 9mm Pull Out. All Stages Chrome Plated



JOST UK Ltd
Edbro House, Nelson Street, Bolton, England, BL3 2JJ
Tel +44 (0) 1204 528888 Fax +44 (0) 1204 531957
Email: sales@jost-world.com Web: www.edbro.com

Technical Specifications are subject to change without notice
Date Created/Updated: 24 May 2019
Refer www.edbro.com to confirm latest specification
All dimensions are in 'mm', unless otherwise stated